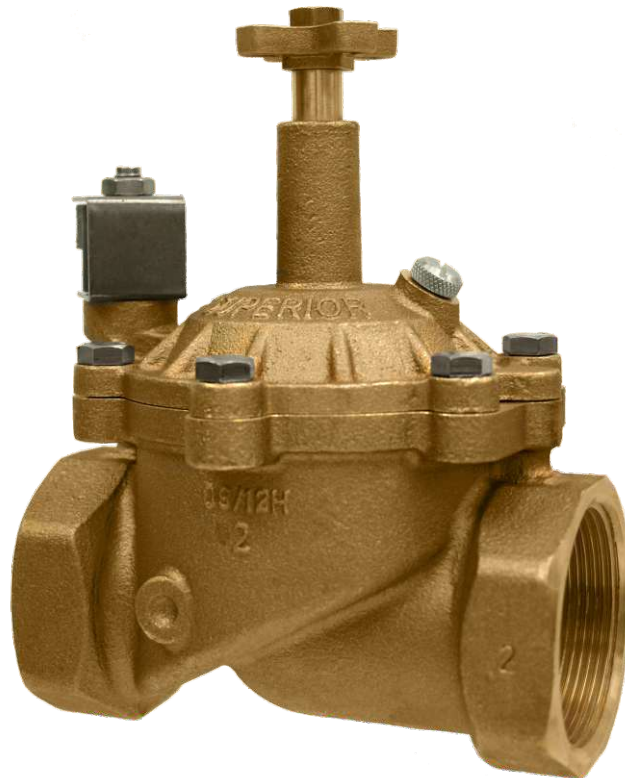


## Superior 950

Superior is your best choice for brass valves. The 950 Series offers the dependable product performance, quality, and value that you have relied on for years.

- Two-Piece Internal Assembly w/ Superior Shield™ Diaphragm Protection
- Parts Compatibility on all 950 Valves
- Recycled Water Model Options
- Expert Technical Support



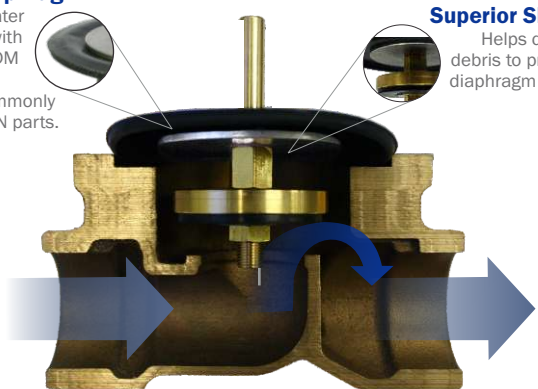
950200

## Diaphragm Reliability

Advanced two-piece internal assembly offers diaphragm protection by shielding diaphragm from flow path.

### EPDM Diaphragm

Recycled water protection with durable EPDM diaphragm outlasts commonly used Buna-N parts.



### Superior Shield™

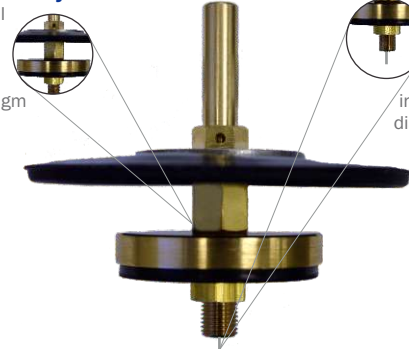
Helps deflect debris to prevent diaphragm tears.

## Debris Tolerance

Advanced porting design with self-cleaning metering rod system ensures that only "clean" water enters the diaphragm chamber, protecting the diaphragm for longer life.

### Two-Piece Assembly

Two-piece internal assembly offers diaphragm protection by removing diaphragm from flow path.



### Cleaning Rod

Self-Cleaning metering rod prevents debris from entering inlet orifice to upper diaphragm chamber.

## Models



**950**

Electric Diaphragm Valve



**950DW**

Electric Diaphragm Valve w/ Dirty Water Filter



**950DWIB**

Electric Diaphragm Valve w/ Dirty Water Filter and Internal Bleed Feature



**950PRS**

Electric Diaphragm Valve w/ Dirty Water Filter, Internal Bleed Feature and Pressure Reg. System

### How To Specify / Order

**950 100 DWIB RW\***

| Model             | Size         | Option1   | Option2                          |
|-------------------|--------------|---|----------------------------------|
| 950 - 24V Coil    | 075 = 3/4"   | DW = Dirty Water  | RW = Reclaimed Water             |
| 925 - 12V Coil    | 100 = 1"     | DWIB = Dirty Water w/ Internal Bleed                    | (Purple Cross Handle)            |
| 960 - DC Latching | 125 = 1-1/4" | PRS = Pressure Regulating (Includes DW & DWIB Features) |                                  |
| 975 - 110V Coil   | 150 = 1-1/2" |   |                                  |
| 980 - 220v Coil   | 200 = 2"     |   |                                  |
|                   | 250 = 2-1/2" |   |                                  |
|                   | 300 = 3"     | SD = Nickel Plated Bleed Screw                          | *Leave blank if no option chosen |

### Solenoid Specifications

#### Standard 24 VAC

In-rush current: 0.45 A (10.8 VA)  
Holding current: 0.30 A (7.2 VA)

#### Optional 110 VAC

In-rush current: 95 mA (10.5 VA)  
Holding current: 0.65 mA (7.2 VA)

#### DC Latching (Superior Model 960)

Requires a pulse between 12DC and 24VDC

### Operating Ranges

**Flow:** 5 - 360 gpm  
**Pressure:** 20 - 200 psi

### Pressure Loss in PSI

| GPM | 3/4" | 1"   | 1-1/4" | 1-1/2" | 2"   | 2-1/2" | 3"   |
|-----|------|------|--------|--------|------|--------|------|
| 5   | 0.45 | 0.16 |        |        |      |        |      |
| 10  | 1.75 | 0.75 |        |        |      |        |      |
| 15  | 4    | 1.5  | 0.48   |        |      |        |      |
| 20  | 7    | 2.6  | 0.85   | 0.45   |      |        |      |
| 30  |      | 5.7  | 1.9    | 1      |      |        |      |
| 40  |      | 10   | 3.5    | 1.7    | 0.53 |        |      |
| 50  |      |      | 5.3    | 2.65   | 0.82 |        |      |
| 60  |      |      | 7.6    | 3.8    | 1.2  |        |      |
| 70  |      |      | 10.1   | 5.1    | 1.6  |        |      |
| 80  |      |      |        | 6.6    | 2.05 |        |      |
| 90  |      |      |        | 8.3    | 2.6  |        |      |
| 100 |      |      |        | 10.9   | 3.2  | 2.38   | 2.38 |
| 120 |      |      |        |        | 4.6  | 2.45   | 2.45 |
| 140 |      |      |        |        | 6.3  | 2.5    | 2.5  |
| 160 |      |      |        |        | 8    | 2.9    | 2.9  |
| 200 |      |      |        |        | 13.9 | 4      | 4    |
| 240 |      |      |        |        |      | 6      | 6    |
| 260 |      |      |        |        |      | 8.2    | 8.2  |
| 320 |      |      |        |        |      | 10.7   | 10.7 |
| 360 |      |      |        |        |      | 13.2   | 13.2 |