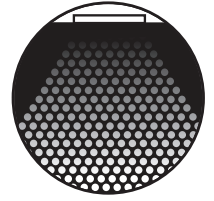


# UNIQUE

LIGHTING SYSTEMS®

## Sovereign 5 & 8

Step Light  
Knights Series

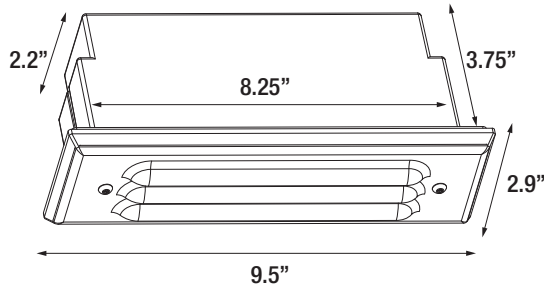
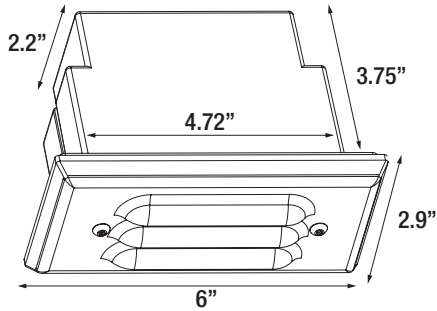


### PRODUCT SPECIFICATIONS

PROJECT:	
MODEL #:	
LAMP(S):	
NOTES:	

- 360°  
BEAM  
SPREAD
- 82+  
CRI
- SOLID  
BRASS
- 25'  
WIRE  
LEAD
- AMC
- HUB READY

Frosted Lens



### Specifications:

- Solid brass construction
- Specification grade beryllium copper socket
- Premium grade direct burial cable
- Frosted borosilicate lens
- 2W max. LED lamp / 20W max. halogen
- Mounting hardware included
- Weathered brass finish standard
- 15 year warranty

### Light Distribution Cones: N/A

**NOTE:** Light cones are depicted without supplied lenses. Maximum wattage shown, for all other wattage options please refer to [uniquelighting.com/beamspreads](http://uniquelighting.com/beamspreads).

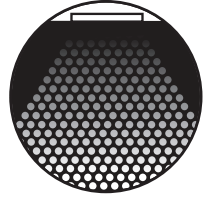


UL 2108:2004 R12.07  
CSA C22.2.9.0-96 (R2006)

Unique Lighting Systems® reserves the right to modify the design and/or construction of the fixture shown without further notification.

© Unique Lighting Systems® • 5825 Jasmine Street, Riverside, CA 92504 • Customer Service - 800.955.4831 • Order Services - 800.654.1882

[www.uniquelighting.com](http://www.uniquelighting.com)



**Fixtures**

**Part Number**

SV5L-12-L2  
SV5L-12-L27  
SV5L-NL  
SV5L-NL-50  
S5FL-NL  
S5FL-NL-P  
SLBX5-NL  
SV8L-12-L1  
SV8L-12-L2  
SV8L-12-L27  
SV8L-NL  
SV8L-NL-50  
S8FL-NL  
S8FL-NL-P  
SLBX8-NL

**Description**

SVN5 LOUVER BR 12V LED 2W 30K 25'WL WB  
SVN5 LOUVER BR 12V LED 2W 27K 25'WL WB  
SVN5 LOUVER BR NL 25'WL WB  
SVN5 LOUVER BR NL 50'WL WB  
SVN5 LOUVER FACEPLATE ONLY NL WB  
SVN5 LOUVER FACEPLATE ONLY NL WB, PNT  
STEPLIGHT BOX, 5", COMP, NL, 25'WL  
SVN8 LOUVER BR 12V LED 1W 30K 25'WL WB  
SVN8 LOUVER BR 12V LED 2W 30K 25'WL WB  
SVN8 LOUVER BR 12V LED 2W 27K 25'WL WB  
SVN8 LOUVER BR NL 25'WL WB  
SVN8 LOUVER BR NL 50'WL WB  
SOVEREIGN8 LOUVER FACEPLATE ONLY NL WB  
SOVEREIGN8 LOUVER FACEPLATE ONLY NL PNT  
STEPLIGHT BOX, 8", COMP, NL, 25'WL

**Accessories**

**Part Number**

N/A

**Description**

**Finishes**

**Standard Finish**

WB - Weathered Brass

**Powder Coated Finishes**

WH - White  
BK - Black  
VG - Verde Green  
TT - Tucson Tan  
TK - Titanium Knight

**Custom Colors**

P - Painted

Stock powder coated colors displayed are subject to varying lead-times and will incur an additional cost. A Limited Warranty applies to all powder coated products.

Custom colors are available upon request. Please inquire about cost and lead times. Contact factory for custom colors and matching paint options.