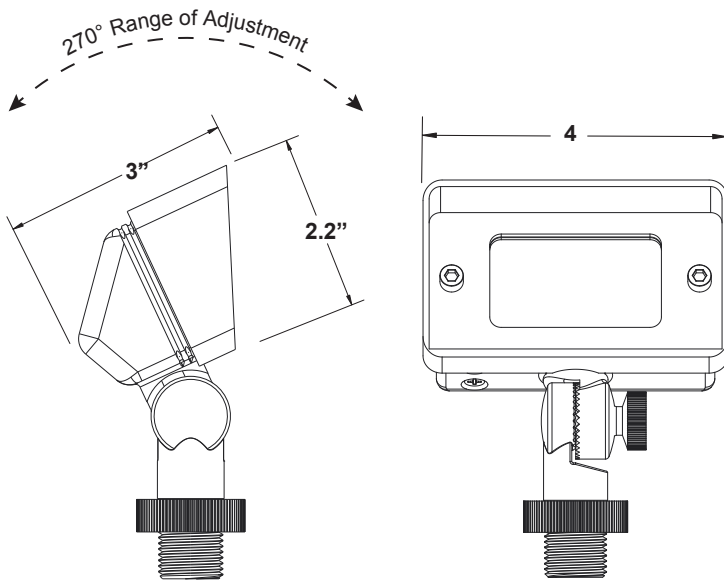
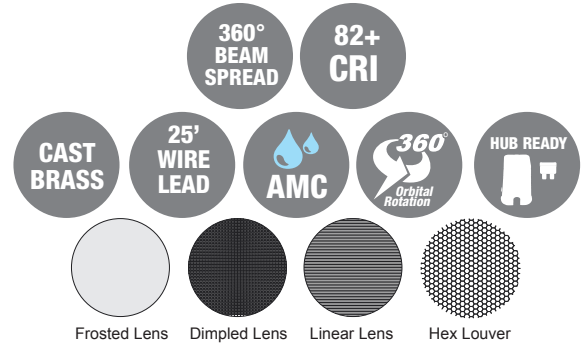


PRODUCT SPECIFICATIONS

PROJECT:	
MODEL #:	
LAMP(S):	
NOTES:	



Specifications:

- Solid cast brass construction
- Machined brass thumb screw
- Silicone gasket seal
- Specification grade, beryllium copper socket
- Premium grade direct burial cable
- AMC - Anti-Moisture Connections
- 2W max. LED lamp / 20W max. halogen
- Slotted composite stake with brass threaded insert included
- Weathered brass finish standard
- Limited lifetime warranty

Light Distribution Cones: N/A

NOTE: Light cones are depicted without supplied lenses. Maximum wattage shown, for all other wattage options please refer to uniquelighting.com/beamspreads.



UL 2108:2004 R12.07
CSA C22.2.9.0-96 (R2006)

Unique Lighting Systems® reserves the right to modify the design and/or construction of the fixture shown without further notification.



Fixtures

Part Number

STEL-12-L1
STEL-12-L2
STEL-12-L27
STEL-NL
STEL-NL-0
STEL-NL-50
STEL-NL-P
STEL-12-20

Description

STELLAR BR 12V LED 1W 30K 25'WL WB
STELLAR BR 12V LED 2W 30K 25'WL WB
STELLAR BR 12V LED 2W 27K 25'WL WB
STELLAR BR NL 25'WL WB
STELLAR BR NL NWL WB
STELLAR BR NL 50'WL WB
STELLAR BR NL 25'WL PNT
STELLAR BR 12V 20W 25'WL WB

Accessories

Part Number

SPHEREBASE SB
ZEROG-WB
6RISER
12RISER
24RISER
12ADJRISER
24ADJRISER

Description

Round Mounting Base
Docking Post W/Brass Cap
6" Brass Riser
12" Brass Riser
24" Brass Riser
12" Adjustable Brass Riser WB
24" Adjustable Brass Riser WB

Finishes

Standard Finish

WB - Weathered Brass

Powder Coated Finishes

WH - White
BK - Black
VG - Verde Green
TT - Tucson Tan
TK - Titanium Knight

Custom Colors

P - Painted

Stock powder coated colors displayed are subject to varying lead-times and will incur an additional cost. A Limited Warranty applies to all powder coated products.

Custom colors are available upon request. Please inquire about cost and lead times. Contact factory for custom colors and matching paint options.