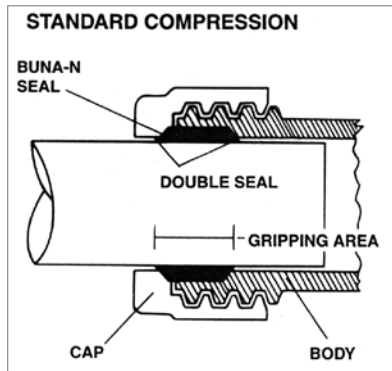


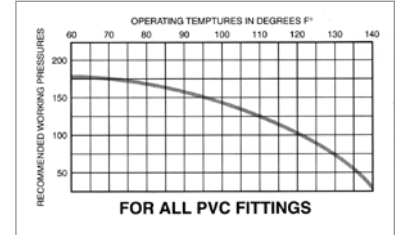


PVC Compression Fittings - IPS



PVC Compression Fitting Features:

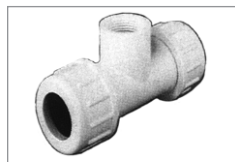
- Iron pipe size
- For use with cold water only.
- Buna-N gasket seals
- Rated at 150 PSI static pressure @ 72°F



CPC Series IPS

NSF/ANSI 61+372

UPC



CPT-T Series IPS

NSF/ANSI 61+372



CPT-S Series IPS

NSF/ANSI 61+372

UPC

NEW Part Number	OLD Part Number	IPS Size	Body Length	Ctn Qty	List Price
PVC IPS Compression Couplings, comp x comp					
CPC0500	110-05	1/2"	4"	28	\$ 5.82
CPC0750	110-07	3/4"	4-1/4"	24	7.62
CPC1000	110-10	1"	4-1/2"	15	9.90
CPC1250	110-12	1-1/4"	5"	10	15.19
CPC1500	110-15	1-1/2"	5-1/2"	16	15.69
CPC2000	110-20	2"	6"	12	20.41
CPC2500	110-25	2-1/2"	8"	3	38.38
CPC3000	110-30	3"	9"	3	50.23
CPC4000	110-40	4"	10"	3	82.61
CPC6000	110-60	6"	10"	1	191.90
PVC IPS Threaded Tee, comp x comp x fipt					
CPT0500T	120-05	1/2"	4"	24	8.88
CPT0750T	120-07	3/4"	4-1/4"	20	11.56
CPT1000T	120-10	1"	4-1/2"	15	15.29
CPT1250T	120-12	1-1/4"	5"	15	19.34
CPT1500T	120-15	1-1/2"	5-1/2"	12	22.20
CPT2000T	120-20	2"	6"	10	31.63
PVC IPS Slip Tees, comp x comp x slip					
CPT0500S	121-05	1/2"	4"	24	8.88
CPT0750S	121-07	3/4"	4-1/4"	20	11.56
CPT1000S	121-10	1"	4-1/2"	15	15.29
CPT1250S	121-12	1-1/4"	5"	15	19.34
CPT1500S	121-15	1-1/2"	5-1/2"	12	20.20
CPT2000S	121-20	2"	6"	10	31.63