

UNIQUE

LIGHTING SYSTEMS®

Quasar 1 Down Light Odyssey Series



PRODUCT SPECIFICATIONS

PROJECT:	
MODEL #:	
LAMP(S):	
NOTES:	

20°- 40°- 60°
BEAM SPREAD

82+ CRI

SOLID BRASS

25' WIRE LEAD

AMC

**360°
Orbital Rotation**

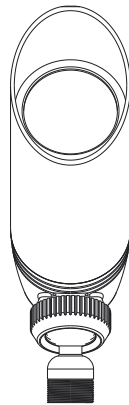
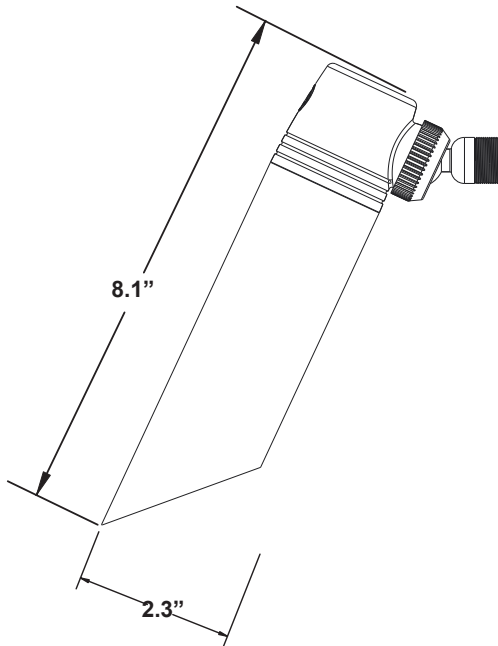
HUB READY

Frosted Lens

Dimpled Lens

Linear Lens

Hex Louver



Specifications:

- Solid brass construction
- High temperature silicone o-rings
- Specification grade, beryllium copper socket
- Premium grade direct burial cable
- AMC - Anti-Moisture Connections
- Revolutionary ball and joint Orbital Mount allowing a 360° rotation
- 8W max. LED lamp / 35W max. halogen
- Dome mounting base included
- Weathered brass finish standard
- Limited lifetime warranty

Light Distribution Cones:

LED-8W-CM6FL27K

	Illuminance at a Distance		
	Center Beam fc	Beam Width	
4.3R	81.8 fc	3.0 ft	3.1 ft
8.7R	20.0 fc	6.2 ft	6.2 ft
13.0R	8.95 fc	9.2 ft	9.2 ft
17.3R	5.06 fc	12.3 ft	12.3 ft
21.7R	3.21 fc	15.4 ft	15.4 ft
26.0R	2.24 fc	18.4 ft	18.4 ft

■ Vert. Spread: 39.0°
■ Horiz. Spread: 39.1°

LED-8W-CM6FL30K

	Illuminance at a Distance		
	Center Beam fc	Beam Width	
4.3ft	86.1 fc	3.0 ft	3.0 ft
8.7ft	21.0 fc	6.1 ft	6.0 ft
13.0ft	9.42 fc	9.1 ft	9.0 ft
17.3ft	5.32 fc	12.1 ft	12.0 ft
21.7ft	3.38 fc	15.2 ft	15.0 ft
26.0ft	2.35 fc	18.2 ft	18.0 ft

■ Vert. Spread: 38.5°
■ Horiz. Spread: 38.2°

NOTE: Light cones are depicted without supplied lenses. Maximum wattage shown, for all other wattage options please refer to uniquelighting.com/beamspreads.

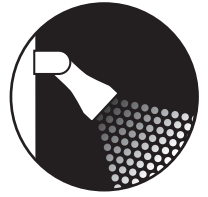


UL 2108:2004 R12.07
CSA C22.2.9.0-96 (R2006)

Unique Lighting Systems® reserves the right to modify the design and/or construction of the fixture shown without further notification.

© Unique Lighting Systems® • 5825 Jasmine Street, Riverside, CA 92504 • Customer Service - 800.955.4831 • Order Services - 800.654.1882

www.uniquelighting.com



Fixtures

Part Number

QUA1-12-L327
QUA1-12-L427
QUA1-12-L430
QUA1-12-L527
QUA1-12-L530
QUA1-NL
QUA1-NL-0
QUA1-NL-50
QUA1-NL-P
QUA1-NL-WH

Description

QUASAR1 BR 12V LED 3W 27K 25"WL WB
QUASAR1 BR 12V LED 4W 27K 25"WL WB
QUASAR1 BR 12V LED 4W 30K 25"WL WB
QUASAR1 BR 12V LED 5W 27K 25"WL WB
QUASAR1 BR 12V LED 5W 30K 25"WL WB
QUASAR1 BR NL 25"WL WB
QUASAR1 BR NL NWL WB
QUASAR1 BR NL 50"WL WB
QUASAR1 BR NL 25"WL PNT
QUASAR1 BR NL 25"WL WH

Accessories

Part Number

SPHEREBASE SB

Description

Round Mounting Base

Finishes

Standard Finish

WB - Weathered Brass

Powder Coated Finishes

WH - White
BK - Black
VG - Verde Green
TT - Tucson Tan
TK - Titanium Knight

Custom Colors

P - Painted

Stock powder coated colors displayed are subject to varying lead-times and will incur an additional cost. A Limited Warranty applies to all powder coated products.

Custom colors are available upon request. Please inquire about cost and lead times. Contact factory for custom colors and matching paint options.