

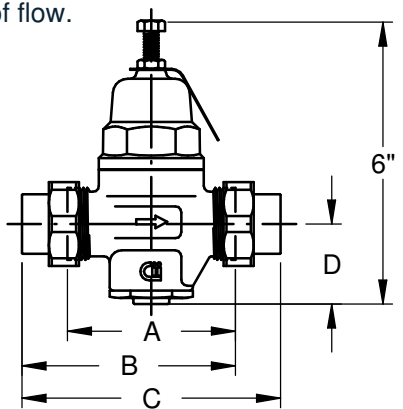
MODEL PRC & PRCLF 1/2"-1" (36C & 36CLF SERIES) PRESSURE REDUCING VALVE WITH INTEGRAL BY-PASS FEATURE



Installation

Prior to installing the PRC & PRCLF, all debris should be flushed from the line. Isolate the section where PRC or PRCLF is to be installed by closing the appropriate shut-off valves. Refer to Table 1 below for length dimensions for the size and end configuration of the PRC or PRCLF you plan to install. The PRC & PRCLF is designed to be installed in a piping system with the arrow on the valve pointing in the direction of flow.

TABLE 1 Dimensions (inches)	Non-union (npt x npt)		Inlet-union (npt, solder or meter x npt)		Double-union (npt, solder or solder x solder)	
Size	1/2" & 3/4"	1"	1/2" & 3/4"	1"	1/2" & 3/4"	1"
A	3 1/2"	3 3/4"	N/A	N/A	N/A	N/A
B	N/A	N/A	4 13/32"	4 3/4"	N/A	N/A
C	N/A	N/A	N/A	N/A	5 3/8"	5 7/8"
D	1 5/8"	1 1/2"	1 5/8"	1 1/2"	1 5/8"	1 1/2"

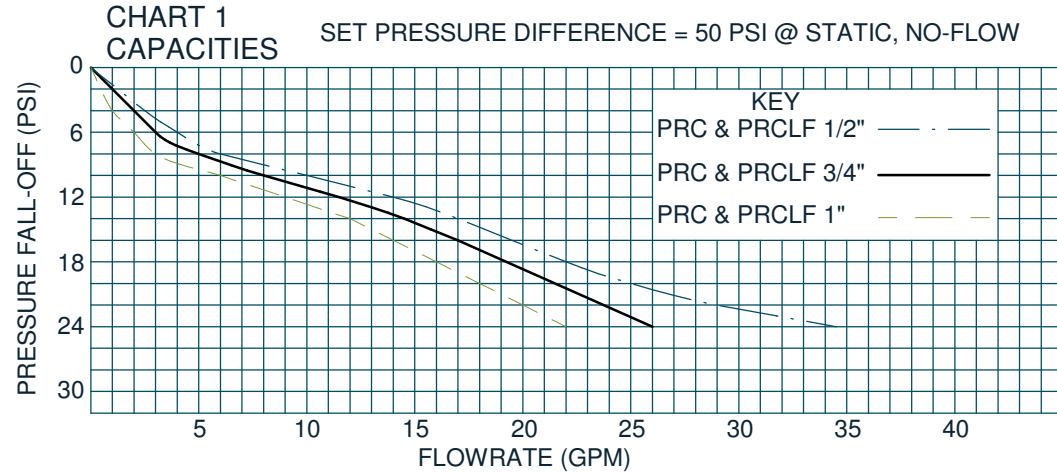


NOTE: If a solder union is to be used, sweat the union tailpiece and nut onto the pipe prior to installing the PRC assembly, otherwise the heat could damage the assembly components.

Operation

The PRC & PRCLF are designed to reduce pressures up to 400 psi to a more functional level within its adjustment range. The standard PRC is factory set at 50 psi outlet pressure and is adjustable from 25 to 75 psi.* To increase the set pressure, loosen the locknut and turn the adjusting screw clockwise. To decrease the set pressure, turn the adjusting screw counterclockwise. Re-tighten the locknut. Allow for some fall-off from set pressure during flow conditions. Refer to Chart 1 below to determine the amount of fall-off to expect at a certain rate of flow.

Example: A PRC & PRCLF 3/4" has a inlet pressure of 100 psi and a set outlet pressure of 50 psi in the static, no-flow condition. The flow demand through the valve is expected to be 19 gpm. The chart shows the pressure fall-off to be about 18 psi. Thus the pressure will drop from 50 psi to approximately 32 psi at that flow rate.



NOTE: Although this chart shows curves at a 50 psi set differential, curves for other settings are similar. The curve shifts slightly to the left for a smaller differential and to the right for a greater differential. The adjustment is as follows: for a 25 psi set differential subtract 15% from the flow rate shown. For a 75 psi set differential add 15 % to the flow rate shown.

* (the low range PRC comes set at 25 psi and is adjustable from 10-35 psi; the high range comes set at 100 psi and is adjustable from 75-125 psi)

THIS PRODUCT MEETS THE REQUIREMENTS OF THE EPA SAFE DRINKING WATER ACT

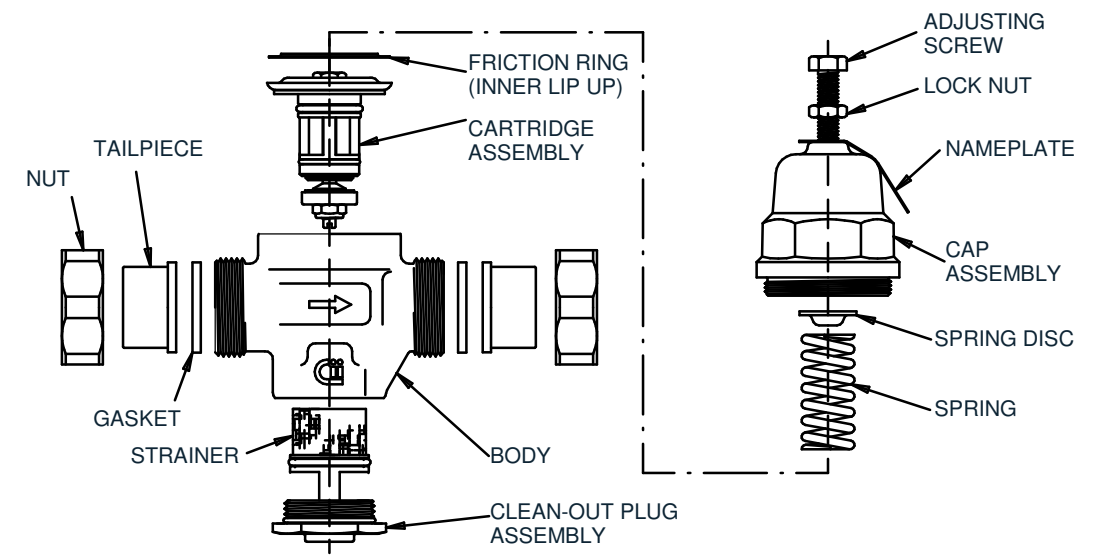
CALIFORNIA PROP 65: WARNING: Cancer and Reproductive Harm - www.P65Warnings.ca.gov

FOR NON-LEAD FREE VALVES: It is illegal to use this product in the United States for potable water services (water intended for human consumption).

FOR LEAD FREE VALVES: This product complies with U.S. Safe Drinking Water Act (SDWA). Suitable for potable water applications intended for human consumption.

FRONT

FIGURE 1



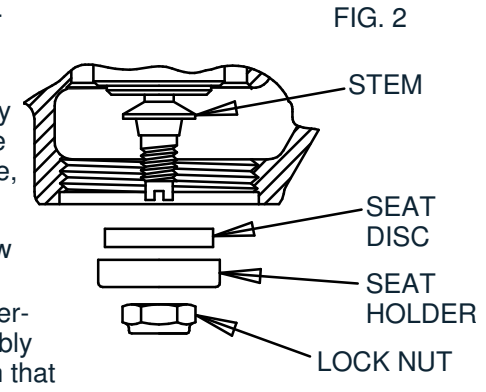
Maintenance

The PRC & PRCLF are designed so that it can be serviced through the clean-out plug without removing the cap assembly and disturbing the pressure setting. Routine servicing usually requires that the strainer be cleaned to remove debris that can become caught on the strainer. Over time a clogged strainer can severely limit flow resulting in a high pressure loss across the device. Less frequently, the rubber seat disc may need to be replaced as they sometimes become embedded with grit or other foreign particles. Both the strainer and seat disc can be accessed from the clean-out plug (see figure 2). The plug uses a 1-1/2" hex drive. A clean-out repair kit (36C-003-01) is available that includes the seat disc, locknut, and two plug O-rings. Removing the lock nut requires a standard screwdriver to hold the stem from rotating while turning the nut with a 7/16" wrench. Assemble in reverse order. Tighten the lock nut firmly.

A major repair kit is also available (36C-004-01) to replace the cartridge assembly and the two clean-out plug O-rings. Normally, the cartridge assembly does not require servicing but can become damaged due to freeze-up or over pressurizing. In this case, the cap assembly and the clean-out plug will have to be removed.

CAUTION: Always relieve the spring pressure by unscrewing the adjusting screw before attempting to unscrew the cap assembly.

Unscrew the cap assembly by placing a wrench on the 1-3/4" hex and turn counterclockwise. With the cap off, use a finger from the bottom to push the cartridge assembly out through the top. Reverse the previous procedure when re-assembling. Be certain that the O-rings are lubricated with a non-toxic lubricant and free of foreign particles. Do not over tighten the cap assembly. Turn the adjusting screw to re-establish the pressure setting. Use a gauge to check the pressure in the downstream line. Flow a small amount of water and double-check the setting. Tighten the lock-nut.



Trouble-Shooting

PROBLEM	POSSIBLE CAUSES
1. Gauge indicates outlet set pressure rises above the original setting.	A. If the rise is slow and not immediately noticed, the problem could be thermal expansion in the downstream line. If this is the problem, the pressure should drop immediately after flow resumes. If the pressure is not relieved and rises to equal the inlet pressure to the PRV, the by-pass feature then will prevent any further increase by by-passing the pressure upstream. B. A PRC that quickly rises above its set outlet pressure indicates some sort of seal leakage within the valve. Remove the clean-out plug and inspect the plug O-rings and the seat disc for cuts or debris. Clean or replace as necessary.
2. Lack of flow.	A. Lack of pressure at the supply. Fluctuations at the source may be temporary and correct itself. B. Several fixtures in the downstream line may be open creating a high demand. It may be necessary to adjust the PRC to a higher setting if a higher flow demand is required. C. Clogged strainer in the PRC. Remove clean-out plug and rinse strainer.
3. Excessive noise within the pipeline at the PRV.	A. High water velocities can sometimes cause a whistling or hum. A slight adjustment of the PRC may eliminate the noise. If not, the line size may be too small for the flow rate. See Chart 1 for capacities of the different PRC sizes. B. Chatter or other noise tend to be more frequent at low flows or when a valve has been oversized. For the system sizing should be based on minimum and maximum system demands (gpm).
4. Leakage from cap.	Loose cap, damaged diaphragm, or loose center bolt on cartridge assembly. If tightening the cap will not correct the leakage, then inspect the cartridge assembly. Check to see if the center bolt is tight. If the diaphragm is damaged, replace the cartridge assembly.

BACK