

Engineered Lighting Solutions



Captivated screws stay with shroud.

Optional shrouds for maximum design flexibility.

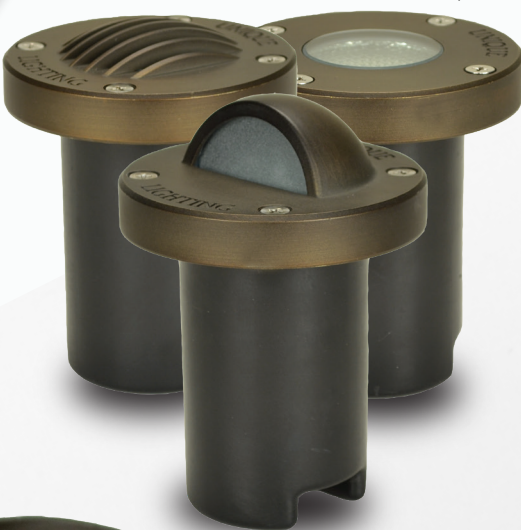
Shatter proof polycarbonate dome lens.

Step lens reduces water pooling.

Multi position lens holder.

25' wire lead to support HUB Wiring System.

Composite body improves water sealing.

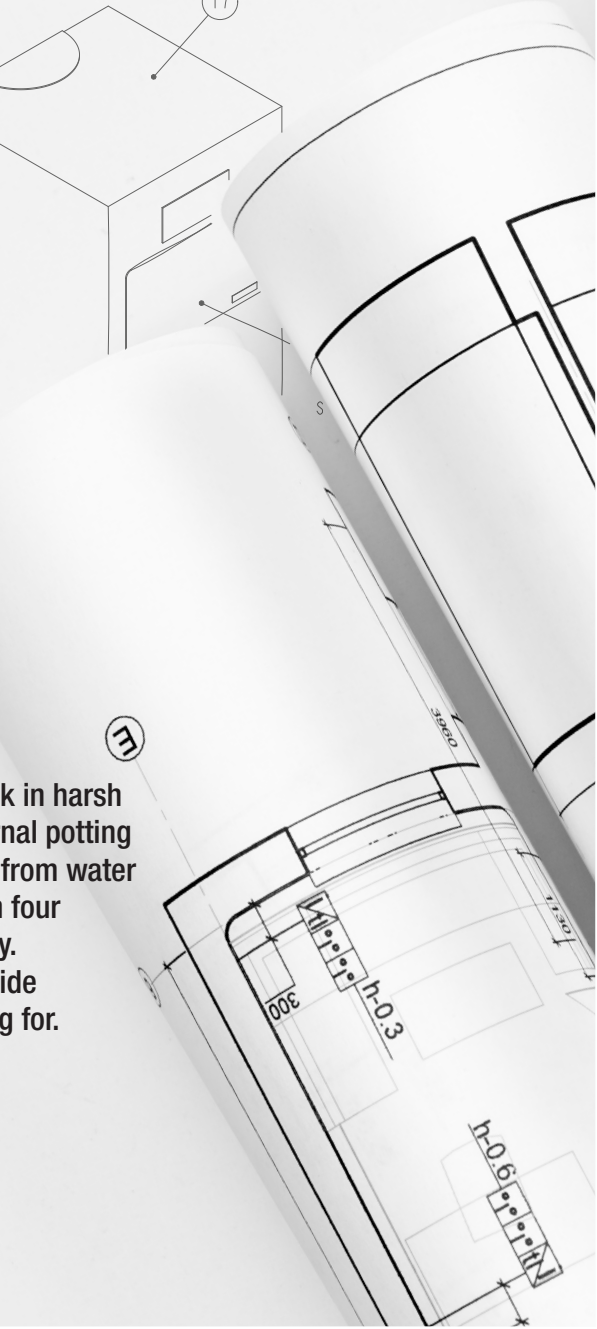


NOVA Knights Series

Recently re-engineered based on real-world feedback in harsh conditions, the Nova's new composite body and internal potting material work in tandem to seal critical components from water intrusion. The single piece brass shroud is offered in four different configurations for maximum design flexibility. From retaining walls to walkways, the Nova will provide the artful lighting effect and durability you are looking for.

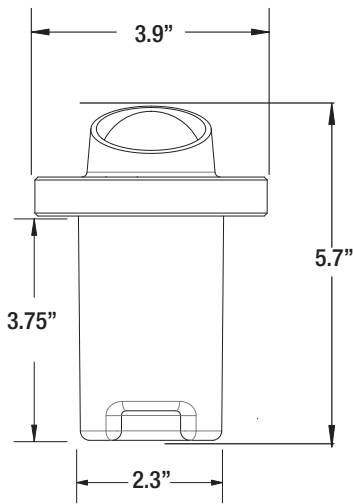
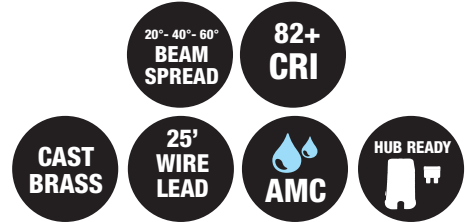
UNIQUE

LIGHTING SYSTEMS®

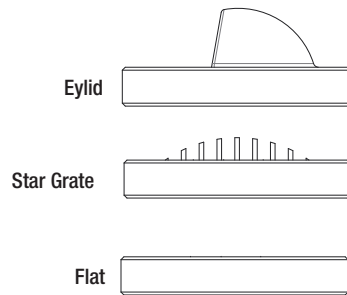


PRODUCT SPECIFICATIONS

PROJECT:	
MODEL #:	
LAMP(S):	
NOTES:	



Optional Brass Top



Eyelid = 5.5" Overall height
Star Grate = 4.8" Overall height
Flat = 4.5" Overall height

Specifications:

- Solid cast brass and composite construction
- High temperature silicone o-rings
- Specification grade, beryllium copper socket
- Premium grade direct burial cable
- AMC - Anti-Moisture Connections
- 8W max. LED lamp / 20W max. halogen
- Large PBT sleeve included
- Weathered brass finish standard
- 15 year warranty

Light Distribution Cones:

LED-8W-CM6FL27K

	Illuminance at a Distance	
	Center Beam fc	Beam Width
4.3R	81.8 fc	3.0 ft 3.1 ft
8.7R	20.0 fc	6.2 ft 6.2 ft
13.0R	8.95 fc	9.2 ft 9.2 ft
17.3R	5.06 fc	12.3 ft 12.3 ft
21.7R	3.21 fc	15.4 ft 15.4 ft
26.0R	2.24 fc	18.4 ft 18.4 ft

■ Vert. Spread: 39.0°
■ Horiz. Spread: 39.1°

LED-8W-CM6FL30K

	Illuminance at a Distance	
	Center Beam fc	Beam Width
4.3ft	86.1 fc	3.0 ft 3.0 ft
8.7ft	21.0 fc	6.1 ft 6.0 ft
13.0ft	9.42 fc	9.1 ft 9.0 ft
17.3ft	5.32 fc	12.1 ft 12.0 ft
21.7ft	3.38 fc	15.2 ft 15.0 ft
26.0ft	2.35 fc	18.2 ft 18.0 ft

■ Vert. Spread: 38.5°
■ Horiz. Spread: 38.2°

NOTE: Light cones are depicted without supplied lenses. Maximum wattage shown. For all other wattage options please refer to uniquelighting.com/beamspreads.



UL 2108:2004 R12.07
CSA C22.2.9.0-96 (R2006)

Unique Lighting Systems® reserves the right to modify the design and/or construction of the fixture shown without notification.