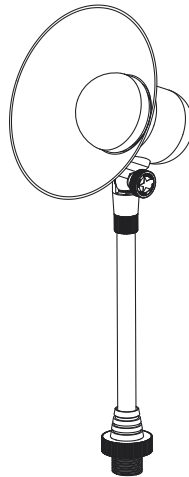
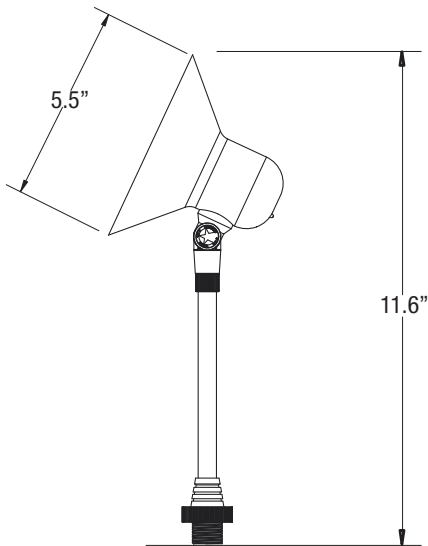
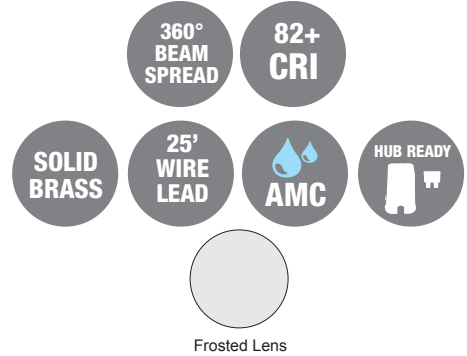




## PRODUCT SPECIFICATIONS

PROJECT:	
MODEL #:	
LAMP(S):	
NOTES:	



### Specifications:

- Solid brass construction
- Fully articulating brass knuckle
- Specification grade beryllium copper socket
- Premium grade direct burial cable
- Frosted borosilicate lens
- 2W max. LED lamp / 20W max. halogen
- Large Stabilizer mounting stake included
- Weathered brass finish standard
- 15 year warranty

**Light Distribution Cones:**  
N/A

**NOTE:** Light cones are depicted without supplied lenses. Maximum wattage shown, for all other wattage options please refer to [uniquelighting.com/beamspreads](http://uniquelighting.com/beamspreads).



UL 2108:2004 R12.07  
CSA C22.2.9.0-96 (R2006)

Unique Lighting Systems® reserves the right to modify the design and/or construction of the fixture shown without further notification.



## Fixtures

### Part Number

MONA-12-L1  
MONA-12-L2  
MONA-12-L27  
MONA-NL  
MONA-NL-0  
MONA-NL-50  
MONA-NL-P  
MON3-NL  
MON3-NL-0  
MON3-NL-50  
MON3-NL-P

### Description

MONARCH BR 12V LED 1W 30K 25'WL WB  
MONARCH BR 12V LED 2W 30K 25'WL WB  
MONARCH BR 12V LED 2W 27K 25'WL WB  
MONARCH BR NL 25'WL WB  
MONARCH BR NL NWL WB  
MONARCH BR NL 50'WL WB  
MONARCH BR NL 25'WL PNT  
MONARCH3 BR NL 25'WL WB  
MONARCH3 BR NL NWL WB  
MONARCH3 BR NL 50'WL WB  
MONARCH3 BR NL 25'WL PNT

## Accessories

### Part Number

SPHEREBASE SB  
ZEROG-WB  
6RISER  
12RISER  
24RISER  
12ADJRISER  
24ADJRISER

### Description

Round Mounting Base  
Docking Post W/Brass Cap  
6" Brass Riser  
12" Brass Riser  
24" Brass Riser  
12" Adjustable Brass Riser WB  
24" Adjustable Brass Riser WB

## Finishes

### Standard Finish

WB - Weathered Brass

### Powder Coated Finishes

WH - White  
BK - Black  
VG - Verde Green  
TT - Tucson Tan  
TK - Titanium Knight

### Custom Colors

P - Painted

Stock powder coated colors displayed are subject to varying lead-times and will incur an additional cost. A Limited Warranty applies to all powder coated products.

Custom colors are available upon request. Please inquire about cost and lead times. Contact factory for custom colors and matching paint options.