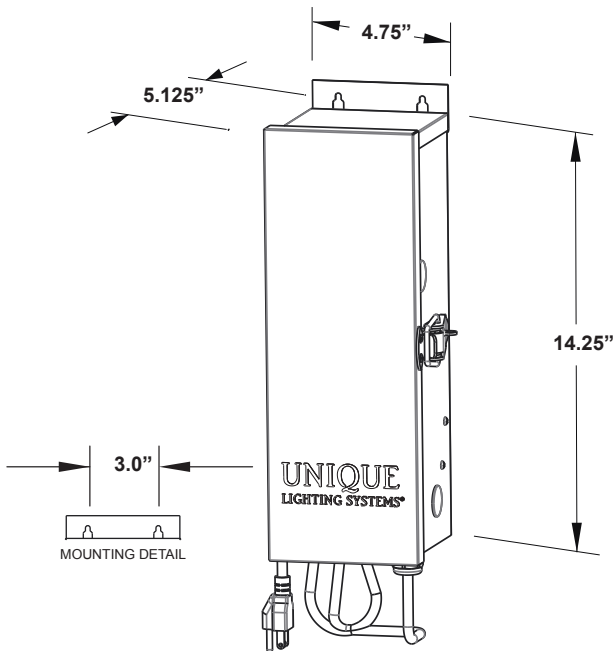


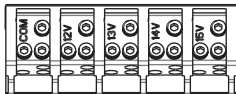
PRODUCT SPECIFICATIONS

PROJECT:	
MODEL #:	
LAMP(S):	
NOTES:	



Standard Finish
SS - Stainless Steel

Tinned 6061-T6 aluminum
lug with 3mm set screws



Specifications:

Core

Engineered single core design with precision grain-oriented steel laminations. High temperature glass-impregnated nylon bobbin and solid copper mag wire. To ensure robust construction each output tap is welded to the mag wire for optimum connectivity.

Construction

304 stainless steel (complies with NEMA 3R).

Secondary Protection

LED safe 15 AMP breaker on 150W.
LED safe 25 AMP breaker on 300W.

Power Cord

16/3 SJTW power cord. Six feet in length.

Electrical Requirements

Available power ratings 150 Watts and 300 Watts. Primary voltage is 120 volts, secondary voltage varies from 12V-15V output.

Output Terminal

Tinned 6061-T6 aluminum lug strip with 3mm hex set screw for a positive torque connection. Includes 3mm hex key tool with every lugged transformer.

Finish

Stainless Steel standard finish.

Warranty

10 year limited warranty against manufacturer's defects.