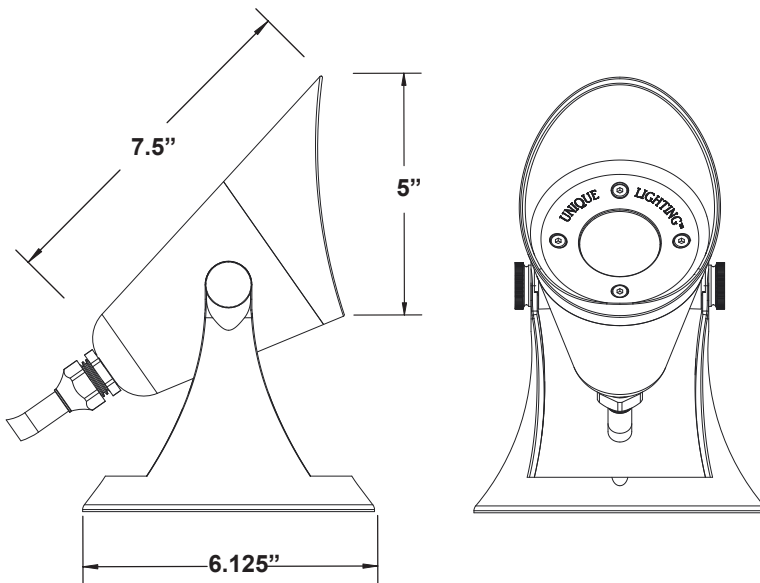
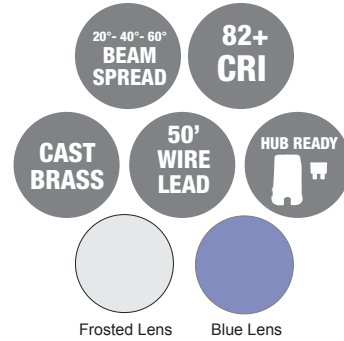


UNIQUE LIGHTING SYSTEMS®



PRODUCT SPECIFICATIONS

PROJECT:	
MODEL #:	
LAMP(S):	
NOTES:	



Specifications:

- Forged brass construction
- Specification grade, beryllium copper socket
- Machined brass thumb screw
- High temperature gasket
- 50' Premium grade SJTW cable
- Cord grip cable sealing and retention
- AMC - Anti-Moisture Connections
- Water tight tempered step glass lens
- Submersible in depths up to 3'
- 8W max. LED lamp / 50W max. halogen
- Natural brass finish standard
- Limited lifetime warranty

Light Distribution Cones:

LED-8W-CM6FL27K

Illuminance at a Distance			
	Center Beam fc	Beam Width	
4.3ft	81.8 fc	3.0 ft	3.1 ft
8.7ft	20.0 fc	6.2 ft	6.2 ft
13.0ft	8.95 fc	9.2 ft	9.2 ft
17.3ft	5.06 fc	12.3 ft	12.3 ft
21.7ft	3.21 fc	15.4 ft	15.4 ft
26.0ft	2.24 fc	18.4 ft	18.4 ft

■ Vert. Spread: 39.0°
■ Horiz. Spread: 39.1°

LED-8W-CM6FL30K

Illuminance at a Distance			
	Center Beam fc	Beam Width	
4.3ft	86.1 fc	3.0 ft	3.0 ft
8.7ft	21.0 fc	6.1 ft	6.0 ft
13.0ft	9.42 fc	9.1 ft	9.0 ft
17.3ft	5.32 fc	12.1 ft	12.0 ft
21.7ft	3.38 fc	15.2 ft	15.0 ft
26.0ft	2.35 fc	18.2 ft	18.0 ft

■ Vert. Spread: 38.5°
■ Horiz. Spread: 38.2°

NOTE: Light cones are depicted without supplied lenses. Maximum wattage shown, for all other wattage options please refer to uniquelighting.com/beamspreads.



UL 2108:2004 R12.07
CSA C22.2.9.0-96 (R2006)

Unique Lighting Systems® reserves the right to modify the design and/or construction of the fixture shown without further notification.

Fixtures

Part Number

HYDR-L427
HYDR-L427-DB
HYDR-L427-P
HYDR-L430
HYDR-L430-DB
HYDR-L430-P
HYDR-L527
HYDR-L527-DB
HYDR-L527-P
HYDR-L530
HYDR-L530-DB
HYDR-L530-P
HYDR-L827
HYDR-L827-DB
HYDR-L827-P
HYDR-L830
HYDR-L830-DB
HYDR-L830-P

Description

HYDRO, BR, 12V LED, 4W 27K, 50' WL, NB
HYDRO, BR, 12V LED, 4W 27K, 50' WL, DB
HYDRO, BR, 12V LED, 4W 27K, 50' WL, PNT
HYDRO, BR, 12V LED, 4W 30K, 50' WL, NB
HYDRO, BR, 12V LED, 4W 30K, 50' WL, DB
HYDRO, BR, 12V LED, 4W 30K, 50' WL, PNT
HYDRO, BR, 12V LED, 5W 27K, 50' WL, NB
HYDRO, BR, 12V LED, 5W 27K, 50' WL, DB
HYDRO, BR, 12V LED, 5W 27K, 50' WL, PNT
HYDRO, BR, 12V LED, 5W 30K, 50' WL, NB
HYDRO, BR, 12V LED, 5W 30K, 50' WL, DB
HYDRO, BR, 12V LED, 5W 30K, 50' WL, PNT
HYDRO, BR, 12V LED, 8W 27K, 50' WL, NB
HYDRO, BR, 12V LED, 8W 27K, 50' WL, DB
HYDRO, BR, 12V LED, 8W 27K, 50' WL, PNT
HYDRO, BR, 12V LED, 8W 30K, 50' WL, NB
HYDRO, BR, 12V LED, 8W 30K, 50' WL, DB
HYDRO, BR, 12V LED, 8W 30K, 50' WL, PNT

Accessories

Part Number

N/A

Description

Finishes

Standard Finish

NB - Natural Brass
DB - Dark Brown

Powder Coated Finishes

WH - White
BK - Black
VG - Verde Green
TT - Tucson Tan
TK - Titanium Knight

Custom Colors

P - Painted

Stock powder coated colors displayed are subject to varying lead-times and will incur an additional cost. A Limited Warranty applies to all powder coated products.

Custom colors are available upon request. Please inquire about cost and lead times. Contact factory for custom colors and matching paint options.