



**VISTA  
PROFESSIONAL  
OUTDOOR  
LIGHTING**

# FPC-150, FPC-160 and FPC-170

Photo Controls for Vista Transformers

## INSTALLATION INSTRUCTIONS

### FPC-170



These devices are designed to fit into low voltage lighting transformers, standard outlet boxes, post lamps, or wall packs.

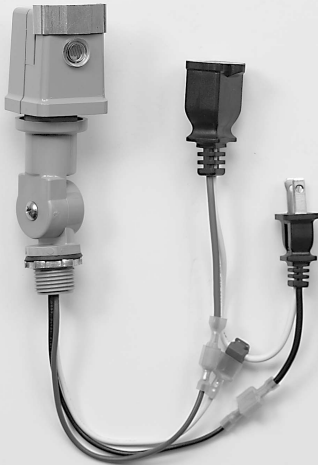
The fixed-mount version is equipped with a 3/8"-18 threaded side mounting, locking nut, and washer gasket.

The swivel-mount units allow turning and adjusting of position relative to the sun rays. It also includes a sliding shield for adjustment of light sensitivity. Equipped with 1/2"-14 threaded stem, washer gasket, and locking nut

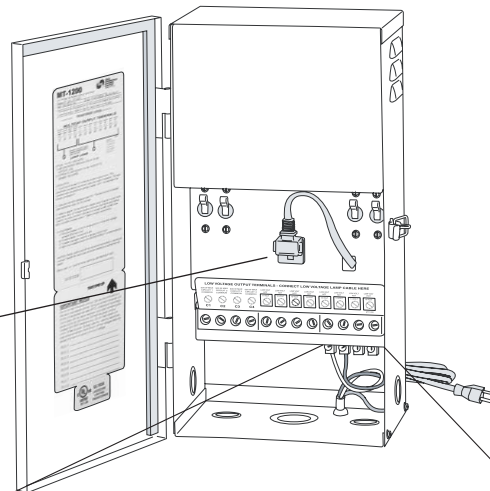
### FPC-160



### FPC-150



**FPC-150** designed for connection to Vista transformer 120-Volt accessory receptical



### Wiring Diagram:

(For wiring **FPC-160** or **FPC-170** to 120V accessory terminal strip)

For best results, position the photo control so it faces the north. If installed on the south side of a building, point the photo control to the east or west or towards the ground. Adjust the sensitivity with swivel and metal shield, if applicable.

