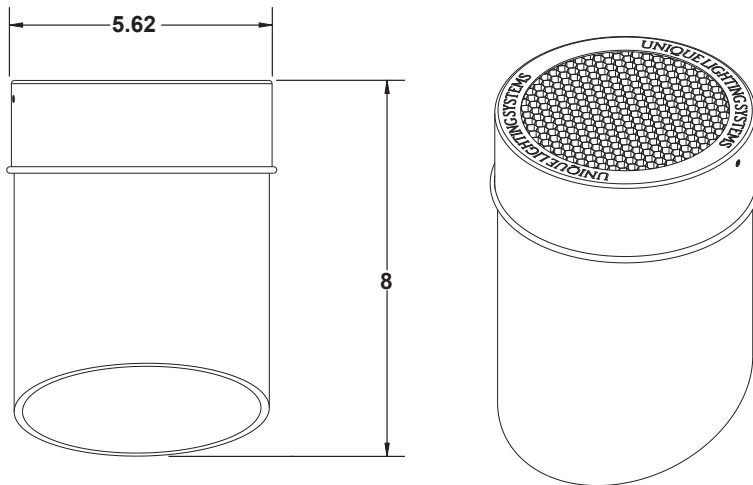
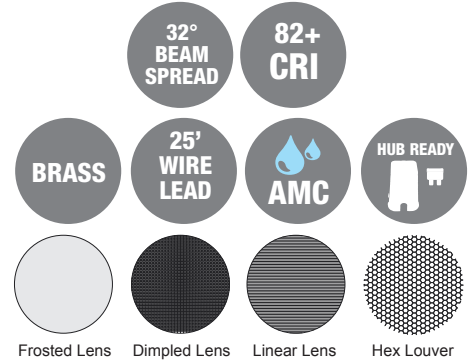


PRODUCT SPECIFICATIONS

PROJECT:	
MODEL #:	
LAMP(S):	
NOTES:	

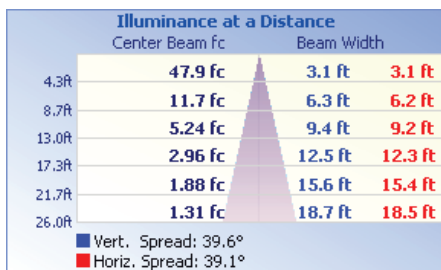


Specifications:

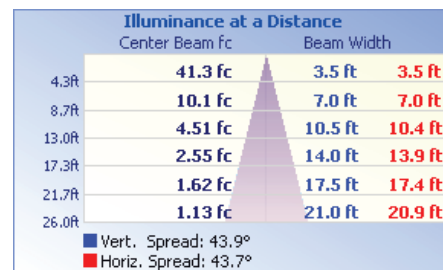
- Impact resistant resin housing
- Stamped brass debris guard
- High temperature LED *FLEX-FIT™* lamp retainer
- PAR36 screw terminal lamp connection
- Premium grade direct burial cable
- Complete lens set included
- 13W max. LED lamp / 50W max. halogen
- Weathered brass finish standard
- Limited lifetime warranty

Light Distribution Cones

LED-13W-CPFL27K



LED-13W-CPFL30K

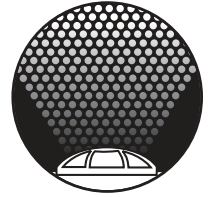


NOTE: Light cones are depicted without supplied lenses. Maximum wattage shown, for all other wattage options please refer to uniquelighting.com/beamspreads.



UL 2108:2004 R12.07
CSA C22.2.9.0-96 (R2006)

Unique Lighting Systems® reserves the right to modify the design and/or construction of the fixture shown without further notification.



Fixtures

Part Number

APOL-12-L527
APOL-12-L530
APOL-12-L727
APOL-12-L730
APOL-12-L1327
APOL-12-L1330
APOL-NL
APOL-NL-0
APOL-NL-50
APOL-NL-P
APOL-12-35
APOL-12-35-0
APOL-12-35-50

Description

APOLLO COMP 12V LED 5W 27K 25'WL WB
APOLLO COMP 12V LED 5W 30K 25'WL WB
APOLLO COMP 12V LED 7W 27K 25'WL WB
APOLLO COMP 12V LED 7W 30K 25'WL WB
APOLLO COMP 12V LED 13W 27K 25'WL WB
APOLLO COMP 12V LED 13W 30K 25'WL WB
APOLLO COMP NL 25'WL WB
APOLLO COMP NL NWL WB
APOLLO COMP NL 50'WL WB
APOLLO COMP NL 25'WL PNT
APOLLO COMP 12V 35W 25'WL WB
APOLLO COMP 12V 35W NWL WB
APOLLO COMP 12V 35W 50'WL WB

Accessories

Part Number

PAR36BLUE
PAR36GREEN
MPAR36RED
PAR36YELLOW
APOLLOOPTWB
APOLLODEBRIS

Description

Blue Lens
Green Lens
Red Lens
Yellow Lens
Apollo Eclips Shield WB
2" Brass Debris Guard

Finishes

Standard Finish

WB - Weathered Brass

Powder Coated Finishes

WH - White
BK - Black
VG - Verde Green
TT - Tucson Tan
TK - Titanium Knight

Custom Colors

P - Painted

Stock powder coated colors displayed are subject to varying lead-times and will incur an additional cost. A Limited Warranty applies to all powder coated products.

Custom colors are available upon request. Please inquire about cost and lead times. Contact factory for custom colors and matching paint options.