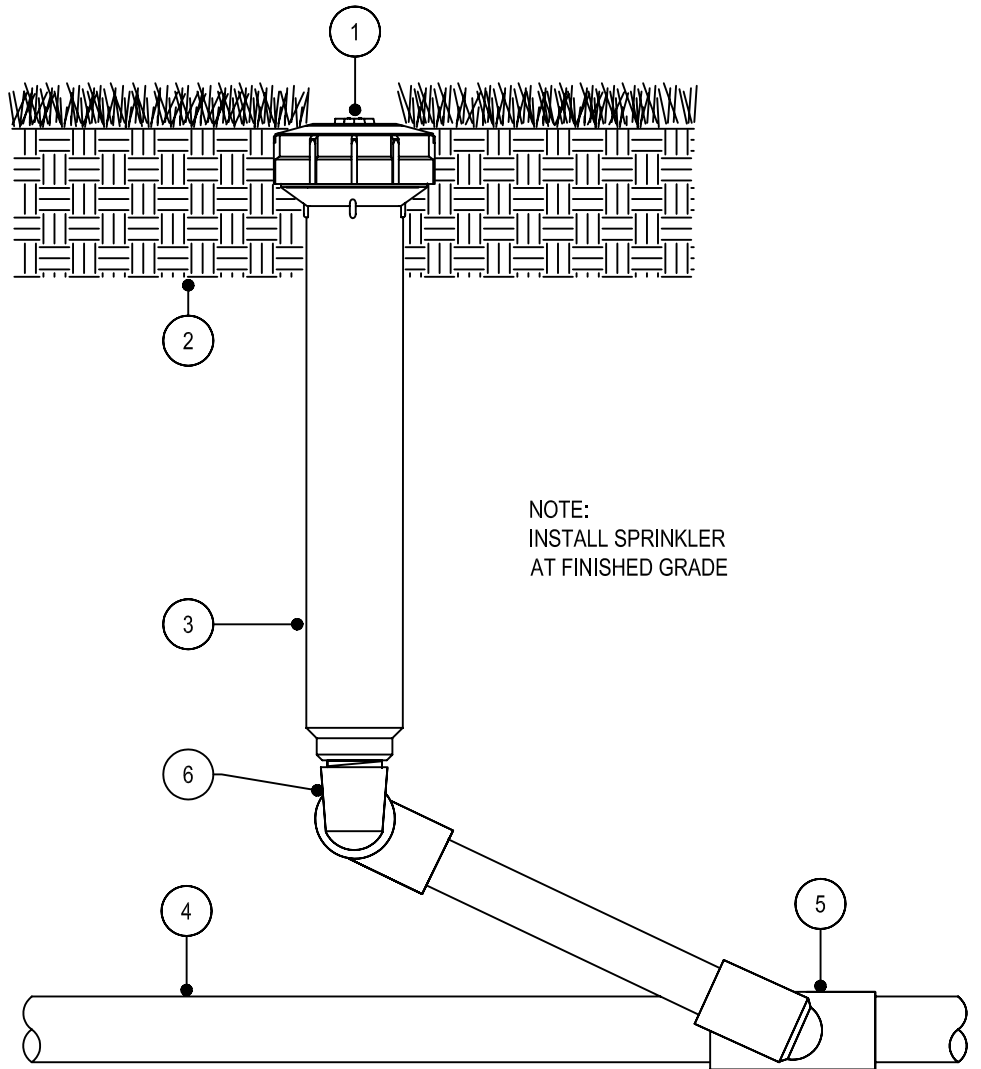




TORO-IRRIGATION DIVISION  
 5825 JASMINE STREET  
 RIVERSIDE, CA 92504  
 TOLL FREE: 1-800-664-4740  
 PHONE: (951) 785-3152  
 FAX: (951) 359-1870  
 www.toro.com

**LEGEND**

- 1. MPR PLUS NOZZLE  
(SIZE PER PLAN)
- 2. APPROVED BACKFILL
- 3. TORO 570Z-6P-XX SPRINKLER
- 4. LATERAL PIPE
- 5. LATERAL TEE
- 6. MANUFACTURED SWING JOINT



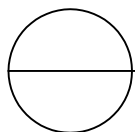
NOTE:  
 INSTALL SPRINKLER  
 AT FINISHED GRADE

**SECTION/ELEVATION**

NOT TO SCALE

**NOTES:**

- 1. INSTALLATION TO BE COMPLETED IN ACCORDANCE WITH MANUFACTURERS SPECIFICATIONS.
- 2. DO NOT SCALE DRAWINGS.
- 3. CONTRACTORS NOTE: FOR PRODUCT AND COMPANY INFORMATION VISIT [www.CADdetails.com/info](http://www.CADdetails.com/info) REFERENCE NUMBER 065-013a.



**570Z PRX SERIES**

6 INCH POP-UP, XX SPRINKLER (SWING JOINT)