



**PROFESSIONAL
OUTDOOR LIGHTING**

Type:

Model:

Project:

SPECIFICATION SHEET

MODEL 5272 Landscape Series • In-Ground & Well Lights

FIXTURE SPECIFICATIONS:

HOUSING:

Injection-molded, glass-reinforced Ryton® R-4 composite for strength and high UV stability – warranted for ten years against corrosion.

LENS COVER:

Injection-molded, glass-reinforced Ryton® R-4 composite fitted to housing with a silicone O-ring gasket – providing a superior weather-tight seal.

FINISH:

Durable powder coat finish available in Black, Architectural Bronze, Dark Bronze, Granite, White, Architectural Brick, Light Bronze, Special Bronze, Glossy Gray, Rust, Hunter Green, Weathered Bronze, Weathered Iron, Graphite Metallic, Verde, Pewter, Mocha and Olde Finish. Custom Powder coat finishes available on request.

SOCKET/LAMP HOLDER:

Top grade ceramic socket with nickel contacts, stainless steel springs, and Teflon-jacketed wire leads.

LENS:

Clear, tempered, shock and heat-resistant, soda-lime glass lens- crowned (convex) to promote water runoff. Optical effect lenses are available.

LAMP TYPE:

MR-16 Halogen – 50W maximum. LN-20 BAB/FG (20W) Standard.

OPTICS/AIMING:

Adjustable lamp bracket provides up to ±25° of tilt as well as 360° rotation of housing for precise beam control. Lamp bracket can be locked into place to prevent disrupting lamp position when relamping.

MOUNTING:

In-grade. Conduit mount fixtures have two 3/4" NPT inlets on bottom. Optional concrete mounting kit available.

FASTENERS/INSERTS:

All fasteners are stainless steel with brass inserts.

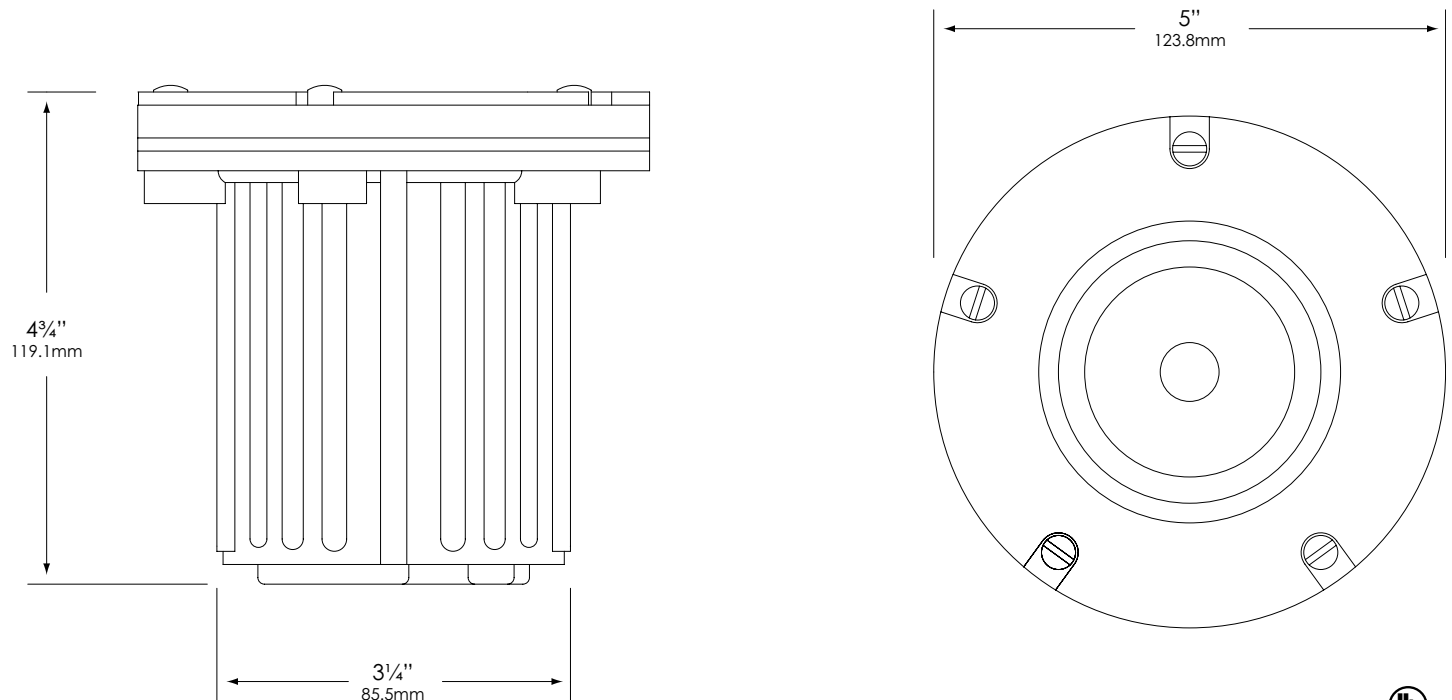
WIRING:

Prewired with a three-foot pigtail of 18-2 direct-burial cable and underground connectors for a secure connection to supply cable.

CERTIFICATION:

UL Listed to U.S. and Canadian safety standards for low voltage landscape luminaires (UL 1838). Maximum wattages allowed by Underwriters Laboratories (UL) for U.S. and Canadian markets may vary. Maximum wattages specified are Underwriters Laboratories U.S. standard. Please contact Vista for any questions about maximum wattages allowed by UL Canadian standards. This luminaire has an ingress protection rating of IP67 for protection against detrimental dust intrusion as well as penetration of water under submersion. Drive-over rated for 3,000 lbs.

DIMENSIONS:



Vista Professional Outdoor Lighting reserves the right to modify the design and/or construction of the fixture shown without further notification.



SPECIFICATION SHEET

MODEL 5272 Landscape Series • In-Ground & Well Lights

FIXTURE ORDERING INFORMATION

TO ORDER FIXTURE: Select appropriate choice from each column as in the following example.

EXAMPLE: GW-5272-B-BAB/FG-SL

MOUNTING	MODEL	FINISH	LAMP	ACCESSORIES
GW- In-grade CM - In-grade conduit mount	5272	Standard	BAB/FG - 20W LN-20 BAB/FG Standard Halogen 4.5-W-36-4.5W LN16-4.5-W-A-36-LED standard LED	CBL - Crowned Cool Blue lens CFR - Crowned Frosted lens SL- Flat Spread lens DBL- Flat Dark Blue lens GL- Flat Dark Green lens RL- Flat Red lens YL- Flat Amber lens HL- Honeycomb louver
		B - Black Z - Architectural Bronze DZ - Dark Bronze GT - Granite W - White	6-RGBW-38-6W*	
		Premium	LN16-6-RGBW-38-LED Standard RGBW LED*	
		BR - Architectural Brick LZ - Light Bronze SB - Special Bronze GG - Glossy Gray R - Rust HG - Hunter Green WB - Weathered Bronze WI - Weathered Iron GM - Graphite Metallic	W-LF3SP - Warm, 3 Emitter, 5W, Spot C-LF3SP - Cool, 3 Emitter, 5W, Spot W-LF3MF - Warm, 3 Emitter, 5W, Medium Flood C-LF3MF - Cool, 3 Emitter, 5W, Medium Flood W-LF3WF - Warm, 3 Emitter, 5W, Wide Flood C-LF3WF - Cool, 3 Emitter, 5W, Wide Flood	
		Hand Finished	W-LF6SP - Warm, 6 Emitter, 10W, Spot C-LF6SP - Cool, 6 Emitter, 10W, Spot W-LF6MF - Warm, 6 Emitter, 10W, Medium Flood C-LF6MF - Cool, 6 Emitter, 10W, Medium Flood W-LF6WF - Warm, 6 Emitter, 10W, Wide Flood C-LF6WF - Cool, 6 Emitter, 10W, Wide Flood	
		G - Verde P - Pewter M - Mocha OF - Olde Finish	W-LF9SP - Warm, 9 Emitter, 17W, Spot C-LF9SP - Cool, 9 Emitter, 17W, Spot W-LF9MF - Warm, 9 Emitter, 17W, Medium Flood C-LF9MF - Cool, 9 Emitter, 17W, Medium Flood W-LF9WF - Warm, 9 Emitter, 17W, Wide Flood C-LF9WF - Cool, 9 Emitter, 17W, Wide Flood	

Fixtures shipped with standard lamp, unless otherwise specified.

* RGBW lamps available in B – Black or DZ – Dark Bronze select fixtures only.