



**PROFESSIONAL
OUTDOOR LIGHTING**

Type:

Model:

Project:

SPECIFICATION SHEET

MODEL 5103 Landscape Series • Up & Accent Lights

FIXTURE SPECIFICATIONS:

HOUSING:

Die-cast, copper-free aluminum.

SHROUD:

Die-cast, copper-free aluminum fitted to housing with a silicone O-ring gasket – providing a superior weather-tight seal. Hinged shroud opens easily for access to lamp and is latched securely with a stainless steel screw at top to assure compartment maintains its weather-tight seal.

FINISH:

Polyester powder-coat finish available in Black, Dark Bronze, Granite, White, Architectural Brick, Light Bronze, Special Bronze, Glossy Grey, Rust, Hunter Green, Weathered Bronze, Weathered Iron, Graphite Metallic, Verde, Pewter, Mocha and Olde Finish.

SOCKET/LAMP HOLDER:

Top grade American-made ceramic socket with nickel contacts, stainless steel springs, & Teflon-jacketed wire leads.

LENS:

Clear, tempered, shock & heat-resistant, soda-lime glass lens. Optical effect lenses are available; see accessories column on fixture ordering information chart.

LAMP TYPE:

- T4 – 75W max. LN-20 T4 Halogen (20W) Standard.
- LED T3 - 2.5W. LNT3-2.5-W-D-LED

REFLECTOR:

Mirror-finish high-performance aluminum for maximum light output.

MOUNTING:

Injection-molded, glass-reinforced Ryton® R-4 composite adjustable knuckle with 1/2" NPT. Fixture may be mounted into threaded hubs in junction boxes, ground stakes, tree-mount boxes, or mounting canopies.

FASTENERS:

All fasteners are stainless steel.

WIRING:

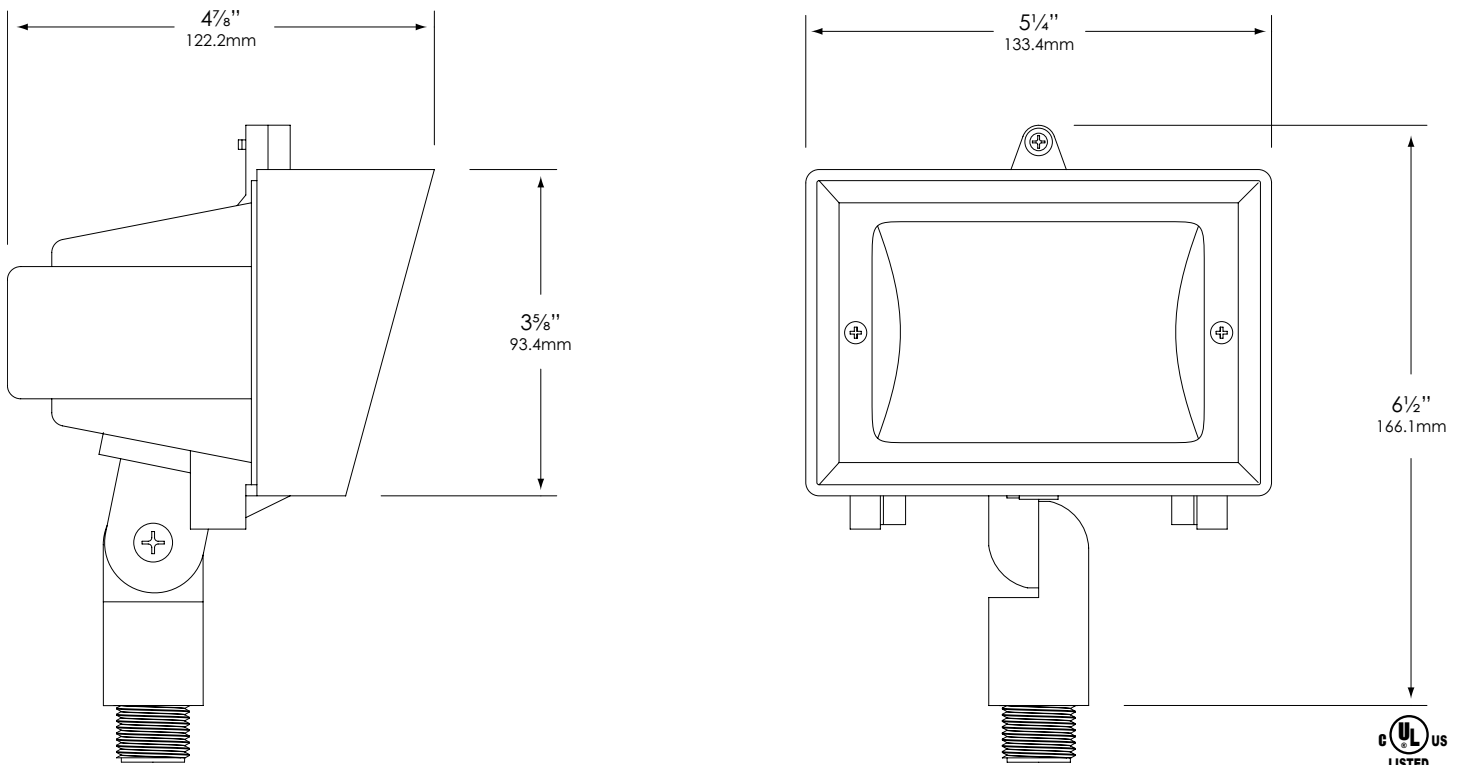
Prewired with a 3' pigtail of 18-2 direct-burial cable & underground connectors for a secure connection to supply cable.

CERTIFICATION:

UL Listed to U.S. & Canadian safety standards for low voltage landscape luminaires (UL 1838). Maximum wattages allowed by Underwriters Laboratories (UL) for U.S. & Canadian markets may vary. Maximum wattages specified are Underwriters Laboratories U.S. standard. Please contact Vista for any questions about maximum wattages allowed by UL Canadian standards.

All Vista luminaires are **MADE IN U.S.A.**

DIMENSIONS:



Vista Professional Outdoor Lighting reserves the right to modify the design and/or construction of the fixture shown without further notification.



SPECIFICATION SHEET

MODEL 5103 Landscape Series • Up & Accent Lights

FIXTURE ORDERING INFORMATION

TO ORDER FIXTURE: Select appropriate choice from each column as in the following example.

EXAMPLE: GR--5103-SB-20T4-FR

MOUNTING	MODEL	FINISH	LAMP	ACCESSORIES
GR - ABS ground stake WR - Wall-mount canopy TR - Tree-mount junction box	5103	Standard	20T4 - 20 watt	FR – Flat Frosted lens HL – Honeycomb louver
		B - Black Z - Architectural Bronze DZ - Dark Bronze GT - Granite W - White	LN-20 T4 STD Standard Halogen 2.5-W-T3 2.5W	
		Premium	LNT3-2.5-W-G-LED Standard LED	
		BR - Architectural Brick LZ - Light Bronze SB - Special Bronze GG - Glossy Gray R - Rust HG - Hunter Green WB - Weathered Bronze WI - Weathered Iron GM - Graphite Metallic	(Please see lamp order code column on lamp guide, Vista product catalog.)	
		Hand Finished		
		G - Verde P - Pewter M - Mocha OF - Olde Finish		

Fixtures shipped with standard lamp, unless otherwise specified.

Fixtures shipped with specified mounting hardware.