

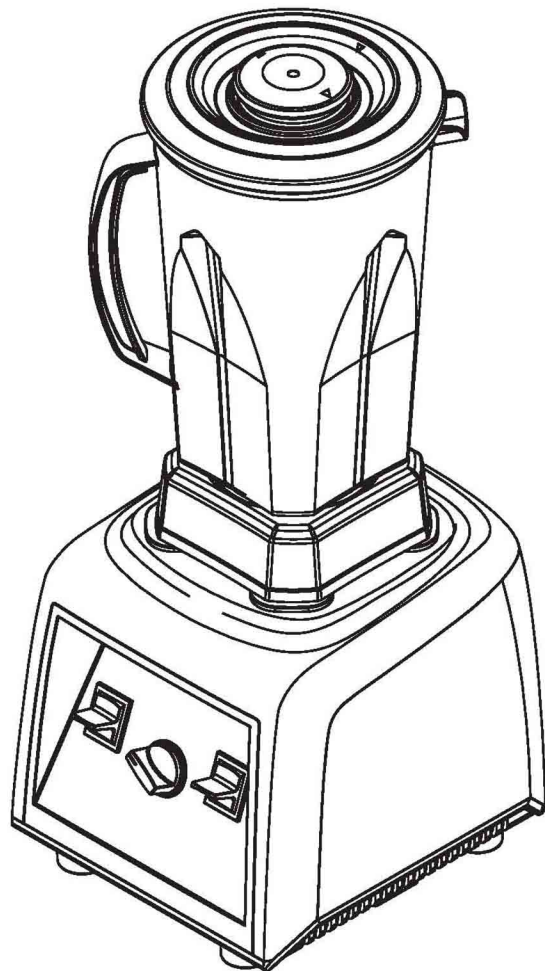


how to use MD-206A

AUTO-TIMER SMOOTHIE BLENDER

MD-206A is your best choice for ice blended and smoothie shop.

It provides with automatic timer and acceleration technology, with 5 programs of auto-timer selections.



how to use MD-206A

AUTO-TIMER SMOOTHIE BLENDER

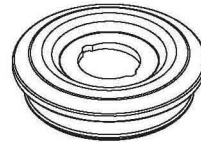
- A. Identification of parts
- B. How to operate?
- C. Safety Instructions
- D. Troubleshooting

A. Identification of parts

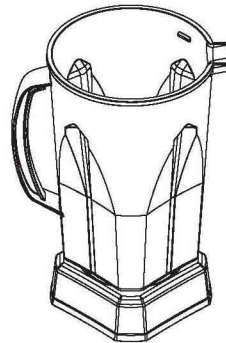
condiment Lid



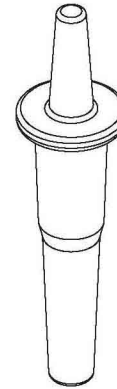
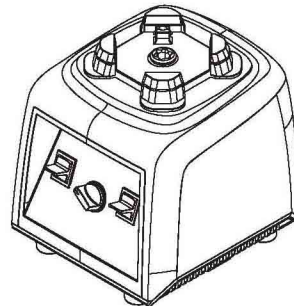
blender jar cover



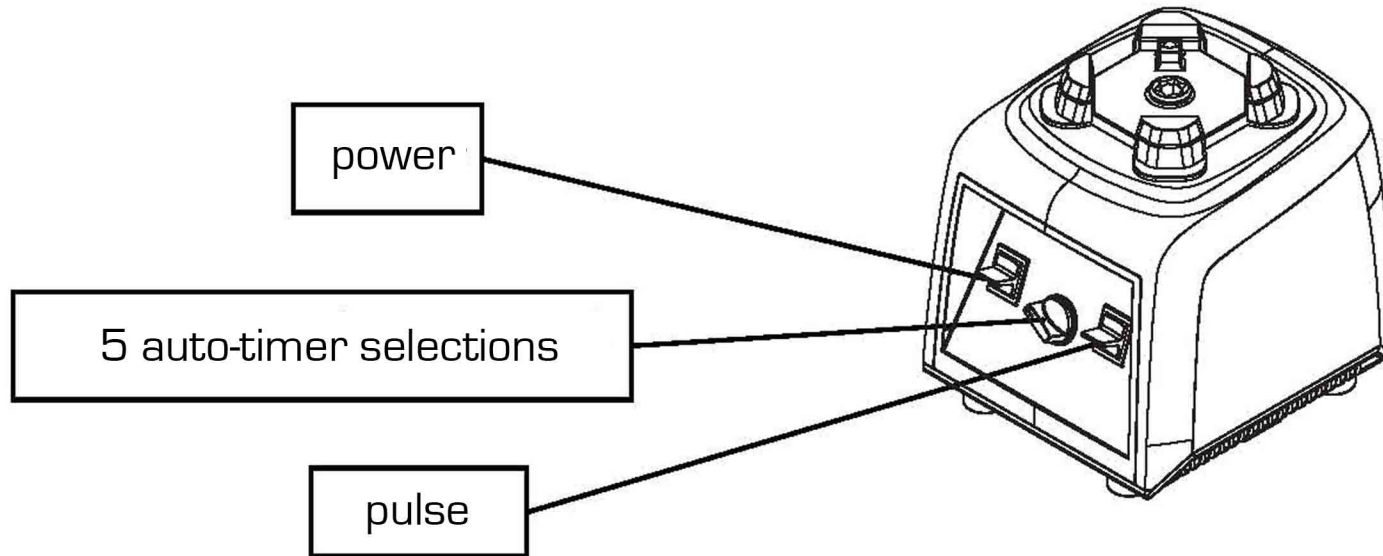
blender jar



main machine



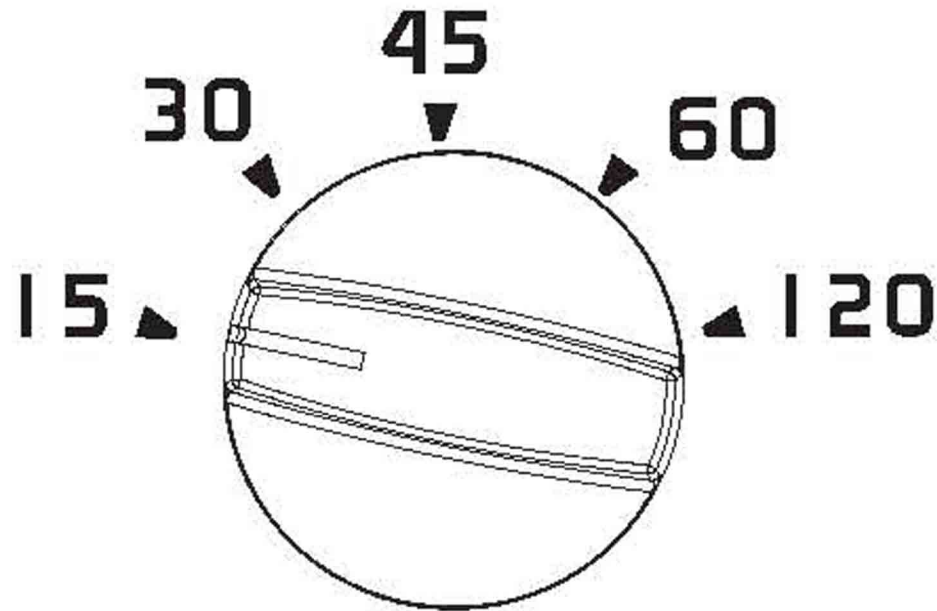
stirring rod



ON: turn on machine

OFF: turn off machine

PULSE: pull up the switch to start pulse function (max speed)
It will stop automatically when you the switch has released



5 Auto-timer Selection

15, 30, 45, 60 & 120 seconds

You can adjust the time based on necessity

15

Crushed ice drinks

GREAT FOR BLENDED COCKTAILS & MOCKTAILS

30

Ice smoothie

NO ICE CHUNKS, SUPER SMOOTH

45

Watery smoothie

SMOOTHIE WITH WATERY TEXTURE (FOR STRAW)

60

Fresh Juice

NO PEELS, NO FRUIT FLESH LEFT

120

Hot soup

FROM GRAINS AND BEANS, OR
VEGGIE SOUP, MUSHROOM SOUP



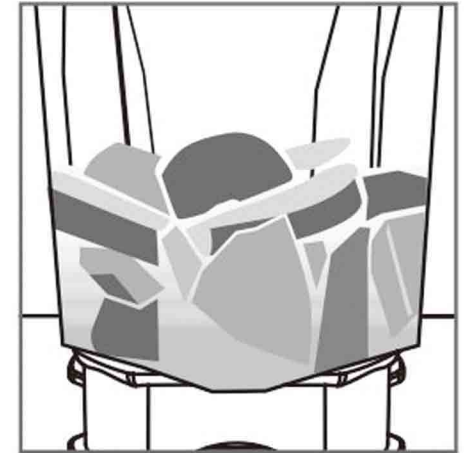
MD-206A

B. HOW TO OPERATE

makes smoothie in just 30 seconds

Step 1 – Put the ingredients

1. Put ice cubes inside the blender jar.
2. Put the ingredients, such as:
smoothie jam or powder, fruits, etc.
3. Put milk or smoothie base, etc.



NOTE

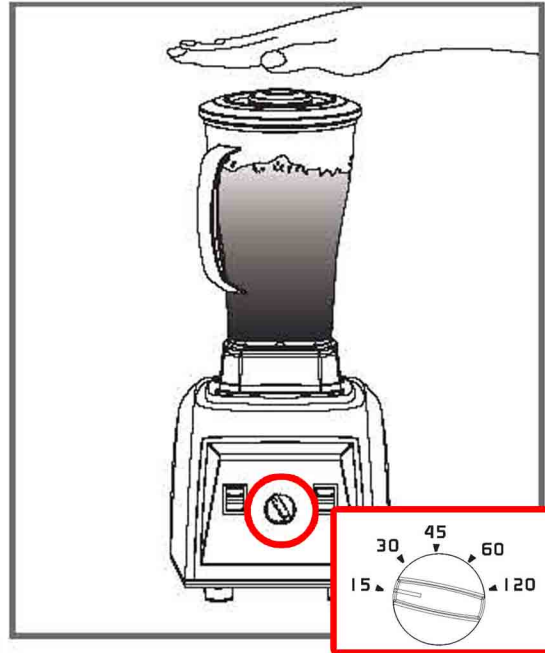
After ingredients have put inside blender jar, place the jar onto the machine properly
MAX weight of ice Cubes: 350 gr

STEP 2



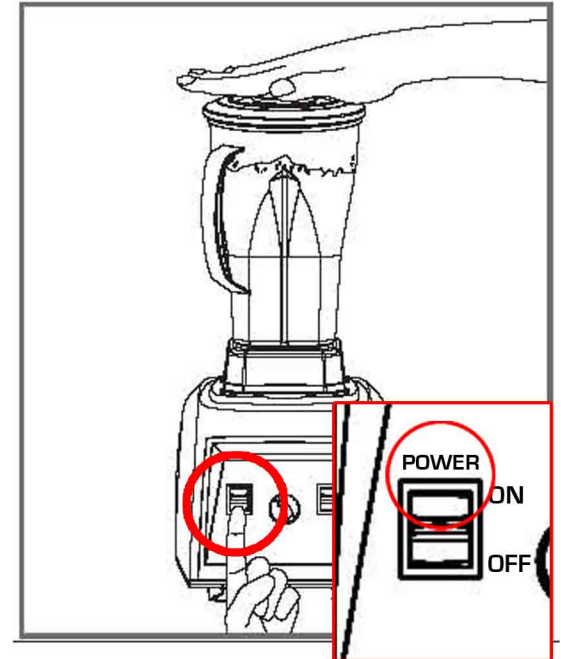
put the blender jar on to the machine properly

STEP 3

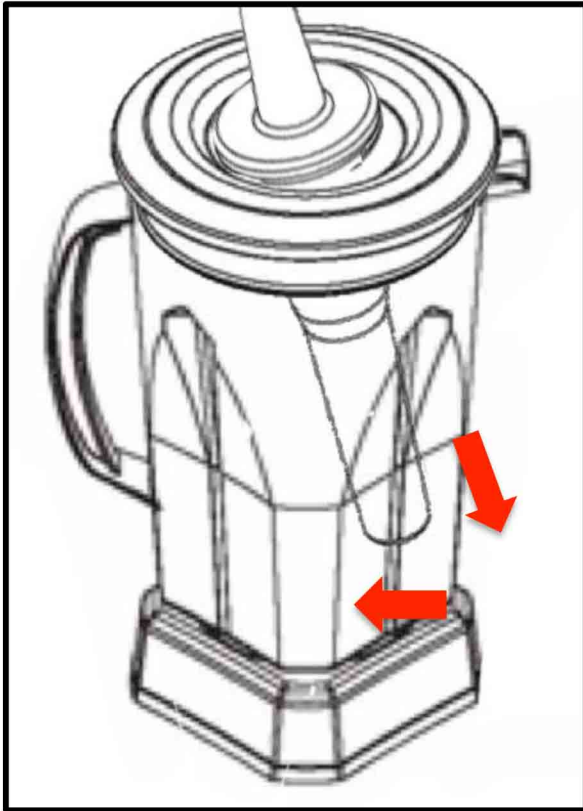


adjust the auto timer

STEP 4



pull up the power switch to start the operation



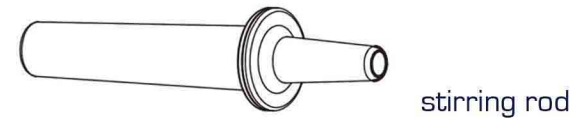
how to stir the stirring rod

When stir the stirring rod, point down to the corner of the jar and goes to the middle. Stir to help the blenders to make the wave action.

Put the JAR COVER and LID PROPERLY into the blender jar



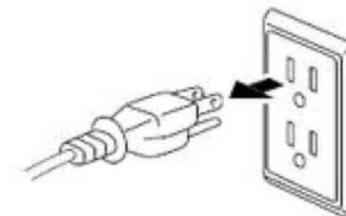
When using the stirring rod, blender jar MUST be covered with jar cover



DO NOT put finger when the blender is in working process



Before cleaning the machine or blender jar, remember to UNPLUG the cord



DO NOT let any liquid reach inside the machine.

Ex: Water, milk, fructose, etc



DO NOT let any insects reach inside the machine



DO NOT put ice cube or ingredients until the whole jar



1. The blender is provided with “Overload Protection Device”, when the temperature is over heat, the machine will turn off automatically.
2. Please unplug the power cord for 15 minutes. When the temperature back to normal, blender is ready to use again
3. If there is any sparkles or flames happened during operation. Please unplug it immediately and call nearest dealers or our company as soon as possible