



www.xgcargo.com

Bronco Rail Station Tailgate Organizer XG-508

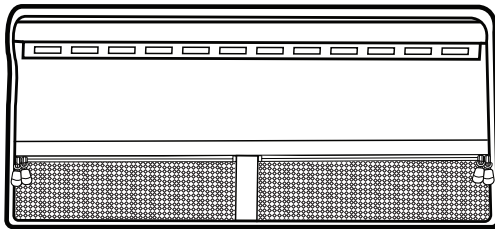
USER MANUAL

Fits Bronco 2021 -Current

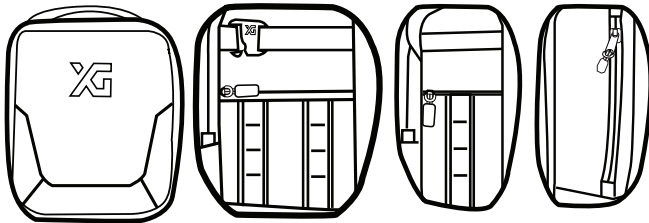
Patent Number: US11498490B1

PARTS LIST:

- **1** Mounting Panel

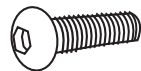


- **4** Storage Bags



FASTENER LIST:

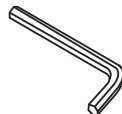
- **3** 3/8 16unc Bolts



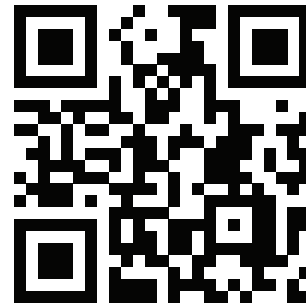
- **3** Rubber Expansion Nuts



- **1** Wrench



SCAN FOR INSTRUCTIONAL VIDEO:



Scan the QR code with your smartphone and it will take you to the link below:

<https://qrgo.page.link/yYQYH>

TOOLS NEEDED:

Tool Supplied

INSTALLATION TIME & SKILL LEVEL:



15-20 minutes, Skill Level 01

WARNING!

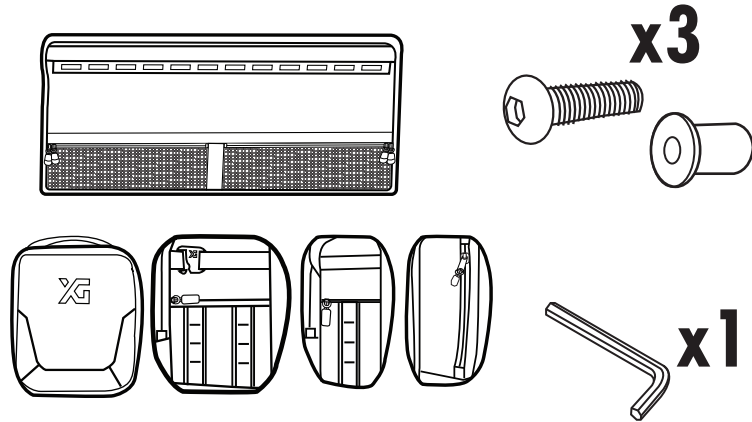
XG Cargo Rail Station tailgate organizer is not intended for non automotive applications. Do not store more than 2lbs lbs per bag.

Damage may occur if bags are overloaded. Do not store sharp objects, hazardous materials or liquids in bags.

Do not use excessive force on track or clips. These are plastic and could be damaged with excessive force.

STEP 01:

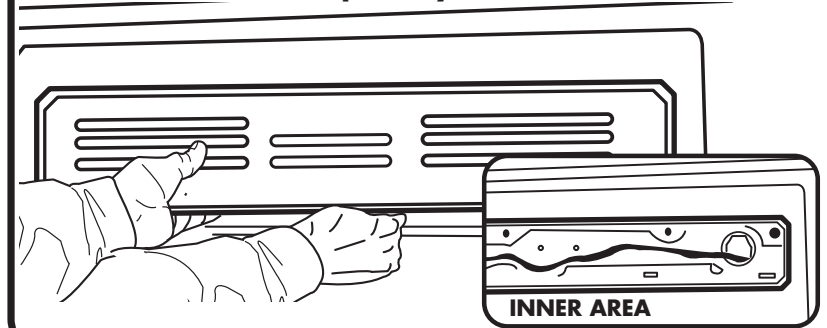
Remove all components from box and be sure all components including fasteners are intact.



STEP 02:

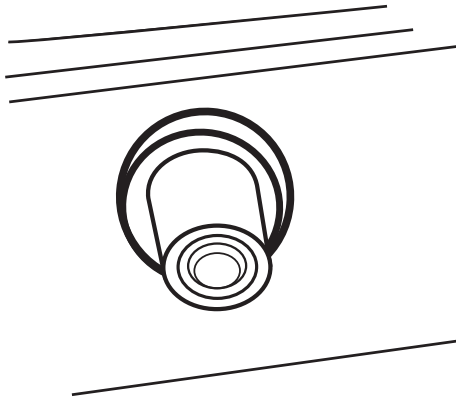
Remove tailgate trim piece. Using trim removal tool, start at bottom and work around trim. The three holes on right will be used. These holes will accept the rubber expansion nuts.

Do not start at top of plastic trim as clips may break!



STEP 03:

Install each bolt & washer through the three holes under Rail Station track and thread on the rubber expansion nut loosely.

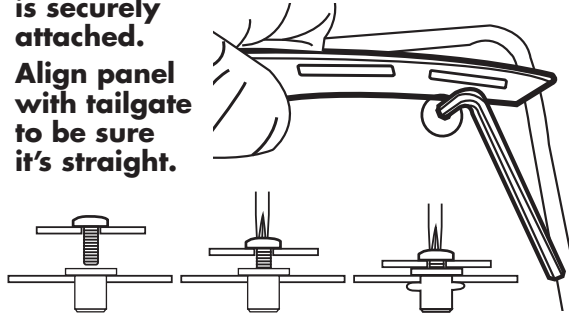


STEP 04:

Holding the mounting panel, start from either side and push the expansion nut into the corresponding hole and using pressure to hold the rubber nut in place, tighten each securely.

Do not overtighten bolts. Hand tight is adequate. Test to be sure the panel is securely attached.

Align panel with tailgate to be sure it's straight.



STEP 05:

Install each bag. To attach bags, slide finger under track and separate from panel slightly. Attach clip onto track without letting Velcro engage. Once securely attached to track, push lower part of bag onto Velcro. Reverse to remove. This may take a few times to master.

