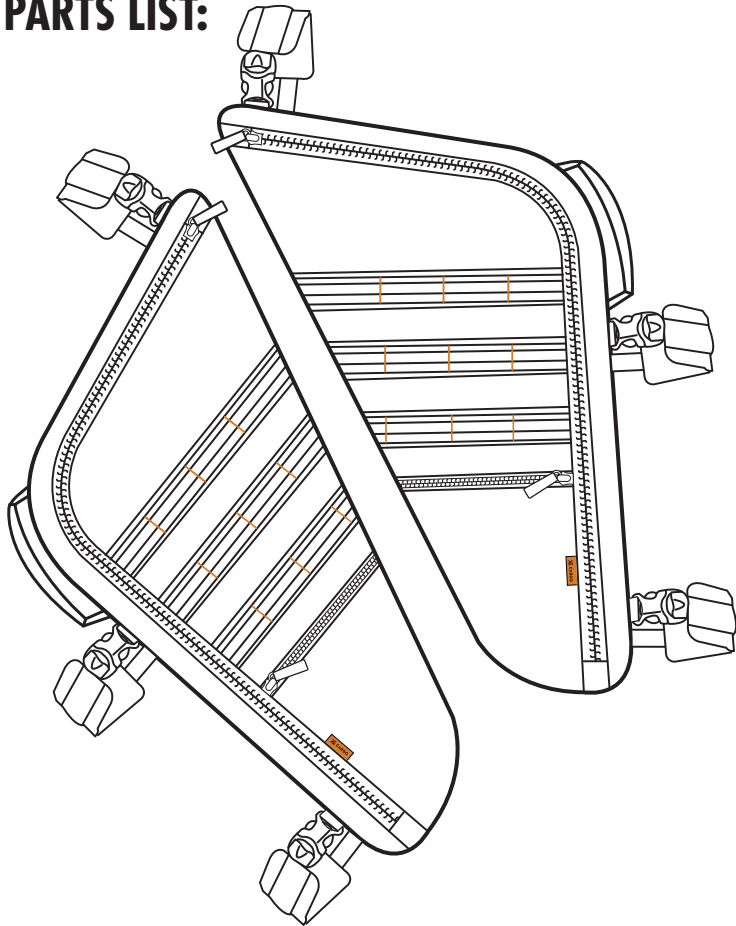
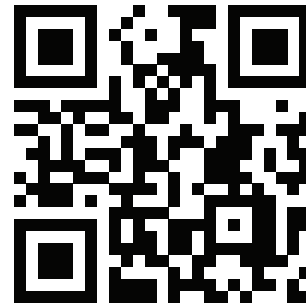


PARTS LIST:



- 2 Magellan Sportsbar Bags

SCAN FOR INSTRUCTIONAL VIDEO:



Scan the QR code with your smartphone and it will take you to the link below:

<https://qrgo.page.link/yYQYH>

TOOLS NEEDED:

NONE

INSTALLATION TIME & SKILL LEVEL:



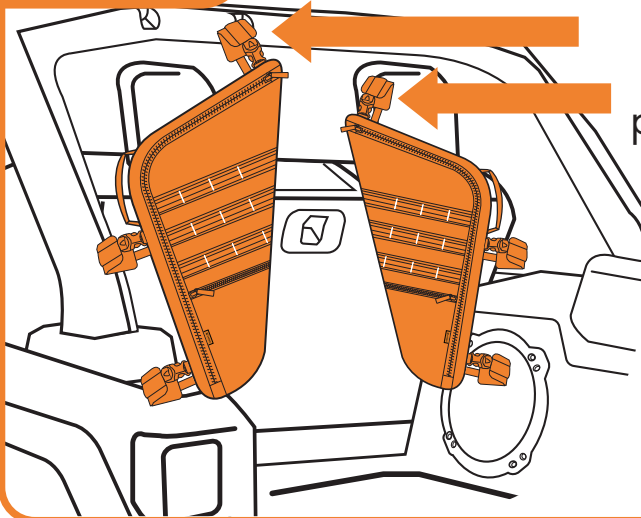
5-10 minutes, Skill Level 01

WARNING!

Magellan bags are not intended to store gear or objects that weigh more than 10 lbs. total per bag. Damage to bags and/or sport bar may occur if bags are overloaded. Be sure all straps are fastened properly and securely before operating vehicle. Please use caution when loading gear into bags. Do not load sharp objects unless properly protected. Magellan bags are water resistant and not water proof.

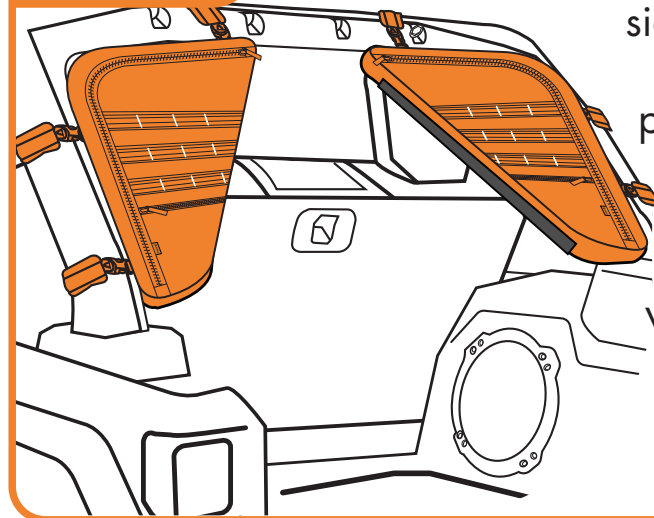
XG warrants all products for workmanship only and cannot assume responsibility for product abuse by the end user.

STEP 01:



Install top strap first. Be sure foam protector is in place. Place webbing tail in retainers

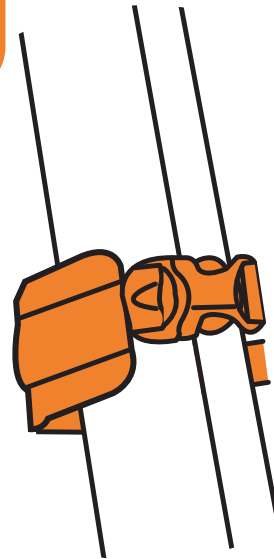
STEP 02:



Install two side straps. Be sure foam protectors are in place.

Place webbing tails in retainers

STEP 03:



Make sure straps are tightly buckled and secured.