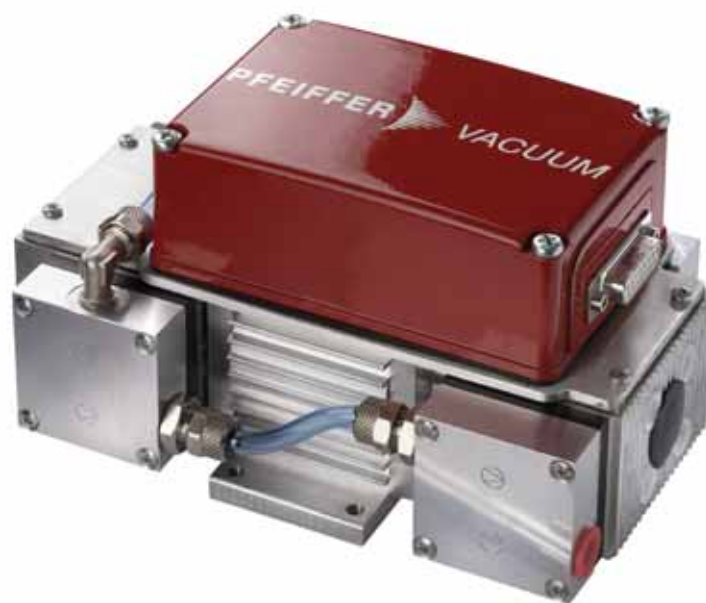


## Diaphragm Pump



**MVP 006-4**

# Index

---

	Page
<b>1. Safety Precautions.....</b>	<b>3</b>
1.1. For Your Orientation.....	4
1.2. Pictogram Definitions.....	4
<b>2. Understanding The Pump.....</b>	<b>5</b>
2.1. Main Features .....	5
<b>3. Installation .....</b>	<b>6</b>
3.1. Setting Up The Pump And Location.....	6
3.2. Connecting The Vacuum Side.....	6
3.3. Connecting The Pressure Side .....	6
3.4. Connecting To Power Supply.....	7
<b>4. Operations.....</b>	<b>8</b>
4.1. Important Information .....	8
4.2. Switching On The Pump .....	8
4.3. Select rotation speed control .....	8
4.4. Shutting Down The Pump.....	8
<b>5. What To Do In Case Of Breakdown? .</b>	<b>9</b>
<b>6. Maintenance.....</b>	<b>10</b>
6.1. Precautionary Measures During Maintenance Work .....	10
6.2. Cleaning And Replacing Valves And Diaphragm	10
<b>7. Service .....</b>	<b>11</b>
<b>8. Technical Data .....</b>	<b>13</b>
8.1. Dimensions.....	13
8.2. Substances Which Come Into Contact With The Medium.....	14
<b>9. Spare Parts .....</b>	<b>14</b>
<b>10. Accessories.....</b>	<b>14</b>
<b>Contamination Declaration .....</b>	<b>15</b>
<b>Conformity Declaration .....</b>	<b>last page</b>

**Please note:**

Current operating instructions are also available via  
[www.pfeiffer-vacuum.net](http://www.pfeiffer-vacuum.net).

Modifications reserved

# 1. Safety Precautions

---

Obey all relevant safety requirements (regulations and guidelines) and adopt suitable safety measures.

- ☞ Read and follow all the instructions in this manual.
- ☞ Inform yourself regarding:
  - Hazards which can be caused by the pump;
  - Hazards which can arise in your system;
  - Hazards which can be caused by the medium being pumped.

Use the equipment for the intended use only (for generation of vacuum).

- ☞ Avoid pumping of suddenly decomposing gases.
- ☞ Adopt suitable measures to prevent any danger arising from the formation of hot surfaces or electric sparks.
- ☞ Do not expose any body parts to the vacuum.
- ☞ Obey notes on correct vacuum and electrical connections, see section "Use and operation".
- ☞ Make sure that the individual components are only connected, combined and operated according to their design and as indicated in the instructions for use.
- ☞ Observe the safety and accident prevention regulations.
- ☞ Check regularly that all safety precautions are being complied with.
- ☞ Do not carry out any unauthorised conversions or modifications on the pump.
- ☞ Check that mains voltage and current conform with the equipment (see rating plate).
- ☞ When returning the pump to us please note the shipping instructions in the Service Section.

Due to the residual leak rate of the equipment, there may be an exchange of gas, albeit extremely slight, between the environment and the vacuum system.

- ☞ Adopt suitable measures to prevent contamination of the pumped substances or the environment.

Electronic equipment is never 100% fail-safe. This may lead to an indefinite status of the equipment. Provide protective measures against malfunction and failure.

- ☞ Stand still of the pump or operating a valve must not lead to a critical dangerous situation under any circumstances.

Ensure that in case of failure the pump and the vacuum system always will turn into a safe status.

- ☞ In case of diaphragm cracks or leaks in the manifold pumped substances might be re-released into the environment or into the pump housing.
- ☞ Obey especially notes on operation and use and maintenance.

Use only genuine spare parts and accessories.

- ☞ Otherwise safety and performance of the equipment as well as the electromagnetic compatibility of the equipment might be reduced.

- ☞ Ensure that maintenance is done only by suitable trained and supervised technicians. Obey local and national safety regulations. If necessary the pump should be decontaminated.

- ☞ Before starting maintenance work vent the system, isolate the pump and other components from the vacuum system and the electrical supply and allow sufficient cooling of the pump.




## 1.1. For Your Orientation

### Instructions in the text

➔ Operating instructions: Here you have to do something!

### Symbols used

The following symbols are used throughout in the illustrations:

-  Intake connection
-  Pressure side
-  Power supply connection

### Position numbers

Identical components and accessories parts have the same position numbers in all illustrations.

## 1.2. Pictogram Definitions



Danger of personal injury.



Danger of an explosion.



Danger of damage to the pump or system.



Danger of burns from touching hot parts.



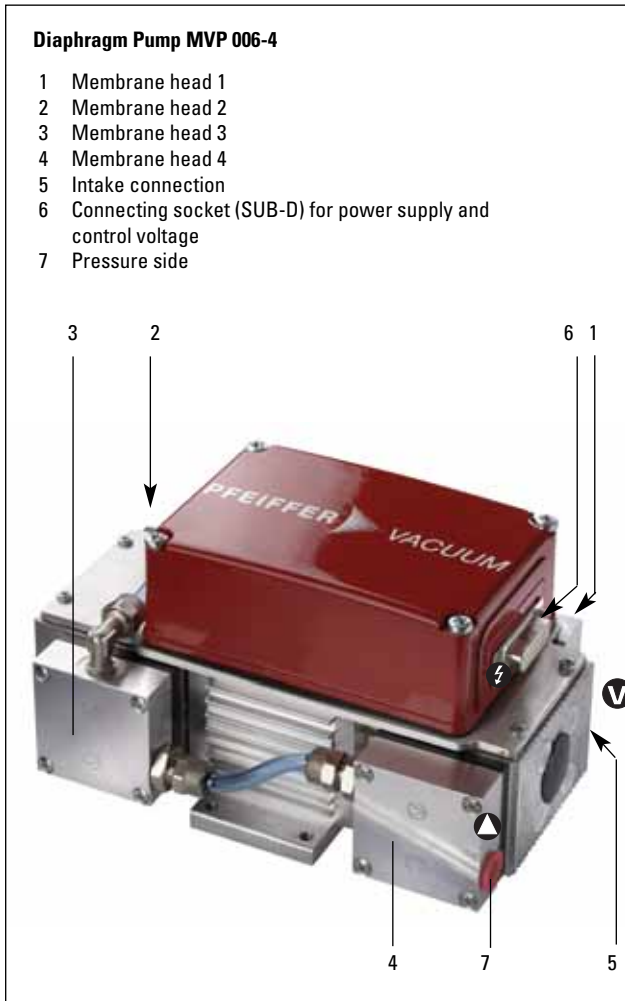
Danger of an electric shock.



Important note.

## 2. Understanding The Pump

### 2.1. Main Features



#### Proper use

- The Diaphragm Pump may only be used for the purpose of generating vacuum.
- Spare parts and accessories other than those named in this manual may not be used without the agreement of Pfeiffer Vacuum. Only use the power supply units TPS 100 or TPS 150 to operate the pump.
- Do not use the connecting line as a handle.
- Ensure that installation is in compliance with limitations from the degree of protection, see section "Technical Data".

#### Improper Use

The following are regarded as improper:

- The pumping of corrosive gases.
- The pumping of explosive gases.
- Operating the pump in locations where there is an explosion hazard.
- The pumping of gases which are contaminated with particles, dust and condensate.
- The Pump may not be used for the purpose of generating pressure.
- The pumping of liquids.
- Connection to pumps and units which is not permitted according to their operating instructions.
- Connection to units which contain touchable and voltage carrying parts.

**Improper use will cause any rights regarding liability and guarantees to be forfeited.**

## 3. Installation

### 3.1. Setting Up The Pump And Location

Obey national safety regulations and safety requirements concerning the use of vacuum and electrical equipment.

- ➔ Remove all packing material, remove the product from its packing-box, remove the protective covers from the inlet and outlet ports and keep, inspect the equipment.
- ➔ If the equipment is not used immediately, replace the protective covers. Store the equipment in suitable conditions.
- ➔ Read and obey this manual before installing or operating the equipment.
- ➔ If the equipment is brought from cold environment into a room for operation, allow the equipment to warm up (pay attention to water condensation on cold surfaces).
- ➔ Make sure ventilation is adequate if pump is installed in a housing or if ambient temperature is elevated.
- ➔ Provide a firm level platform for the equipment and check that the system to be evacuated is mechanically stable and that all fittings are secure.  
Attention: Flexible elements tend to shrink when evacuated.
- ➔ Adopt suitable measures in case of differences, e. g. using the equipment outdoors, installation in altitudes of more than 2000 m above mean sea level, conductive pollution or dewiness.
- ➔ Use fixing holes to screw-on the pump to a base plate.
- ➔ Ambient temperature range + 5 ... +40 °C.
- ➔ Where rack installation is involved, ensure adequate ventilation.

### 3.2. Connecting The Vacuum Side

- ➔ Remove locking cap on intake connection.
- ➔ Make connection between the vacuum system and pump as short as possible.
  - Ensure no mechanical forces act on the pump by a rigid piping system; use elastic connections or bellows.
- ➔ Connect pump with intake connection to the apparatus.
- ➔ Obey maximum permitted pressures and pressure differences, see section "Technical data". Do not operate the pump with overpressure at the inlet.
- ➔ If liquid - which would generate vapours - is present in the system to be evacuated, a condensate trap must be fitted upstream of the pump.

### 3.3. Connecting The Pressure Side



Pressure can rise to dangerous levels in exhaust lines. Therefore, lay exhaust side lines without shut-off units. Do not connect the exhaust side with a closed system on account of the danger of bursting.

In certain applications, exhaust gases and vapours can be very hot and represent a health and/or environment hazard.

- ➔ Lay lines from the pump sloping downwards so that condensate cannot run back into the pump, otherwise fit a separator.
- ➔ Due to the high compression ratio of the pumps, pressure at the outlet port might be generated being higher than the max. permitted pressure compatible with the mechanical stability of the system.
- ➔ Do not permit any uncontrolled pressurizing (e. g. make sure that the exhaust pipeline cannot become blocked). If you have an exhaust-isolation valve, make sure that you cannot operate the equipment with the valve closed. Risk of bursting!
- ➔ Ensure that the system design does not allow the exhaust pipeline to become blocked.
- ➔ The diameter of the inlet and outlet pipeline should be at the least as large as the diameter of the pump connection pipelines.

### 3.4. Connecting to Power Supply



Power connections must comply with local regulations. Permissible input voltage range of the power supply unit must correspond to the available mains voltage. The power supply unit may only be connected to mains current with earthed conductor.



The pump has integrated reverse voltage protection. The pump will not start if the polarity is reversed.

- ➔ Operate the pump with safety extra-low voltage of 24 V in accordance with the specifications on the rating plate.
  - Supply power with power unit TPS 100 or TPS 150 only.
- ➔ Connect (earth) pump base to frame potential as defined.

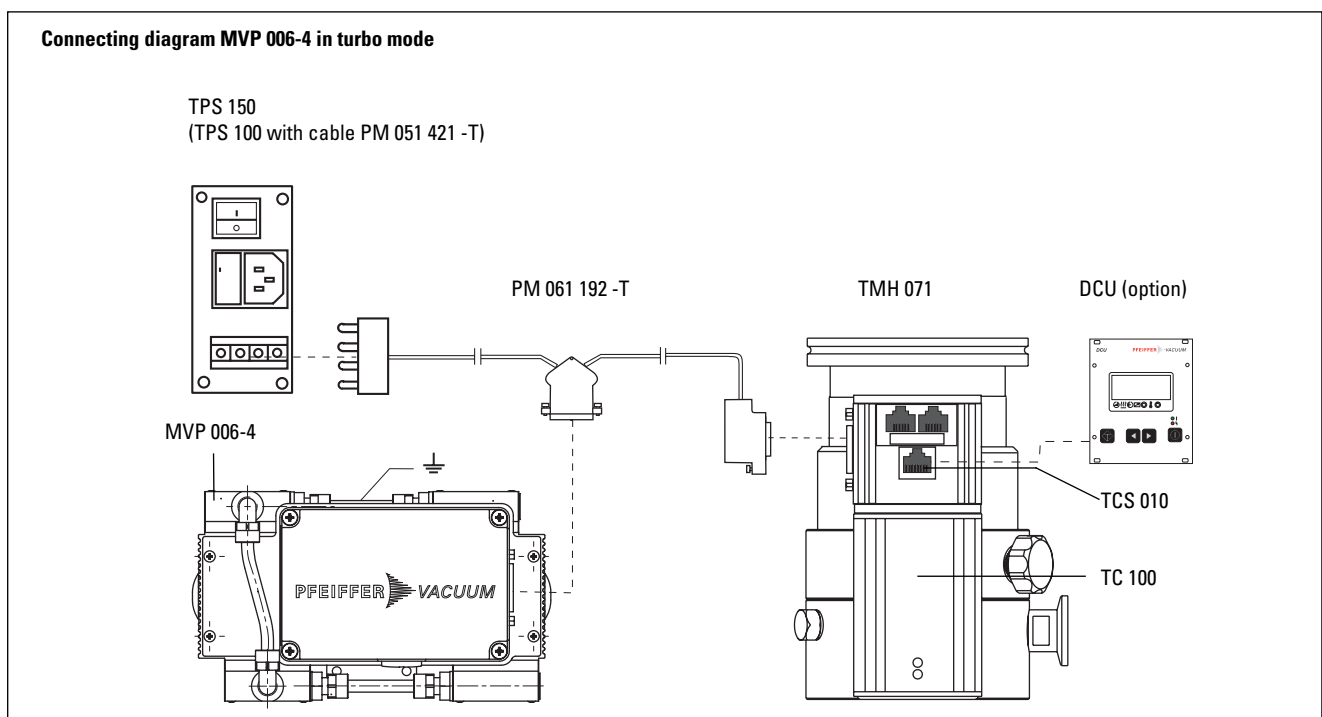
#### Stand-alone operation with TPS 100

- ➔ Connect power supply via connection cable (PM 051 421 -T) with TPS 100.
  - The pump starts immediately when the power unit is switched on; the MVP 006 does not have a separate power switch.

#### Operation with turbopump in turbo mode operation with TPS 150

If the MVP 006-4 is to be operated with a TPD 011 or TMH 071, Turbo mode must be selected.

- ➔ Connect power supply via connection cable (PM 061 192 -T) with TPS 150.
  - The pump starts immediately when the TPS power unit is switched on; the MVP 006 does not have a separate power switch.



## 4. Operations

### 4.1. Important Information



Observe the permissible intake and exhaust pressures, since otherwise the motor may seize and become damaged. Mixing up the connections leads to a dangerous overpressure overload.



Prevent internal condensation, transfer of liquids or dust. The diaphragm and valves will be damaged, if liquids are pumped in significant amount!



When the pump is running, surfaces and motor casing become hot.



If the pump is subjected to condensates it should be allowed to run for a few minutes under atmospheric pressure before switching off.

### 4.2. Switching On The Pump

- ➔ Switch the pump on and off using the TPS.



The pump can be switched on and off at all times.

### 4.3. Select rotation speed control

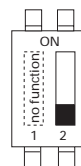
#### Standalone operation

In the the standalone operation mode the pump can be operated in two different modes: High-speed mode and Low-speed mode.

To select the operating mode, the DIP switch 2 on the control board in the terminal box must be set.

- ➔ Select the desired DIP switch setting on the PCB.
- ➔ Connect power supply via connection cable (PM 051 421 -T) with **TPS 100**.

#### Operating modes for stand-alone operation



DIP switch 2 setting: "OFF"  
**High-speed mode**  
(factory setting and Turbo mode)



DIP switch 2 setting: "ON"  
**Low-speed mode**

#### Operation in Turbo mode

If the MVP 006-4 is to be operated with a TPD 011 or TMH 071, Turbo mode must be selected.

- ➔ Connect power supply via connection cable (PM 061 192 -T) with TPS 150.
- ➔ Select the DIP switch setting "OFF".
- ➔ When the rotation speed of the turbo pump which is being used reaches the pre-set switch-point of 80 % of the maximum rotation speed ( $f_{max}$ ), then the rotation speed of the MVP 006-4 is lowered.
  - The preset trigger point can be varied in the range from 50 ... 97 % using parameter 701 in the TC 100 (see also operating manual "PM 0547 BN Pump operation with DCU").

### 4.4. Shutting Down The Pump

#### For a short time after accumulation of condensate:

- ➔ Allow the pump to continue running for a few minutes with open intake connection.
- ➔ After having pumped aggressive media, clean pump heads and remove deposits; check for damage if necessary.

#### Shutting down for longer periods

- ➔ Carry out measures as described for a short time stop.
- ➔ Disconnect intake and connection line from the vacuum equipment.
- ➔ Close intake and pressure connections.
- ➔ Store pump dry.



## 5. What To Do In The Case Of Breakdowns ?

Problem	Possible cause	Remedy
Pump fails to start or stops immediately.	<ul style="list-style-type: none"> <li>➔ Missing or wrong connected power supply</li> <li>➔ Pressure in outlet pipeline too high?</li> <li>➔ Motor overloaded?</li>   <li>➔ Dirty valves/diaphragms</li> <li>➔ Ambient temperature &lt; 5 °C</li> <li>➔ Pump seized or con-rod rough-running</li> </ul>	<ul style="list-style-type: none"> <li>☞ Check power supply (24V/DC) check polarity; reverse if necessary</li> <li>☞ Remove blockade in line, open valve.</li> <li>☞ Allow motor to cool, identify cause of failure.</li> <li>☞ See maintenance in section 6.</li> <li>☞ Warm pump</li> <li>☞ Return the equipment to Pfeiffer Vacuum service</li> </ul>
Pump does not achieve ultimate total pressure or normal pumping speed	<ul style="list-style-type: none"> <li>➔ Long narrow line?</li>   <li>➔ Pump has been exposed to condensate?</li> <li>➔ Deposits have been formed inside the pump?</li> <li>➔ Hose connectors between pump are leaky</li> </ul>	<ul style="list-style-type: none"> <li>☞ Use line with larger diameter, length as short as possible.</li>   <li>☞ Run pump at atmospheric pressure for a few minutes.</li> <li>☞ Clean and inspect pump heads.</li>   <li>☞ Check hose connectors between pump heads for leaks.</li> </ul>
	<ul style="list-style-type: none"> <li>➔ Valves or diaphragm damaged?</li> <li>➔ New diaphragms or valves</li>   <li>➔ Outgasing substances or vapour generated in the process?</li> <li>➔ Leak in system</li> <li>➔ Pump becomes too hot</li> </ul>	<ul style="list-style-type: none"> <li>☞ Replace valves and/or diaphragms.</li> <li>☞ A run-in period of several hours is required before the pump achieves its ultimate vacuum.</li> <li>☞ Check process parameters.</li>   <li>☞ Repair leak</li> <li>☞ Ensure enough cooling or reduce input pressure.</li> </ul>
Pump too noisy.	<ul style="list-style-type: none"> <li>➔ Valves or diaphragm damaged?</li> <li>➔ Atmospheric or high pressure at inlet port?</li> <li>➔ Exhaust silencer is loose or missing</li> <li>➔ Con-rod or motor bearing defective</li> <li>➔ None of above mentioned causes?</li> </ul>	<ul style="list-style-type: none"> <li>☞ Replace valves and/or diaphragms.</li> <li>☞ Connect hose to pump outlet.</li>   <li>☞ Check silencer; exchange if necessary</li>   <li>☞ Return the equipment to Pfeiffer Vacuum service</li> <li>☞ Return the equipment to Pfeiffer Vacuum service.</li> </ul>

## 6. Maintenance

### 6.1. Precautionary Measures During Maintenance Work



Whenever working on the pump ensure the motor cannot get switched on. If necessary, remove pump from the system for inspection. Before dismantling allow the pump to cool down.

- ➔ Only dismantle the pump as far is necessary to effect repairs.
- ➔ Use only alcohol or similar cleaning agents for cleaning. Do not use solvents.

All bearings are encapsulated and are filled with long-life lubricant. The valves and the diaphragms are wear parts. If the rated ultimate vacuum is no longer achieved, the pump interior, the diaphragms and the valves must be cleaned and the diaphragms and valves must be checked for cracks or other damage.

Depending on individual cases it may be efficient to check and clean the pump heads on a regular basis.

#### Service life of the diaphragms and valves

If the pump is operated primarily in Low-speed mode, a life of > 12,000 operating hours can be expected.

If the pump is operated primarily in High-speed mode, a life of > 8,000 operating hours can be expected.

### 6.2. Cleaning And Replacing Valves And Diaphragm



There can be different numbers of washers 17 in each membrane head. Ensure the correct assignment for mounting when dismantling the membrane heads. Don't interchange the washers 17.

#### Dismantling the pump

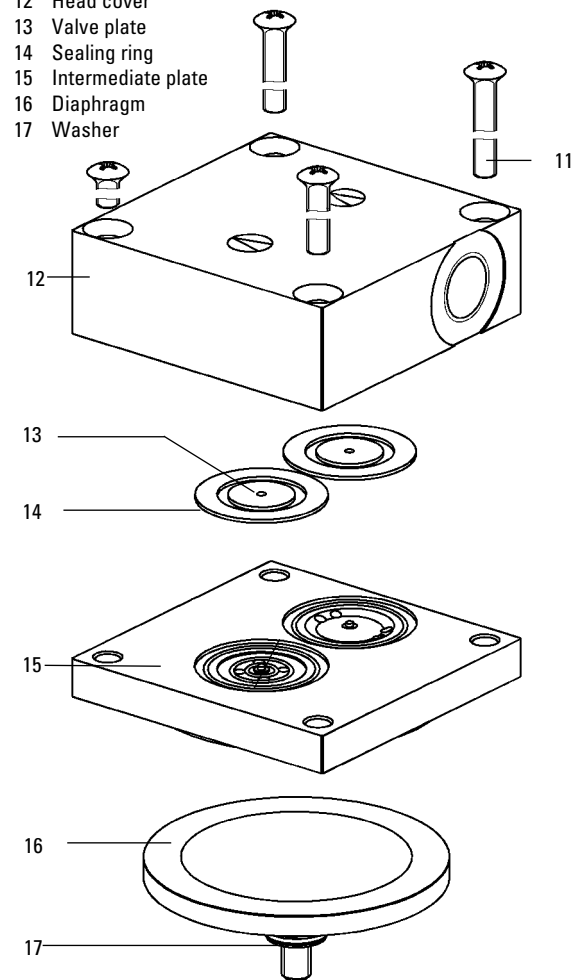
- ➔ Allow the pump to cool down before dismantling.
- ➔ Detach intake and exhaust line from the pump.
- ➔ As far as possible place pump on its side so that the head to be dismantled points up.
- ➔ Use open-ended wrench SW 12 to remove fitting 10.1 at the interhead connection 10 and remove connecting hose one-sided.
- ➔ Using an SW 3 key, unscrew the four crosshead screws 11 and remove head cover 12, taking care with the two valve plates 13 and sealing rings 14.
- ➔ Remove intermediate plate 15.
- ➔ Use a small screwdriver to carefully ease out diaphragm 16 and manually unscrew from the connecting rod (right-hand thread). Look out for possible washers 17.

#### Mounting the diaphragm heads

- ➔ All parts should be cleaned only with alcohol or similar cleaning agents. Please check diaphragm valves and seals for mechanical damage and replace if necessary. In case of diaphragm change please use the existing washers 17. If the washers are missing the pump will not reach final pressure.
- ➔ Assemble all parts in reverse order. The connecting rod should be positioned in the upper dead point when fitting the diaphragm.
- ➔ Screw in diaphragm and tighten by hand.
- ➔ Check correct sealing ring 14 seating.
- ➔ Assemble membrane heads, ensure correct positioning of all parts; mind the markings at head cover, intermediate plate and pump housing.
- ➔ Re-make interhead connection 10 and re-tighten hose fitting 10.1.
- ➔ Test pump for function.

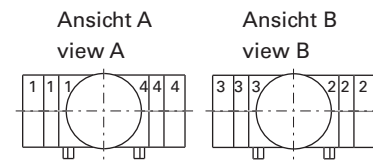
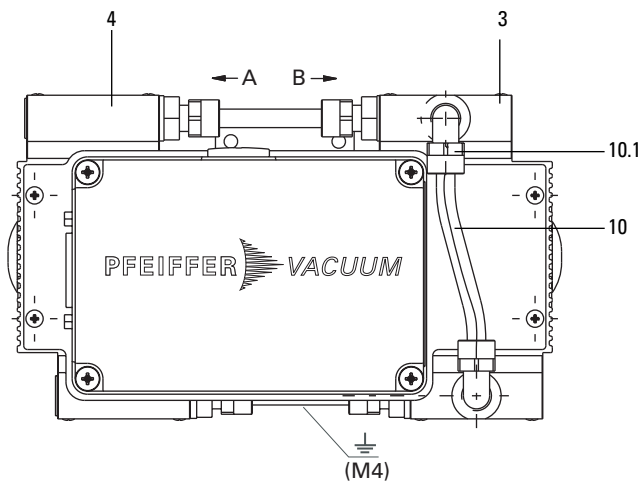
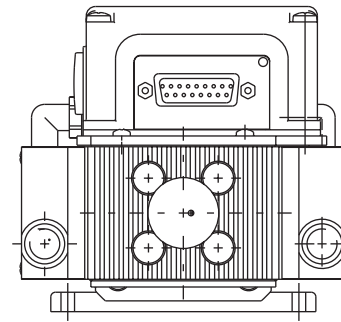
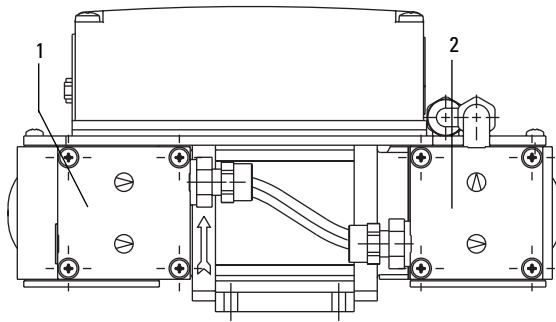
#### Dismantling the diaphragm heads

- 11 Crosshead screw
- 12 Head cover
- 13 Valve plate
- 14 Sealing ring
- 15 Intermediate plate
- 16 Diaphragm
- 17 Washer



**Dismantling the membrane heads**

- 1 Membrane head 1
- 2 Membrane head 2
- 3 Membrane head 3
- 4 Membrane head 4
- 10 Interhead connection
- 10.1 Hose fitting
- 11 Crosshead screw



## 7. Service

---

### Do Make Use Of Our Service Facilities

In the event that repairs are necessary to your pumping station, a number of options are available to you to ensure any system down time is kept to a minimum:

- Have the pump repaired on the spot by our Pfeiffer Vacuum Service Engineers;
- Return the individual components to the manufacturer for repairs;
- Replace individual components with a new value exchange units.

Local Pfeiffer Vacuum representatives can provide full details.

### Before Returning:

- ➔ When returning the pump please use original factory packing.
- ➔ Dismantle all accessories.
- ➔ If the pump free of harmful substances, please attach a clearly visible notice: "Free of contamination" (to the unit being returned, the delivery note and accompanying paperwork).

Harmful substances" are substances and preparations as defined in current legislation. Pfeiffer Vacuum will carry out the decontamination and invoice this work to you if you have not attached this note. This also applies where the operator does not have the facilities to carry out the decontamination work. Units which are contaminated microbiologically, explosively or radioactively cannot be accepted as a matter of principle.

### Fill Out The Contamination Declaration

- ➔ In every case the "Contamination Declaration" must be completed diligently and truthfully.
- ➔ A copy of the completed declaration must accompany the unit; any additional copies must be sent to your local Pfeiffer Vacuum Service Center.

Please get in touch with your local Pfeiffer Vacuum representatives if there are any questions regarding contamination.



Decontaminate units before returning or possible disposal. Do not return any units which are microbiologically, explosively or radioactively contaminated.

### Returning Contaminated Units

If contaminated units have to be returned for maintenance/repair, the following instructions concerning shipping must be followed without fail:

- ➔ Neutralise the pump by flushing with nitrogen or dry air.
- ➔ Seal all openings to the air.
- ➔ Seal pump or unit in suitable protective foil.
- ➔ Ship units only in appropriate transport containers.



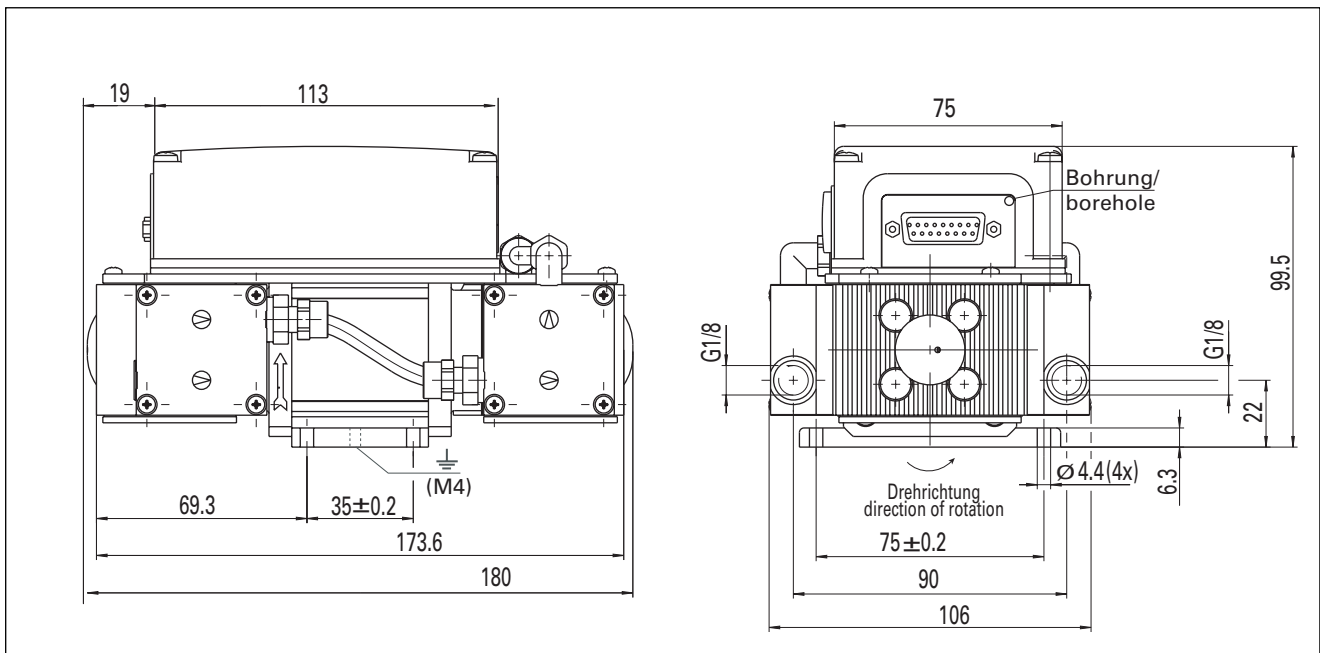
Repair orders are carried out according to our general conditions of sale and supply.

- ➔ If repairs are necessary, please send the unit together with a short damage description to your nearest Pfeiffer Vacuum Service Center.

## 8. Technical Data

Size	Unit	MVP 006-4
Connections		
Intake side		G 1/8" (at the pump)
Pressure side		G 1/8" (at the pump)
Nominal volume flow rate at 3000 min <sup>-1</sup>	m <sup>3</sup> /h	0,288
Nominal volume flow rate at 1000 min <sup>-1</sup>	m <sup>3</sup> /h	0,096
Rotational speed, max.	min <sup>-1</sup>	3000
Final pressure	mbar	≤ 2
Permissible intake pressure	mbar	1050
Permissible exhaust pressure	mbar	1300
Leak rate	mbar l/s	≤ 6 · 10 <sup>-2</sup>
Max. operating altitude (a. s. l.)	m	approx. 1000
Ambient temperature range	°C	+5 ... +40
Emission sound pressure level at 1000 min <sup>-1</sup>	dB(A)	45
Power supply	V	24 V/DC (± 10%)
Motor power, max.	W	21.6
Current, max.	A	0.9
Motor protection (insulation material class B)		IP 20
Weight, approx.	kg	1.8

### 8.1. Dimensions



## 8.2. Substances Which Come Into Contact With The Medium

Pump components	Substances in contact with the media
Pump head	Aluminium
Diaphragm	PTFE coated
Valves	EPDM
Hose connection, intake side	Polyethylene (LDPE)
Swiveling screw-fitting	CuZn nickel-plated
Straight screwed fitting	CuZn nickel-plated
Pressure side (silencer)	Polyamid
Hose of Interhead connection	Polyurethane
Screw in flange	Stainless steel (1.4305)

## 9. Spare Parts

Pos.	Description	Pieces	Size	Number	Comments
	MVP 006-4		24V/DC	PK T05 070 B	
	Overhaul kit	1		PU E22 011 -T	consisting of: 4x pos. 16, 8x pos. 13 and 14
13	Valve plate	8			
14	Sealing ring of valve plate	8			
16	Diaphragm	4			
7	Silencer	1	G 1/8"	P 0920 567 E	

When ordering accessories and spare parts please be sure to state the full part number. When ordering spare parts please state additionally the unit type and unit number (see rating plate).

## 10. Accessories

Pos.	Description	Pieces	Size	Number	Comments / Operating instructions	Order Quantity
	Small flange with sealing ring	1	DN 16 ISO-KF	PK 050 108-T	(for intake and pressure side)	
	TPS 100, 24 V/DC power supply <sup>1)</sup>	1	100 VA	PM 041 827 -AT	PM 800 521 BN	
	TPS 150, 24 V/DC power supply <sup>2)</sup>	1	150 VA	PM 051 461 -AT	PM 800 521 BN	
	Connecting cable TPS 100/150 - MVP 006-4	1	3 m	PM 051 421 -T	with plug 4 pole	
	Connecting cable TPS 100/150 - MVP 006-4	1	5 m	PM 051 422 -T	with plug 4 pole	
	Connecting cable MVP 006-4 with TMH 071 / TPD 011 - TPS 150	1	0,5 m	PM 061 192 -T	2x D-SUB plug 15 pole / 1x AMP plug 4 pole	
	Mains cable, 230V AC, safety plug CEE 7, EURO counter plug C 13	1	3 m	P4564 309 ZA		
	Mains cable, 115V AC, UL plug, NEMA 5-15P, EURO counter plug C 13	1	3 m	P4564 309 ZE		
	Hose connection DN 6 x 400 mm		G 1/8" and G 1/4"	P0 920 739 E	with straight fitting and sealing rings	
	Screw in flange with female thread		G 1/4"	PM 006 994	for TMH 071 / TPD 011	
	Swiveling screw-fitting with sealing ring for hose DN 6	1	G 1/8"	P0 920 773 E		

<sup>1)</sup> TPS 100: Power supply unit for MVP 006-4

<sup>2)</sup> TPS 150: Power supply unit for MVP 006-4 + TMH 071 / TPD 011

## Declaration of Contamination of Vacuum Equipment and Components

The repair and/or service of vacuum components will only be carried out if a correctly completed declaration has been submitted. Non-completion will result in delay.

The manufacturer could refuse to accept any equipment without a declaration.

**This declaration can only be completed and signed by authorised and qualified staff:**

**1. Description of component:**

- Equipment type/model: \_\_\_\_\_
- Code No.: \_\_\_\_\_
- Serial No.: \_\_\_\_\_
- Invoice No.: \_\_\_\_\_
- Delivery Date: \_\_\_\_\_

**2. Reason for return:**

\_\_\_\_\_

\_\_\_\_\_

\_\_\_\_\_

\_\_\_\_\_

**3. Equipment condition**

- Has the equipment been used?  
yes  no
- What type of pump oil was used?  
\_\_\_\_\_
- Is the equipment free from potentially harmful substances?  
yes  (go to section 5)  
no  (go to section 4)

**4. Process related contamination of equipment**

- toxic yes  no
- corrosive yes  no
- microbiological hazard\*) yes  no
- explosive\*) yes  no
- radioactive\*) yes  no
- other harmful substances yes  no

\*) We will not accept delivery of any equipment that has been radioactively or microbiologically contaminated without written evidence of decontamination!

Please list all substances, gases and by-products which may have come into contact with the equipment:

Tradename Product name Manufacturer	Chemical name (or Symbol)	Danger class	Precautions associated with substance	Action if spillage or human contact
1.				
2.				
3.				
4.				
5.				

### 5. Legally Binding Declaration

I hereby declare that the information supplied on this form is complete and accurate. The despatch of equipment will be in accordance with the appropriate regulations covering Packaging, Transportation and Labelling of Dangerous Substances.

Name of Organisation: \_\_\_\_\_

Address: \_\_\_\_\_ Post code: \_\_\_\_\_

Tel.: \_\_\_\_\_

Fax: \_\_\_\_\_ Telex: \_\_\_\_\_

Name: \_\_\_\_\_

Job title: \_\_\_\_\_

Date: \_\_\_\_\_ Company stamp: \_\_\_\_\_

Legally binding signature: \_\_\_\_\_



## **Konformitätserklärung** **Declaration of Conformity**



im Sinne folgender EU-Richtlinien:  
*pursuant to the following EU directives:*

- Maschinen/*Machinery* 98/37/EG (Anhang/*Annex* IIA)
- Elektromagnetische Verträglichkeit/*Electromagnetic Compatibility* 89/336/EWG
- Niederspannung/*Low Voltage* 73/23/EWG

Hiermit erklären wir, dass das unten aufgeführte Produkt den Bestimmungen der EU-Maschinenrichtlinie 98/37/EG, der EU-Richtlinie über Elektromagnetische Verträglichkeit 89/336/EWG und der EU-Niederspannungsrichtlinie 73/23/EWG entspricht.

*We hereby certify, that the product specified below is in accordance with the provision of EU Machinery Directive 98/37/EEC, EU Electromagnetic Compatibility Directive 89/336/EEC and EU Low Voltage Directive 73/23/EEC.*

Produkt/*Product*:

**MVP 006-4**

Angewendete Richtlinien, harmonisierte Normen und angewendete nationale Normen:

*Guidelines, harmonised standards, national standards which have been applied:*

**DIN EN ISO 12100-1; -2**

**DIN EN 61000-6-3**

**DIN EN 61000-6-2**

**EN 1012-2**

Unterschrift/*Signature*:



Pfeiffer Vacuum GmbH  
Berliner Str. 43  
35614 Asslar  
Germany

(W. Dondorf)  
Geschäftsführer  
*Managing Director*

Konf.I/2003





**Vacuum is nothing, but everything to us!**



**Turbopumps**



**Rotary vane pumps**



**Roots pumps**



**Dry compressing pumps**



**Leak detectors**



**Valves**



**Components and feedthroughs**



**Vacuum measurement**



**Gas analysis**



**System engineering**



**Service**

**PFEIFFER**  **VACUUM**

Pfeiffer Vacuum Technology AG · Headquarters/Germany

Tel. +49-(0) 64 41-8 02-0 · Fax +49-(0) 64 41-8 02-2 02 · [info@pfeiffer-vacuum.de](mailto:info@pfeiffer-vacuum.de) · [www.pfeiffer-vacuum.net](http://www.pfeiffer-vacuum.net)