

DRAWER ALIGNMENT - BLUM Runners

All of our servers, cabinets, and drawer units are assembled on a level floor within our factory and undergo a quality check to ensure level and straight drawer faces before shipping. If, once placed in its final position, the drawer faces of the unit are out of alignment please consult the instructions below to adjust them.

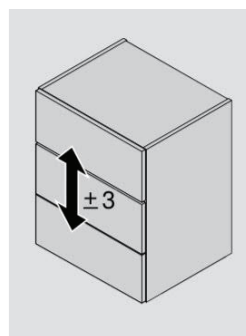
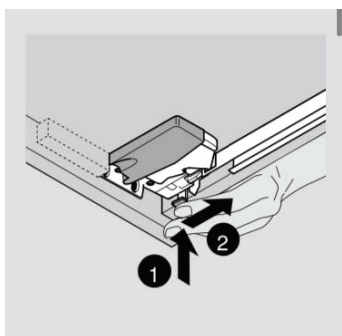
We have provided a 3mm mdf spacer as a guide - this is a standard distance between all of our drawers.

HEIGHT ADJUSTMENT

1. Open drawer to find grey tabs below the draw box at the front on the runner.
2. Adjust the height using these tabs.

ADJUST UPWARDS: Push tabs further towards the back of the drawer.

ADJUST DOWNWARDS: Pull tabs further towards the front of the drawer.



*NOTE: Runners have a 3mm range of motion in a vertical direction.

REMOVING DRAWERS

1. Open drawers to find the orange handle underneath.
2. Holding the drawer, squeeze the handles closed to release the drawer.
3. Pull the drawer upwards to derail it, and then forward to remove it.

REPLACING DRAWERS

1. Align drawer to draw runners and place down gently onto tracks.
2. Ensure the drawer equally balanced, and close drawer gently. If the drawer does not gently click into place, check the alignment or for other obstructions.