

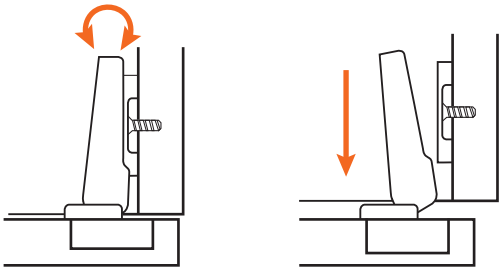
DOOR ALIGNMENT - BLUM Hinges

All of our servers, cabinets, and drawer units are assembled on a level floor within our factory and undergo a quality check to ensure level and straight doors before shipping. If, once placed in its final position, the doors of the unit are out of alignment please consult the instructions below to adjust them.

We have provided a 3mm mdf spacer as a guide - this is a standard distance between all of our doors.

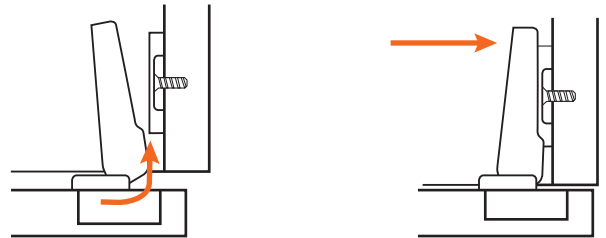
UNCLIP HINGE

1. Pinch the narrow end of the hinge to release.
2. Angle hinge away from cabinet wall to remove door.



CLIP HINGE

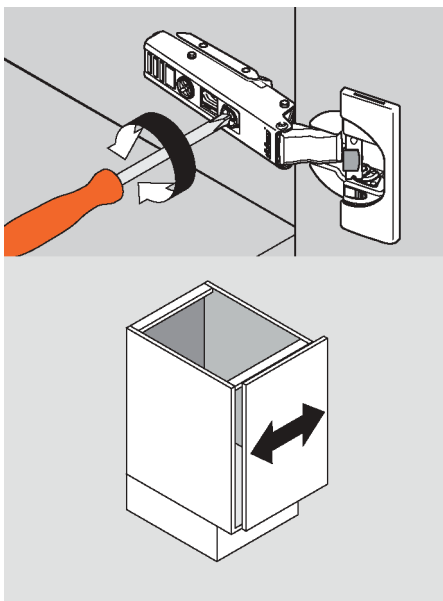
1. Angle hinge away from cabinet door. Approach with a side-forward motion to allow the hinge to clip into the hook.
2. When hooked, push narrow end of hinge towards the wall of the cabinet to secure. Listen for the click to confirm it is secure.



SIDE ADJUSTMENT

FRONT SCREW

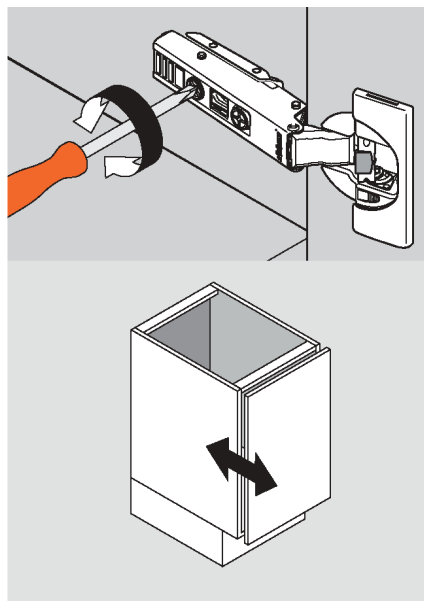
1. Tighten screw to adjust towards cabinet wall.
2. Loosen screw to adjust away from cabinet wall.



DEPTH ADJUSTMENT

BACK SCREW

1. Tighten screw to adjust backwards.
2. Loosen screw to adjust forwards.



HEIGHT ADJUSTMENT

FLANGE SCREWS

1. Remove door face.
2. Loosen screw to adjust hinge up or down.
3. Re-tighten screws to secure.

