



## DC Modular highlights

Easy in-system connection access due to top locked covers by convenient thumb screws.

Special fiber reinforced base material offers excellent high temperature properties, good chemical resistance and high strength.

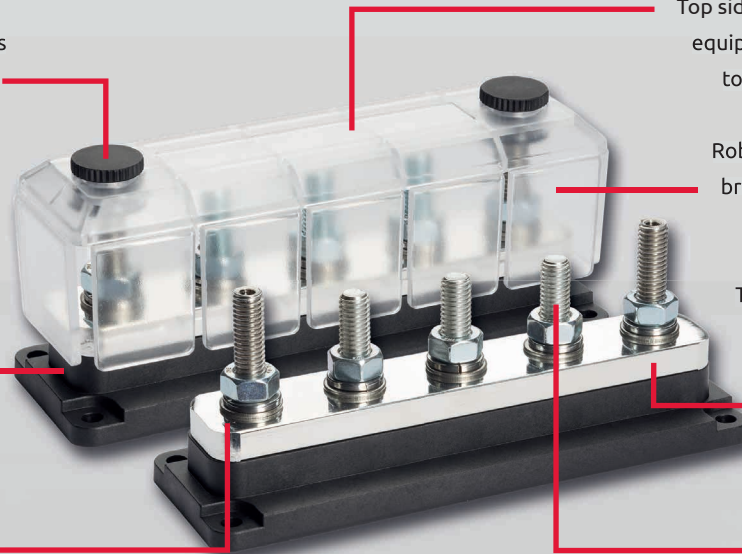
Smart terminal design allows dual mirrored cable lug connections.

Top sides of transparent covers are equipped with recessed locations to properly add custom labels.

Robust transparent covers with breakouts to allow wire access from any direction.

Tin plated high purity copper busses provide maximum conductivity, reducing heat and improving efficiency.

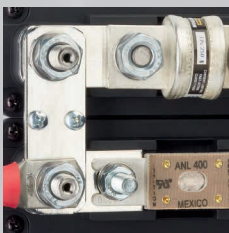
Stainless steel studs, nuts and washers for optimal corrosion resistance.



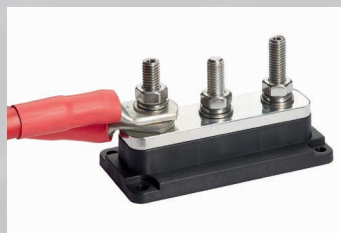
Transparent polycarbonate cover with break-out side skirts at each side, for easy cable entry.



The optional adapter plate allows a mixture of high- and low power cables to be connected to the same stud.



Multiple fuseholders and busbars can be connected to each other with the optional link plates.



Smart terminal design allows dual mirrored cable lug connections.



Application example of a compact DC Modular cluster containing the Expert Modular active shunt, a 3-Stud Busbar and two Fuseholders.

# High current Busbars

## Description

The DC Modular high current busbars are used to distribute high DC currents to a number of connected cables, or other DC Modular family members.

The solid and compact design, as well as the possibility to link up multiple busbars on a fixed grid, make these products the best choice for all professional DC power systems. The high current busbars are available with M8 or M10 stud sizes.

## 3 stud Busbar



 **GRID** OPTIMIZED FOOTPRINTS

Model	Art #	Grid size	Max. Current	Max. Voltage <sup>1)</sup>	Stud size	Dimensions
DCM 3xM8 Busbar	5073160	1 x 2	600A	60V	M8	100.0 x 50.0 x 64.5 mm
DCM 3xM10 Busbar	5073180	1 x 2	600A	60V	M10	100.0 x 50.0 x 64.5 mm

<sup>1)</sup> Higher voltages may require additional safety measures

## 5 stud Busbar



 **GRID** OPTIMIZED FOOTPRINTS

Model	Art #	Grid size	Max. Current	Max. Voltage <sup>1)</sup>	Stud size	Dimensions
DCM 5xM8 Busbar	5075160	1 x 3	600A	60V	M8	150.0 x 50.0 x 64.5 mm
DCM 5xM10 Busbar	5075180	1 x 3	600A	60V	M10	150.0 x 50.0 x 64.5 mm

<sup>1)</sup> Higher voltages may require additional safety measures

# Insulated Studs

## Description

The DC Modular single and dual insulated studs are ideal parts to extend cables, add power taps or form termination end-points.

The solid and compact design, as well as the possibility to link these up with other DC Modular family members, make these products the best choice for all professional DC power systems. The insulated studs are available with M8 or M10 stud sizes.

## Single Insulated Stud



## Features

- Stainless steel studs, nuts and washers for optimal corrosion resistance
- Special fiber reinforced base material offers excellent high temperature properties, good chemical resistance and high strength
- Unique grid optimized footprints allow space saving arrangements of multiple products
- Common interconnection heights for easy combining of multiple products using link plates
- Robust transparent covers with breakouts to allow wire access from any direction
- Top sides of transparent covers are equipped with recessed locations to properly add custom labels (Dual insulated stud only)
- Smart terminal design allows dual mirrored cable lug connections
- Easy in-system connection access due to top locked covers

Model	Art #	Grid size	Maximum Current	Max. Voltage <sup>1)</sup>	Stud size	Dimensions
DCM 1xM8 Single Stud	5071160	1 x 1	N/A	60V	M8	50.0 x 50.0 x 64.5 mm
DCM 1xM10 Single Stud	5071180	1 x 1	N/A	60V	M10	50.0 x 50.0 x 64.5 mm

<sup>1)</sup> Higher voltages may require additional safety measures

## Dual Insulated Stud



Model	Art #	Grid size	Maximum Current	Max. Voltage <sup>1)</sup>	Stud size	Dimensions
DCM 2xM8 Dual Stud	5072160	1 x 1.5	N/A	60V	M8	75.0 x 50.0 x 64.5 mm
DCM 2xM10 Dual Stud	5072180	1 x 1.5	N/A	60V	M10	75.0 x 50.0 x 64.5 mm

<sup>1)</sup> Higher voltages may require additional safety measures



# Fuseholders

## Description

A wide range of fuseholders are available in the DC Modular lineup, covering fuse Amp ratings from 35A up to 600A.

Fuseholders are offered for the Mega®, ANL and Class-T type of fuses, providing solutions for a wide range of applications. The solid and compact design, as well as the possibility to link up multiple fuseholders on a fixed grid, make these products the best choice for all professional DC power systems.

## Features

- Stainless steel studs, nuts and washers for optimal corrosion resistance
- Tin plated high purity copper busses provide maximum conductivity, reducing heat and improving efficiency
- Special fiber reinforced base material offers excellent high temperature properties, good chemical resistance and high strength
- Unique grid optimized footprints allow space saving arrangements of multiple products
- Common interconnection heights for easy combining of multiple products using link plates (except Mega and ANL (300A) fuseholders)
- Robust transparent covers with breakouts to allow wire access from any direction
- Smart terminal design allows dual mirrored cable lug connections
- Easy in-system connection access due to top locked covers (except Mega and ANL (300A) fuseholders)

## Mega Fuseholder



Model	Art #	Grid size	Fuse range <sup>1)</sup>	Max. Voltage <sup>2)</sup>	Stud size	Dimensions
DCM Mega Fuseholder	5073300	1 x 1.78 <sup>3)</sup>	40 .. 300A	60V	M8	89.0 x 50.0 x 53.0 mm

<sup>1)</sup> Compatible with Littelfuse® 'Mega' and Cooper Bussmann® 'AMG' fuses

<sup>2)</sup> Higher voltages may require additional safety measures

<sup>3)</sup> The Mega fuseholder is optimized for stand-alone use and is not compatible with link- and adapter plates

## ANL Fuseholder (300A)



Model	Art #	Grid size	Fuse range <sup>1)</sup>	Max. Voltage <sup>2)</sup>	Stud size	Dimensions
DCM ANL Fuseholder (300A) M8	5073500	1 x 2 <sup>3)</sup>	35 .. 300A	60V	M8	100.0 x 50.0 x 53.0 mm
DCM ANL Fuseholder (300A) M10	5073510	1 x 2 <sup>3)</sup>	35 .. 300A	60V	M10	100.0 x 50.0 x 53.0 mm

<sup>1)</sup> M8 version compatible with Littelfuse® 'CNN' and 'CNL' plus Cooper Bussmann® 'ANL' and 'ANN' fuses  
M10 version compatible with Littelfuse® '157.57' plus SIBA® '90 058 05' fuses

<sup>2)</sup> Higher voltages may require additional safety measures

<sup>3)</sup> The ANL Fuseholder has a grid optimized footprint but is not compatible with link- and adapter plates

## ANL Fuseholder (600A)



 **GRID** OPTIMIZED FOOTPRINTS



Model	Art #	Grid size	Fuse range <sup>1)</sup>	Max. Voltage <sup>2)</sup>	Stud size	Dimensions
DCM ANL Fuseholder (600A) M8	5073550	1 x 3	35 .. 600A	60V	M8	150.0 x 50.0 x 64.5 mm
DCM ANL Fuseholder (600A) M10	5073560	1 x 3	35 .. 600A	60V	M10	150.0 x 50.0 x 64.5 mm

<sup>1)</sup> M8 version compatible with Littelfuse® 'CNN' and 'CNL' plus Cooper Bussmann® 'ANL' and 'ANN' fuses

M10 version compatible with Littelfuse® '157.57' plus SIBA '90 058 05' fuses

<sup>2)</sup> Higher voltages may require additional safety measures

## Class-T Fuseholder (225-400A)



 **GRID** OPTIMIZED FOOTPRINTS



Model	Art #	Grid size	Fuse range <sup>1)</sup>	Max. Voltage <sup>2)</sup>	Stud size	Dimensions
DCM Class-T Fuseholder (400A)	5073850	1 x 3	225 .. 400A	60V	M10	150.0 x 50.0 x 64.5 mm

<sup>1)</sup> Compatible with Littelfuse® 'JLLN', Cooper Bussmann® / Edison® 'JJN' and 'TJN' and Mersen® 'A3T' fuses

<sup>2)</sup> Higher voltages may require additional safety measures

## Class-T Fuseholder (450-600A)



 **GRID** OPTIMIZED FOOTPRINTS



Model	Art #	Grid size	Fuse range <sup>1)</sup>	Max. Voltage <sup>2)</sup>	Stud size	Dimensions
DCM Class-T Fuseholder (600A)	5073880	1 x 3	450 .. 600A	60V	M10	150.0 x 50.0 x 64.5 mm

<sup>1)</sup> Compatible with Littelfuse® 'JLLN', Cooper Bussmann® / Edison® 'JJN' and 'TJN' and Mersen® 'A3T' fuses

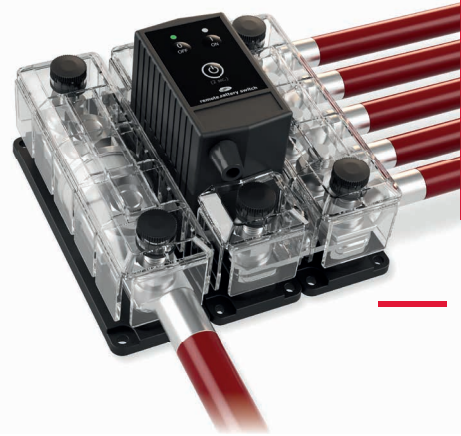
<sup>2)</sup> Higher voltages may require additional safety measures

# Contactors - Remote Battery Switch

## Description

The DC Modular Remote Battery Switch (RBS) is a smart high current magnetic latching contactor, that can handle continuous DC currents of up to 500Amps. The RBS can easily be installed in an engine room or battery compartment, while being controlled from a more convenient location by a small panel mounted switch. But the RBS can for instance also be controlled by a battery monitor or managed Lithium battery.

Besides controlling the RBS remotely, buttons positioned at the top also provide a way to open or close the main contact locally. For external control, the RBS is equipped with a 5 wire interface cable. It can be configured to accept two wire or single wire ON/OFF commands for optimal flexibility.



Very compact setup of DCM-RBS, Class-T fuseholder and 5xM10 busbar



## Technical specifications



Parameter	DCM-RBS-12-500 art # 5074510	DCM-RBS-24-500 art # 5074520
<b>Main contact circuit (electrical)</b>		
Rated voltage	60Vdc	
Nominal current	500A	
Cranking current (1min.)	1000A	
Nominal make / break current	500A (0..34Vdc) 350A (35..60Vdc)	
Peak make / break current	1600A (0..34Vdc) 1200A (35..60Vdc)	
<b>Control circuit (electrical)</b>		
Coil / supply voltage (+Vdc)	7..17Vdc	14..34Vdc
Coil / supply current (idle state) <sup>1)</sup>	< 100uA	
Coil / supply current (state change) <sup>1)</sup>	< 4A	< 3A
<b>General</b>		
Remote control	By control wires	
Local control <sup>2)</sup>	Top side buttons (On/Standby, Close contact, Open contact)	
Indicators	Top side LEDs for Contact open, Contact closed, Error and Setup	
Mechanical life	100000 cycles	
Electrical life	10000 cycles	
Operating temperature range	-20..+60°C	
Connection stud size	M10	
DC Modular grid size	1 x 3	
Protection class	IP65	
Dimensions	150.0 x 50.0 x 94.0 mm	
Weight	800 gr	
Standards	CE certified (EMC Directive 2014/30/EU, Low voltage Directive 2014/35/EU, RoHS Directive 2011/65/EU and Ignition protection standard ISO 8846)	

*Note: the given specifications are subject to change without notice.*

<sup>1)</sup> Due to the magnetic latch construction, the DCM-RBS draws virtually no current in the ON or OFF state. A current draw only exists shortly (500ms max) when changing the state of the contact.

<sup>2)</sup> Using the top side buttons, one can manually override the switch state as commanded through the control wires. A dedicated 'On/Standby' button also allows the user to put the DCM-RBS in a standby mode with open contact. In this mode any command from the control wires and/or manual override buttons are ignored.



# Accessories

## Description

Due to the common interconnection heights, smart space saving arrangements of multiple DC Modular products can be made by linking these together using the optional Link Plates.

We have managed to offer only three Link Plate sizes to create all possible combinations. All Link Plates are compatible with M8 and M10 studs. Additionally, we have equipped some Link Plates with two M4 screws to provide convenient connection points for smaller cables.

For this purpose only, we are also offering an Adapter Plate which allows a mixture of high and low power cables to be connected to the same stud. The Adapter Plate can be used on M8 and M10 studs and offers four connection points for smaller cables.

## Features

- Tin plated high purity copper busses provide maximum conductivity, reducing heat and improving efficiency
- Stainless steel M4 screws and washers provide convenient connection points for smaller cables
- Compatible with M8 and M10 studs

## Link Plate 41 mm

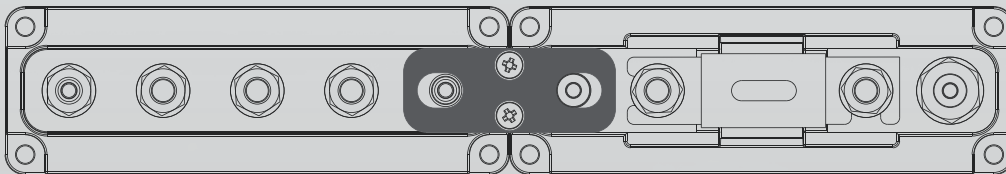


Model <sup>1)</sup>	Art #	Max. Current <sup>2)</sup>	Dimensions (L x W)	Accepts stud size
DCM Link Plate 41 mm	5079062	600A	63.0 x 25.0 mm	M8 + M10

<sup>1)</sup> Not compatible with "Mega" and "ANL (300A)" fuseholders

<sup>2)</sup> Current capacity can be doubled by stacking two Link Plates (after removal of M4 screws)

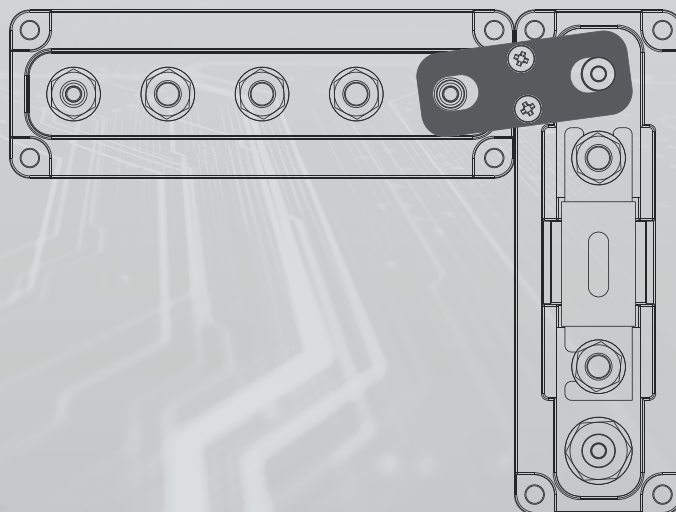
End to end linking



**For linking to and from:**

- DCM 1xM8/M10 Single Stud
- DCM 2xM8/M10 Dual Stud
- DCM 3xM8/M10 Busbar
- DCM 5xM8/M10 Busbar
- DCM ANL Fuseholder (60V/600A)
- DCM Class-T Fuseholder (60V/225-400A)
- DCM Class-T Fuseholder (60V/450-600A)

End to side linking



**For linking to and from:**

- DCM 2xM8/M10 Dual Stud
- DCM 3xM8/M10 Busbar
- DCM 5xM8/M10 Busbar
- DCM ANL Fuseholder (60V/600A)
- DCM Class-T Fuseholder (60V/225-400A)
- DCM Class-T Fuseholder (60V/450-600A)

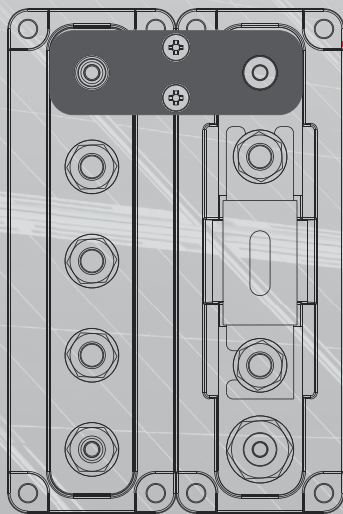
## Link Plate 50 mm Link Plate 3 Way 50 mm



Model <sup>1)</sup>	Art #	Max. Current <sup>2)</sup>	Dimensions (L x W)	Accepts stud size
DCM Link Plate 50 mm	5079072	600A	75.0 x 25.0 mm	M8 + M10
DCM Link Plate 3 Way 50 mm	5079073	600A	125.0 x 25.0 mm	M8 + M10

<sup>1)</sup> Not compatible with "Mega" and "ANL (300A)" fuseholders  
<sup>2)</sup> Current capacity can be doubled by stacking two Link Plates

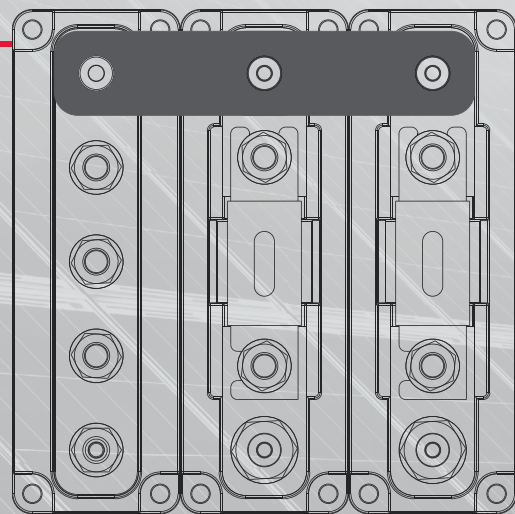
Side to side linking (two positions)



### For linking to and from:

- DCM 1xM8/M10 Single Stud
- DCM 2xM8/M10 Dual Stud
- DCM 3xM8/M10 Busbar
- DCM 5xM8/M10 Busbar
- DCM ANL Fuseholder (60V/600A)
- DCM Class-T Fuseholder (60V/225-400A)
- DCM Class-T Fuseholder (60V/450-600A)

Side to side linking (three positions)



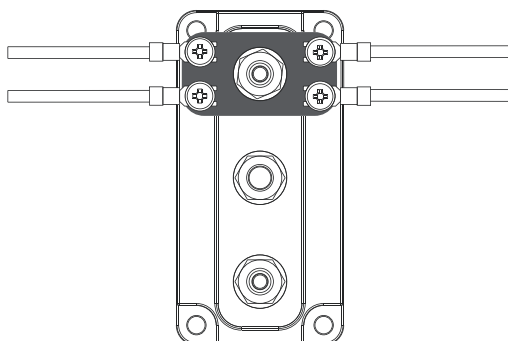
## Adapter Plate



Model <sup>1)</sup>	Art #	Max. Current	Dimensions (L x W)	Accepts stud size
Adapter Plate (1xM8/M10 to 4xM4)	5079020	600A	46.0 x 25.0 mm	M8 + M10

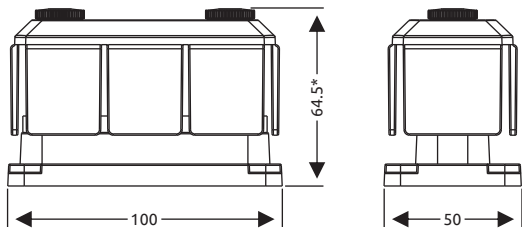
<sup>1)</sup> Not compatible with "Mega" and "ANL (300A)" fuseholders

For converting an M8 or M10 stud to 4xM4 fork/ring terminals



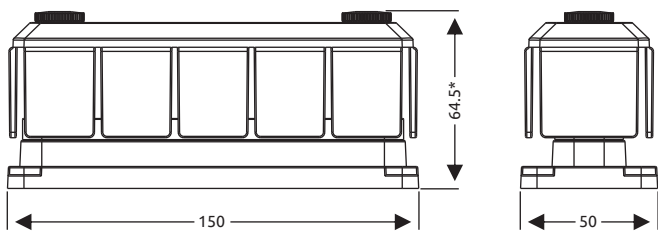


## Dimensions (3 Stud Busbar)



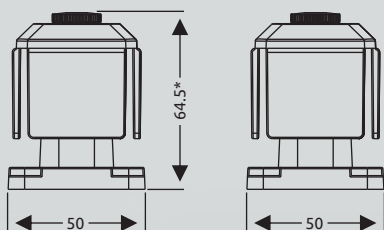
\* Total height without cover is 56.3 mm

## Dimensions (5 Stud Busbar, ANL Fuseholder 600A, Class-T Fuseholder 225-400A, Class-T Fuseholder 450-600A)



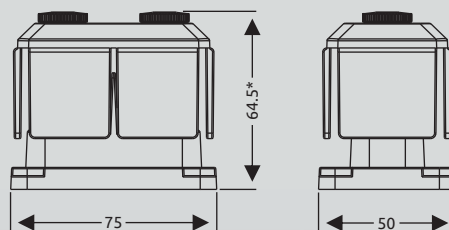
\* Total height without cover is 56.3 mm

## Dimensions (Single Insulated Stud)



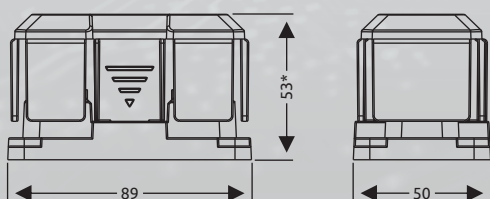
\* Total height without cover is 56.3 mm

## Dimensions (Dual Insulated Stud)



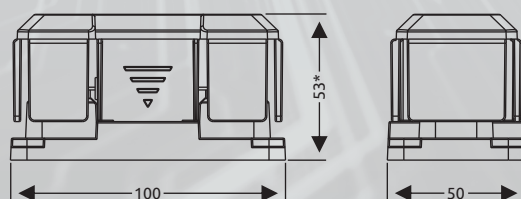
\* Total height without cover is 56.3 mm

## Dimensions (Mega Fuseholder)



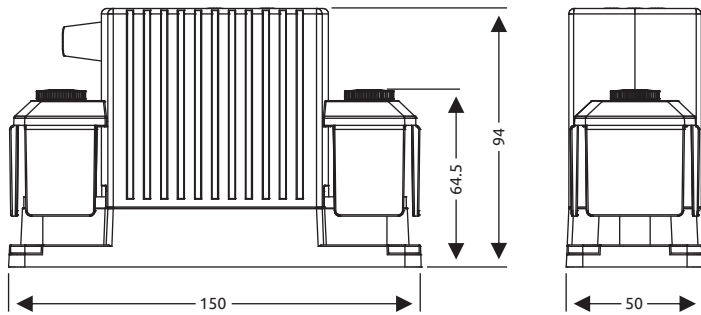
\* Total height without cover is 43.5 mm

## Dimensions (ANL Fuseholder 300A)

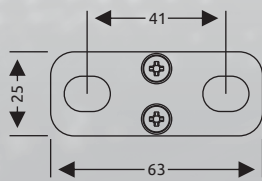


\* Total height without cover is 43.5 mm

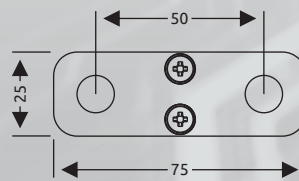
## Dimensions (Contactors)



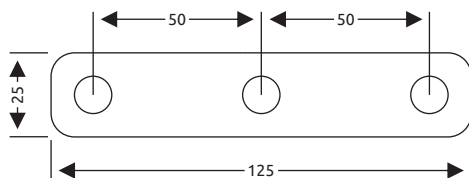
## Dimensions (Link Plate 41 mm)



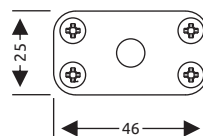
## Dimensions (Link Plate 50 mm)



## Dimensions (Link Plate 3 Way 50 mm)



## Dimensions (Adapter Plate)



Measurement units: millimeters