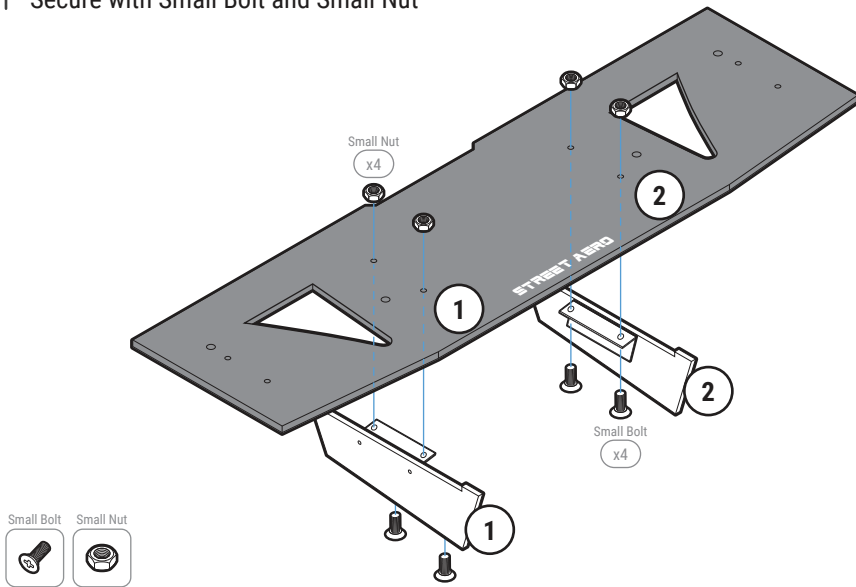


STEP: 1 Assemble Main Panel

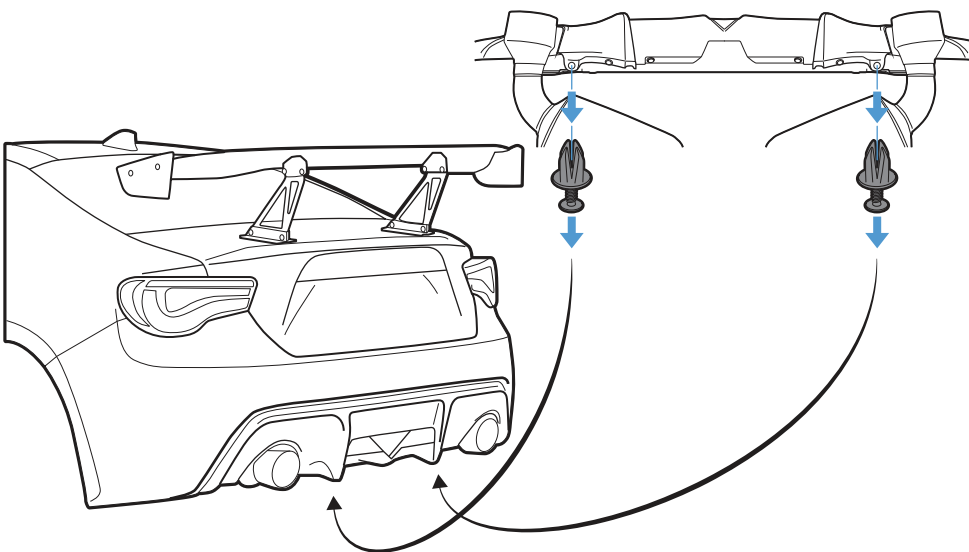
Carefully place Fin 1 and Fin 2 onto the Main Panel
(Match the number on the Fin to the number on the Main Panel)

Secure with Small Bolt and Small Nut



STEP: 2 Remove OEM Bolts

Remove the 2 Push Pins located under the bumper near the exhaust

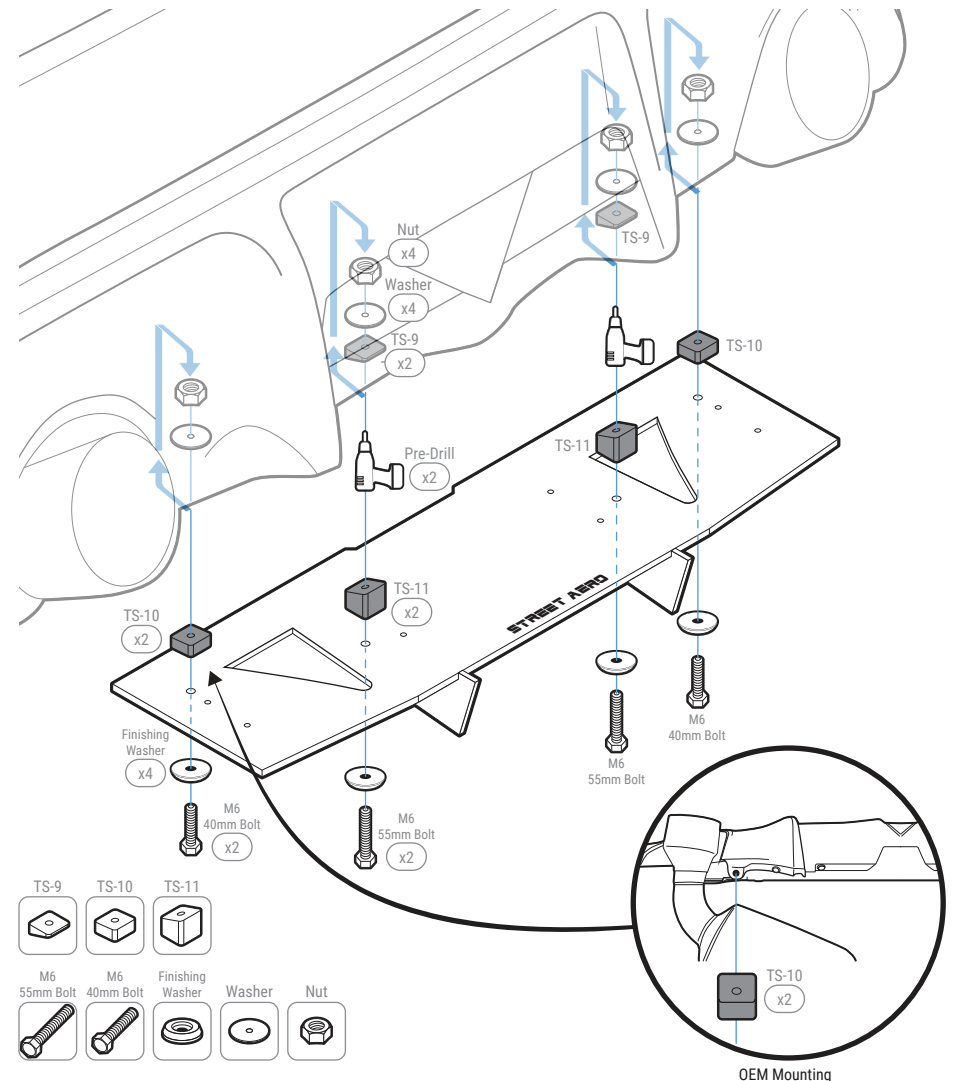


STEP: 3 Install Mounting Bracket

Mount the assembled Main Panel to the bumper by securing Mounting Bracket TS-10 to the OEM mounting hole on **STEP: 2** with M6 40mm Bolt, Finishing Washer, Washer, and Nut
NOTE: Reach under to place Washer and Nut inside the bumper

Align Mounting Bracket TS-11 to its correct spot then Mark and Pre-Drill into the bumper
NOTE: Use the hole on top of TS-11 to mark the drill location
NOTE: Mounting Bracket may need to be removed before pre-drilling

Secure Mounting Bracket TS-11 to the bumper with M6 55mm Bolt, Finishing Washer, Mounting Bracket TS-9, Washer, and Nut
NOTE: Reach under the bumper to place Mounting Bracket TS-9, Washer and Nut inside the bumper



IMPORTANT: DO NOT over tighten or use power tools to mount the Mounting Brackets

STEP: 4 *Mount the Rear Diffuser*

Remove the 2 OEM Push Pins on the left and right side of the bumper

NOTE: This is where you will be installing the Side Panel Mounting Bracket to

Attach and secure Mounting Bracket TS-12 to the Side Panel with M6 16mm Bolt, Finishing Washer, and Nut

NOTE: Push the Bolt all the way into the socket to prevent it from falling out

Attach the Side Panel to the Main Panel with Small Bolt and Small Nut

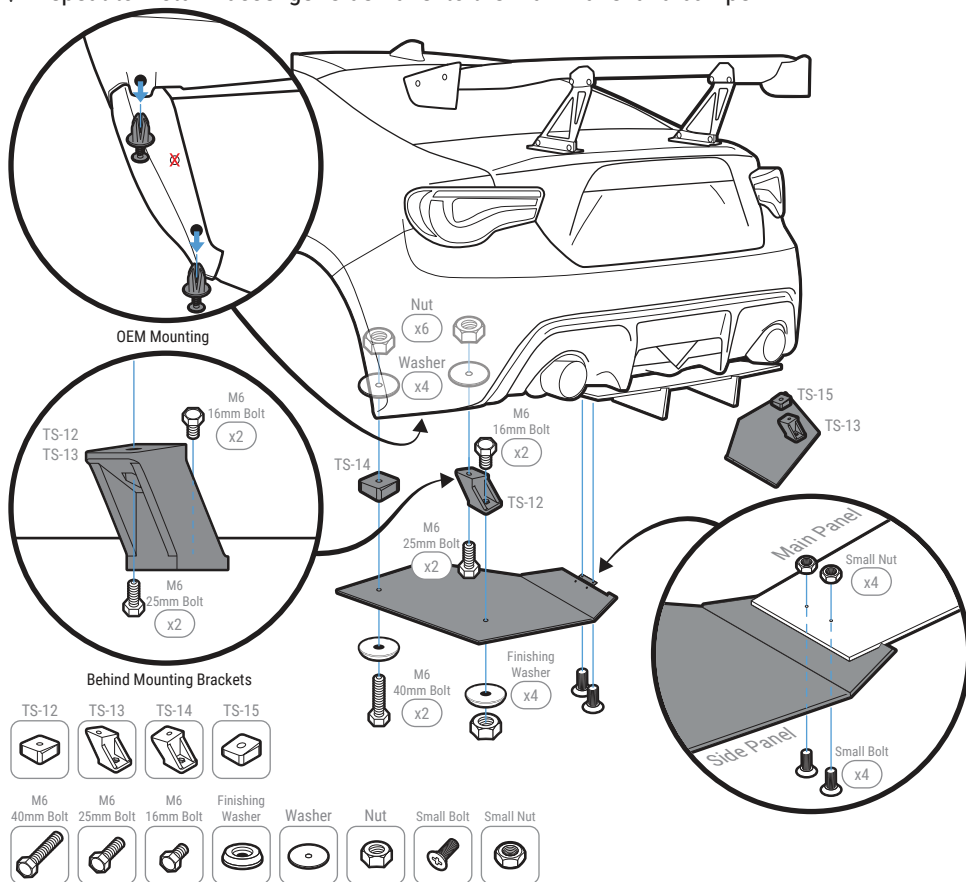
Attach the Side Panel to the bumper by securing Mounting Bracket TS-12 with M6 25mm Bolt, Washer, and Nut to the OEM Mounting hole

NOTE: Reach under or to the side of the bumper to place the Washer and Nut inside the bumper

Continue installing the Side Panel to the bumper by securing Mounting Bracket TS-14 with M6 40mm Bolt, Washer, and Nut to the OEM Mounting hole

NOTE: Reach under or to the side of the bumper to place the Washer and Nut inside the bumper

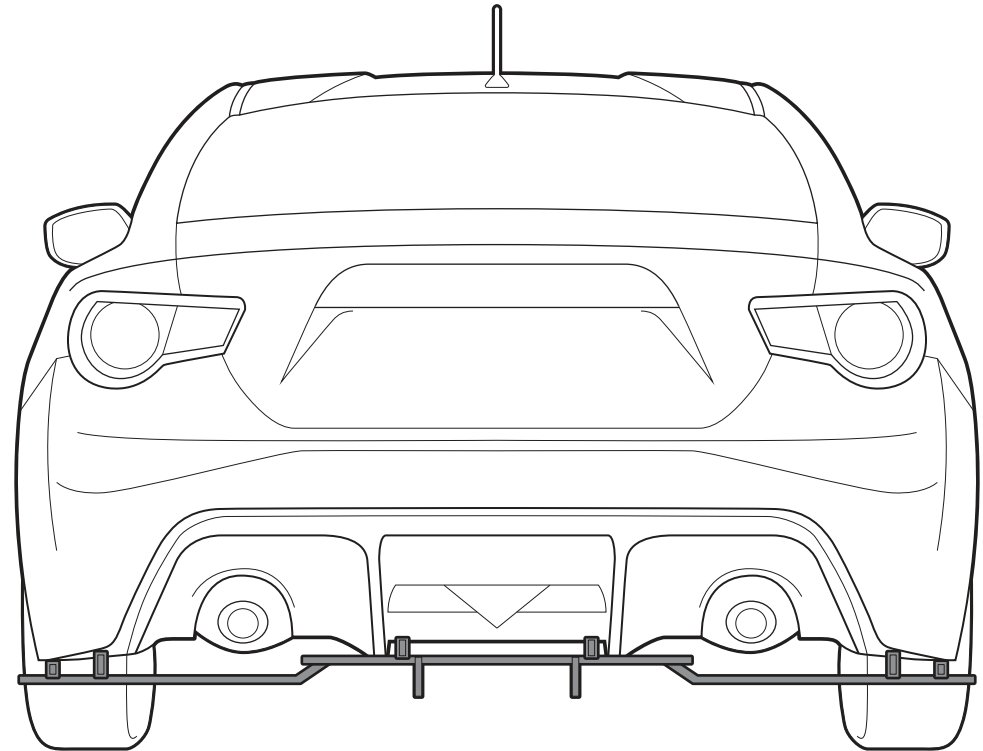
Repeat to install Passenger Side Panel to the Main Panel and bumper



INSTALLATION GUIDE

2013-2016 Scion FRS & 2013-2021 Subaru BRZ

ACM Rear Diffuser



s-rda-tss-02-e1

www.streetaero.com

info@streetaero.com