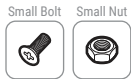
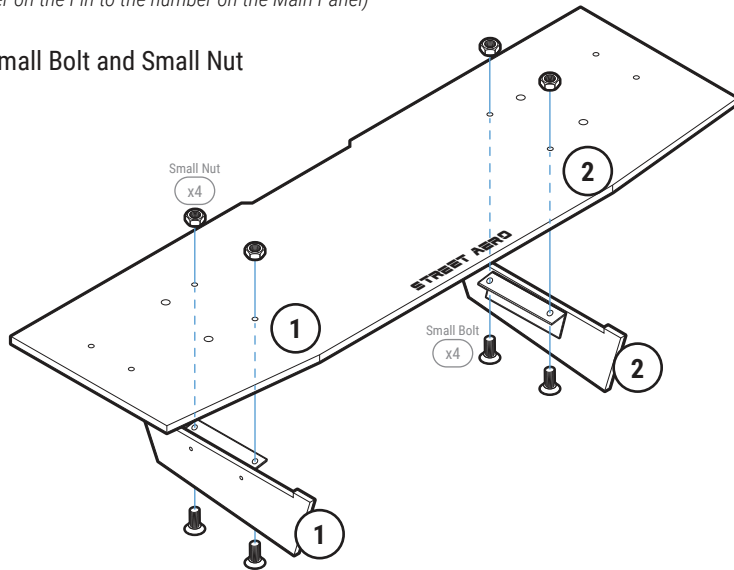


### STEP: 1 Assemble Rear Diffuser

Carefully place Fin 1 and Fin 2 onto the Main Panel  
(Match the number on the Fin to the number on the Main Panel)

Secure with Small Bolt and Small Nut

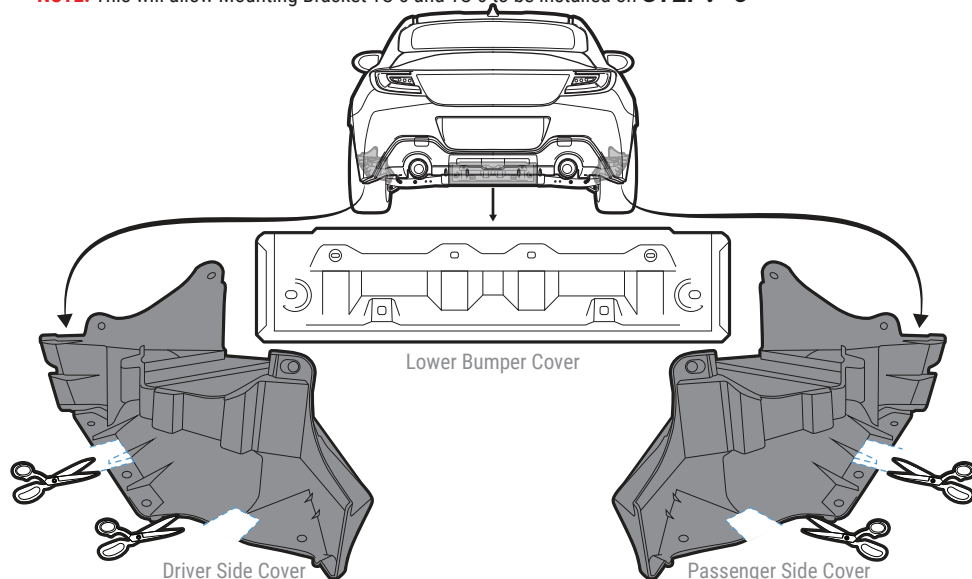


### STEP: 2 Remove Bumper Covers

Remove the lower bumper cover and both the driver side and passenger side covers

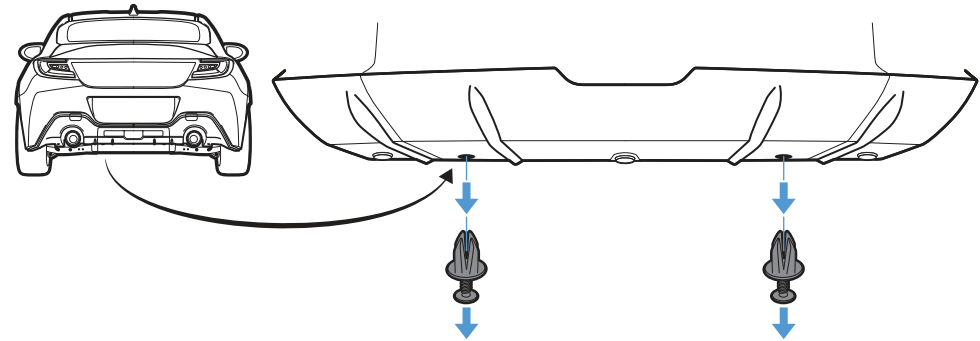
Cut out 2 small sections in the driver and passenger covers

**NOTE:** This will allow Mounting Bracket TS-5 and TS-6 to be installed on **STEP: 5**



### STEP: 3 Remove OEM Push Pins

Remove the 2 Push Pins located under the center of the bumper



### STEP: 4 Install Mounting Bracket

Mount the assembled Main Panel to the bumper by securing Mounting Bracket TS-2 to the OEM mounting hole on **STEP: 3** with M6 40mm Bolt, Finishing Washer, Washer, and Nut  
**NOTE:** Reach under to place Washer and Nut inside the bumper

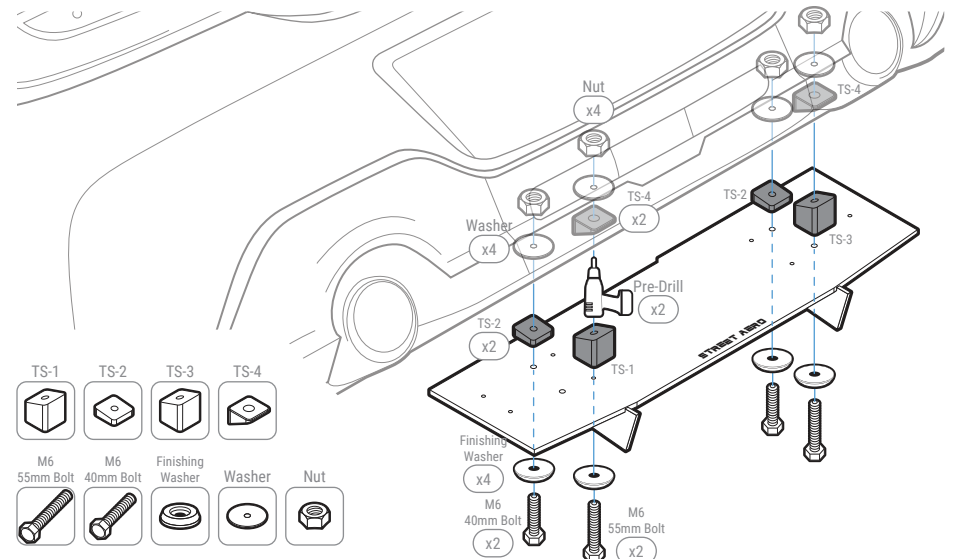
Align Mounting Bracket TS-1 and TS-3 to its correct mounting location then mark and pre-drill into the bumper

**NOTE:** Use the hole on top of TS-1 and TS-3 to mark the drill location

**NOTE:** Main Panel and Mounting Bracket may need to be removed before pre-drilling

Secure Mounting Bracket TS-1 and TS-3 to the bumper with provided M6 55mm Bolt, Finishing Washer, TS-4 Beveled Washer, Washer, and Nut

**NOTE:** Reach under the bumper to place the TS-4 Beveled Washer, Washer, and Nut inside the bumper



**IMPORTANT: DO NOT** over tighten or use power tools to mount the Mounting Brackets

**STEP: 5** *Mount the Rear Diffuser*

Remove the 2 OEM Push Pins located on the side of the bumper near the rear wheels on the driver and passenger side

**NOTE:** This will allow you to reach inside the bumper to place the Washer and Nut and secure the Side Panel

Attach and secure Mounting Bracket TS-5 and TS-6 to the Side Panel with M6 16mm Bolt, Finishing Washer, and Nut

**NOTE:** Push the nut all the way into the socket to prevent it from falling out

Attach the Side Panel to the Main Panel with Small Bolt and Small Nut

**NOTE:** You may need to remove the Side Panel to pre-drill into the bumper

Mark and pre-drill into the bumper where Mounting Bracket TS-5 and TS-6 will be mounted

**NOTE:** Use the hole on top of TS-5 and TS-6 to mark the drill location

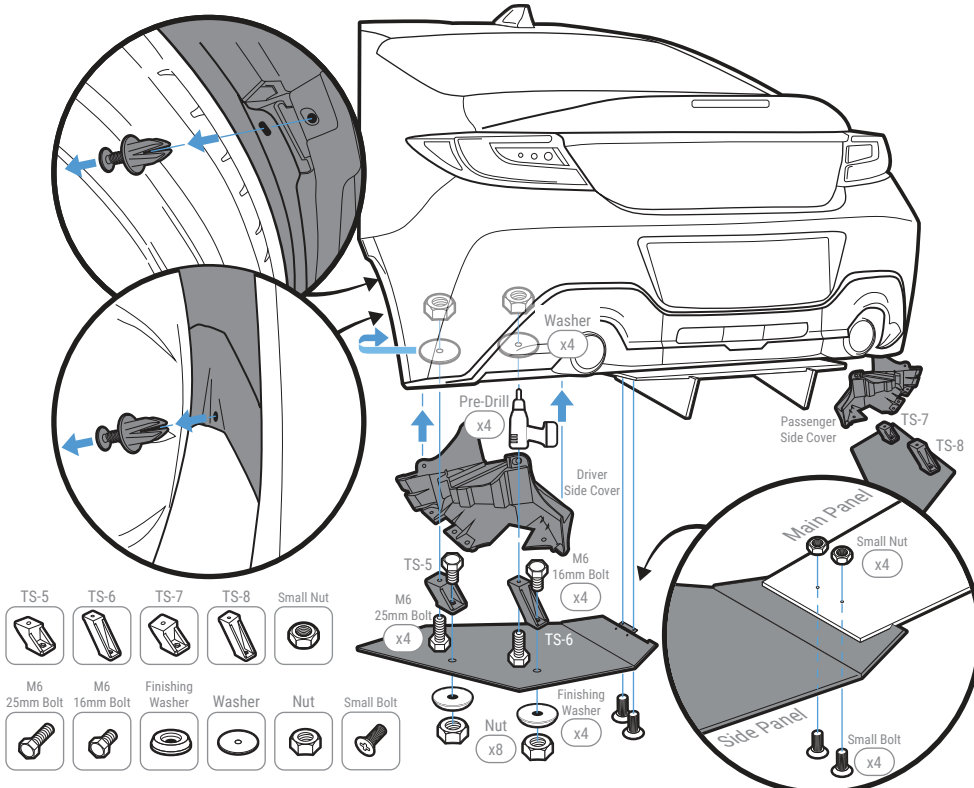
Mount the Side Panel to the bumper by securing Mounting Bracket TS-5 and TS-6 with M6 25mm Bolt, Washer, and Nut

**NOTE:** Reach under or to the side of the bumper to secure the Mounting Bracket with Washer and Nut

Re-attach the Driver and Passenger Side Cover from **STEP: 2**

**NOTE:** The cut out should slide into where Mounting Bracket TS-5 and TS-6 is mounted to

Repeat to install Passenger Side Panel to the Main Panel and bumper with TS-7 and TS-8

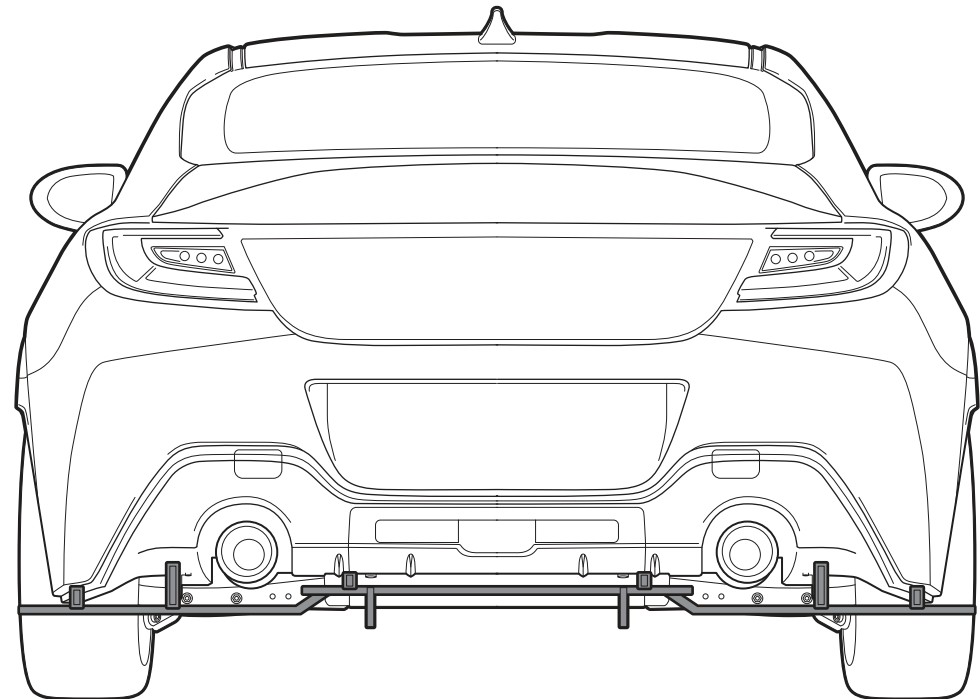


**INSTALLATION GUIDE**

**2022-2023**

**Subaru BRZ & Toyota GR86**

**ACM Rear Diffuser**



s-rda-tss-01-e1

www.streetaero.com

info@streetaero.com