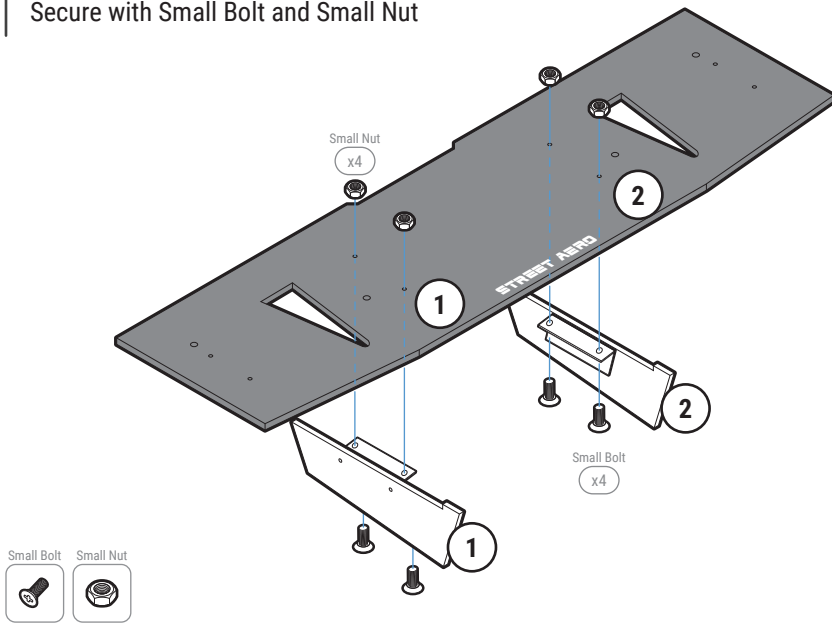


### STEP: 1 Assemble Rear Diffuser

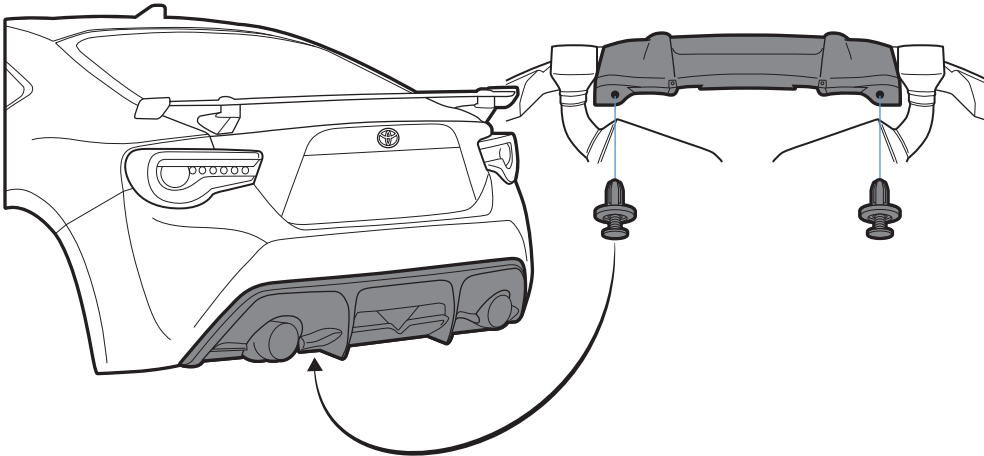
Carefully place Fin 1 and Fin 2 onto the Main Panel  
(Match the number on the Fin to the number on the Main Panel)

Secure with Small Bolt and Small Nut



### STEP: 2 Remove OEM Push Pins

Remove the two OEM Push Pins located under the bumper on the left and right side near the exhaust



### STEP: 3 Mount Main Panel

Mount the assembled Main Panel to the bumper by securing M6 25mm Bolt, Finishing Washer, Washer, and Nut to the OEM Push Pin holes on **STEP: 2**

**NOTE:** Reach under to place Washer and Nut inside the bumper

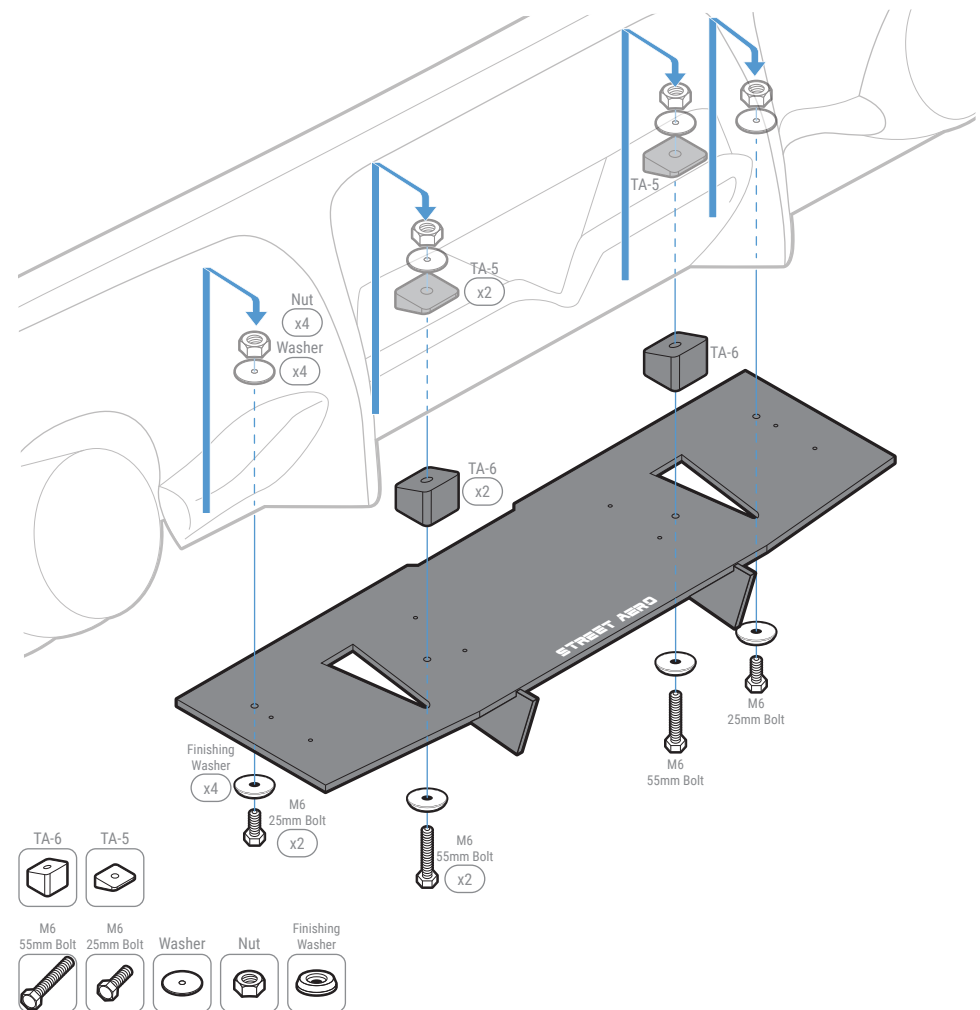
Align Mounting Bracket TA-6 to its correct spot and Pre-Drill into the bumper

**NOTE:** Use the hole on top of TA-6 to mark the drill location

**NOTE:** Mounting Bracket may need to be removed before drilling

Attach and secure both Mounting Bracket TA-6 with M6 55mm Bolt, Finishing Washer, Part TA-5, Washer, and Nut

**NOTE:** Reach under to place TA-5, Washer and Nut inside the bumper



**STEP: 4** *Mount the Rear Diffuser*

Attach Mounting Bracket TA-7 and TA-8 to the Side Panel and secure with M6 16mm Bolt, Finishing Washer, and Nut

**NOTE:** Push the nut all the way into the socket to prevent it from falling out

Remove the (2) Push Pins located on the side of the bumper where the Side Panel will Mount to

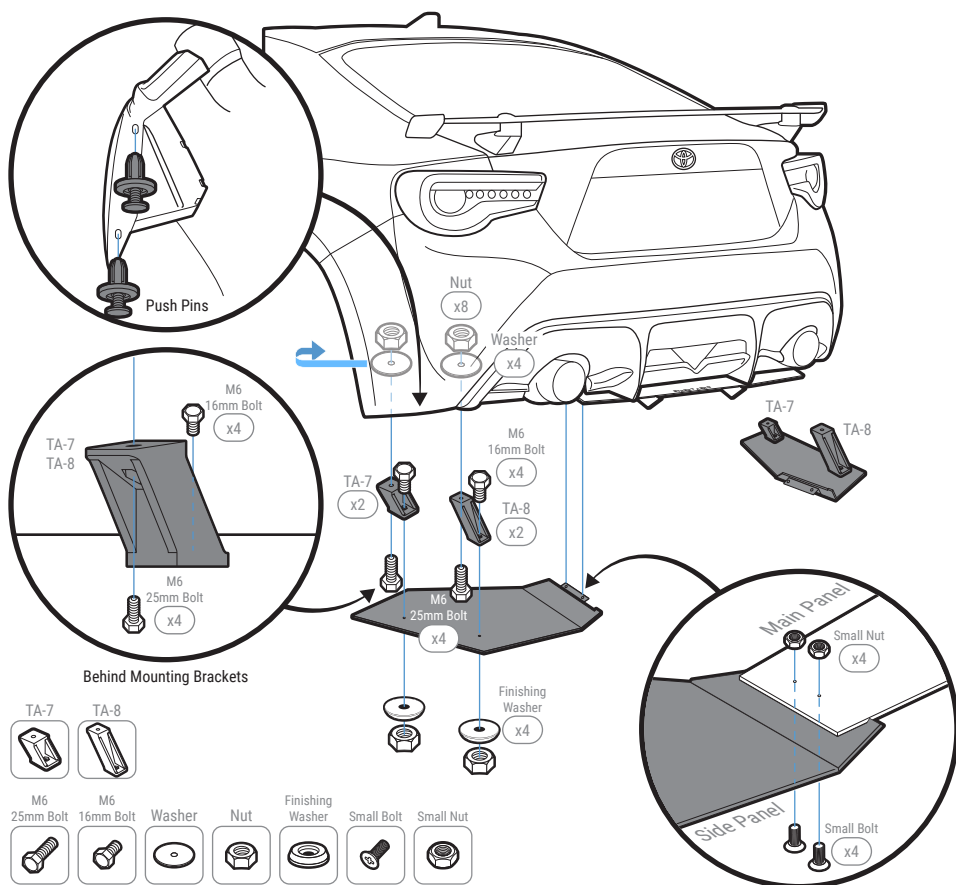
Attach the Side Panel to the Main Panel with Small Bolt and Small Nut

Mount the Side Panel to the bumper by attaching Mounting Bracket TA-7 and TA-8 with M6 25mm Bolt into the OEM Push Pin Holes

Secure Mounting Bracket TA-7 and TA-8 with Washer and Nut

**NOTE:** Use the sides near the wheels to secure the Washer and Nut inside the bumper

Repeat to install Passenger Side Panel to the Main Panel and bumper



**INSTALLATION GUIDE**

**2017-2021 Toyota 86**

**ACM Rear Diffuser**

