

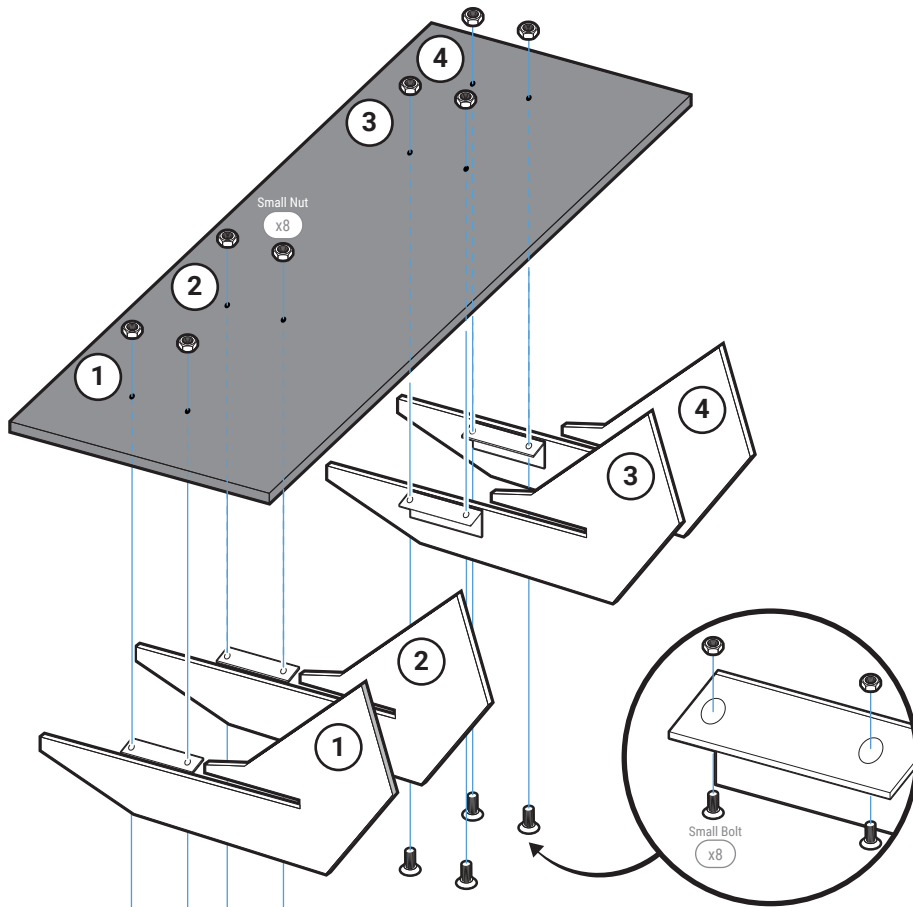
STEP: 1 Assemble Main Piece

Carefully slide Fin 1, 2, 3, and 4 onto the Main Panel
(Match the number on the Fin to the number on the Main Panel)

NOTE: To prevent scratches keep the fin as straight as possible when sliding it into the Main Panel
(We recommend putting a thin piece of paper in between the fin and the Main Panel)

Secure with Small Bolt and Small Nut
(Hand screw the bolt for precise fitment)

NOTE: DO NOT over tighten the bolt and nut

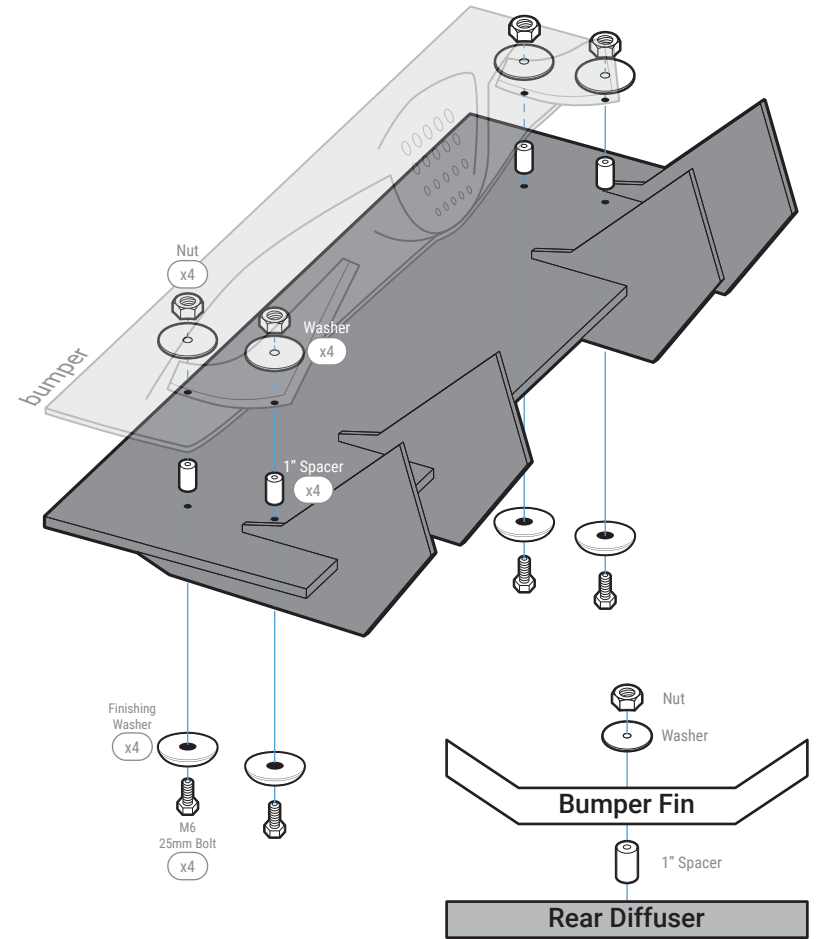


STEP: 2 Secure with spacers

Align the Rear Diffuser to the bumper

Mark and pre-drill where the spacers will be mounted under the rear valance fin

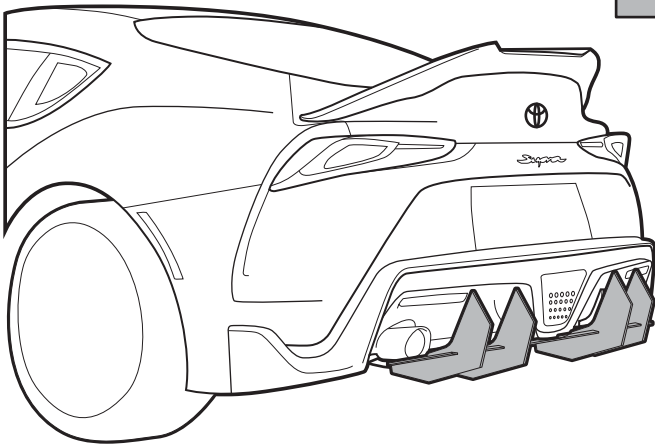
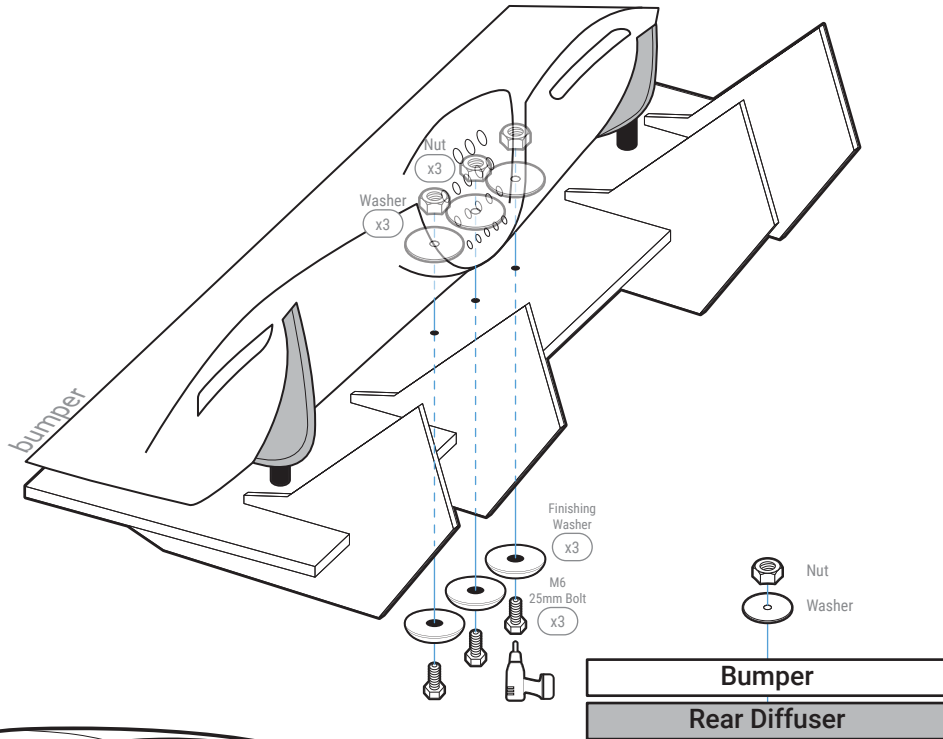
Use provided hardware to secure the Rear Diffuser to the bumper



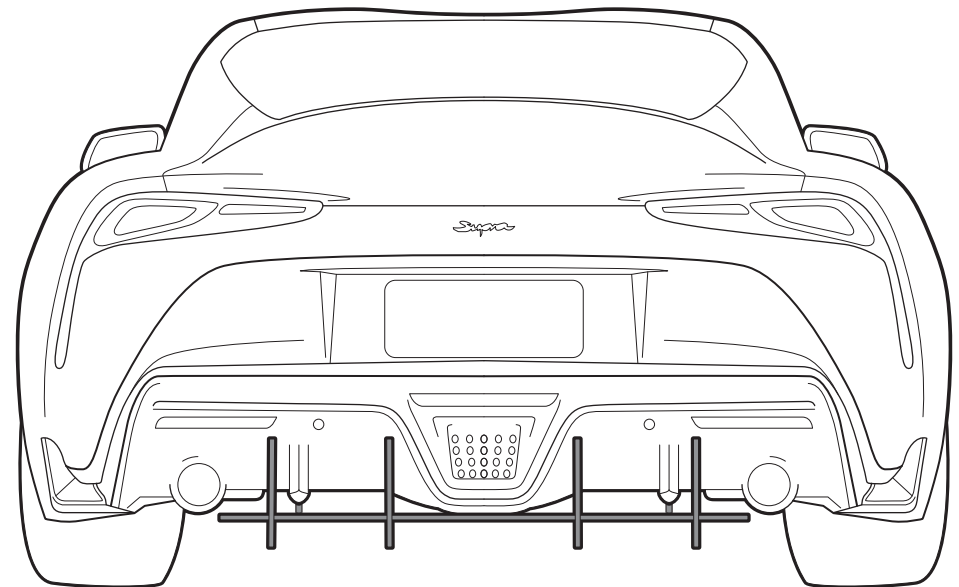
STEP: 3 *Mount the Rear Diffuser*

Drill through the center of the Rear Diffuser into the bumper

Finish mounting the Rear Diffuser with provided hardware



INSTALLATION GUIDE
2019-2023 Toyota Supra
Classic Edition
ACM Rear Diffuser



s-rda-toy-01