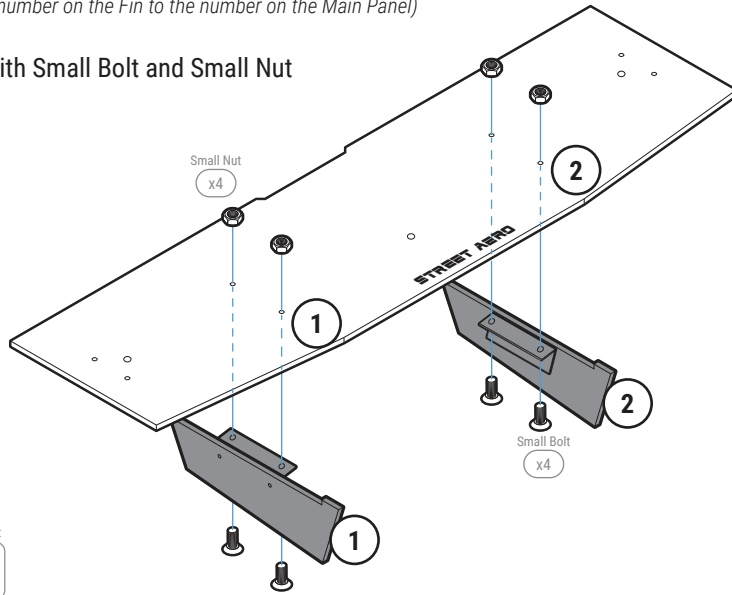


STEP: 1 Assemble Main Panel

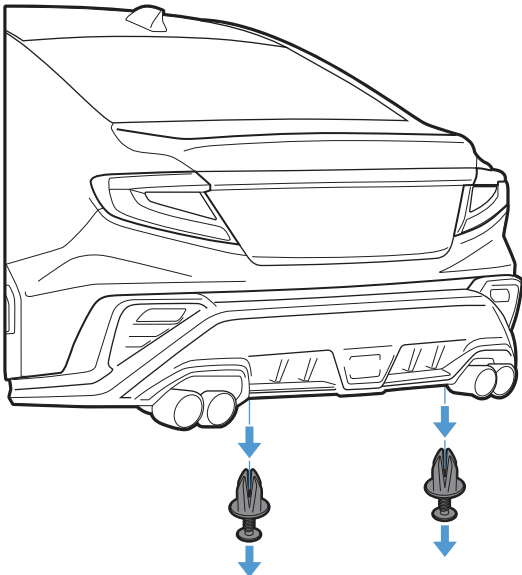
Carefully place Fin 1 and Fin 2 onto the Main Panel
(Match the number on the Fin to the number on the Main Panel)

Secure with Small Bolt and Small Nut



STEP: 2 Remove OEM Push Pins

Remove the OEM Bolts located under the bumper near the exhaust
NOTE: We recommend removing enough push pins so that the inside bumper is accessible



STEP: 3 Install Main Panel

Align the assembled Main Panel to the mounting location

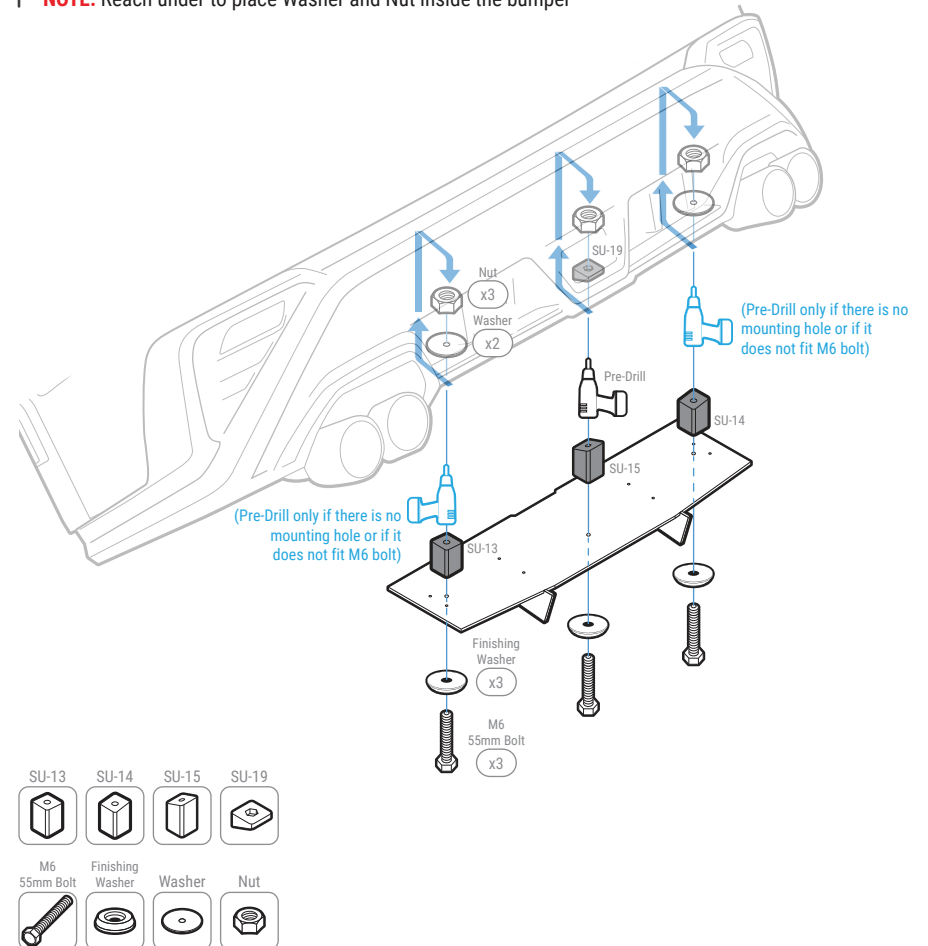
Mark and pre-drill through the bumper where the Main Panel will be mounted
NOTE: If the 2 OEM hole from **STEP: 2** is too small or is not there to fit the M6 40mm Bolt pre-drill at the designated spot so the M6 Bolt can be used

Insert a Nut into the socket on top of Mounting Bracket SU-19

Mount the Main Panel to the bumper by securing Mounting Bracket SU-15 to the center of the Main Panel with M6 55mm Bolt, Finishing Washer, and Mounting Bracket SU-19
NOTE: Reach under to place Mounting Bracket SU-19 (with the inserted Nut) inside the bumper

Continue mounting the Main panel by securing Mounting Bracket SU-13 & SU-14 to their designated mounting location and securing it with M6 55mm Bolt, Finishing Washer, Washer, Nut

NOTE: Reach under to place Washer and Nut inside the bumper



IMPORTANT: DO NOT over tighten or use power tools to mount the Mounting Brackets

STEP: 4 *Mount the Rear Diffuser*

Remove the 2 OEM Push Pins located on the side of the rear bumper near the rear wheel

NOTE: We recommend removing the Splash Guard to get access behind the bumper

Attach and secure Mounting Bracket SU-17 and SU-18 to the Side Panel with M6 16mm Bolt, Finishing Washer, and Nut

NOTE: Push the Bolt all the way into the socket to prevent it from falling out

Attach the provided Threaded Clip to the OEM hole where Mounting Bracket SU-16 will mount to

NOTE: Reach under or to the side of the bumper to place the Threaded Clip inside the bumper

Align the Side Panel to the bumper by attaching the Side Panel to the Main Panel with Small Bolt and Small Nut

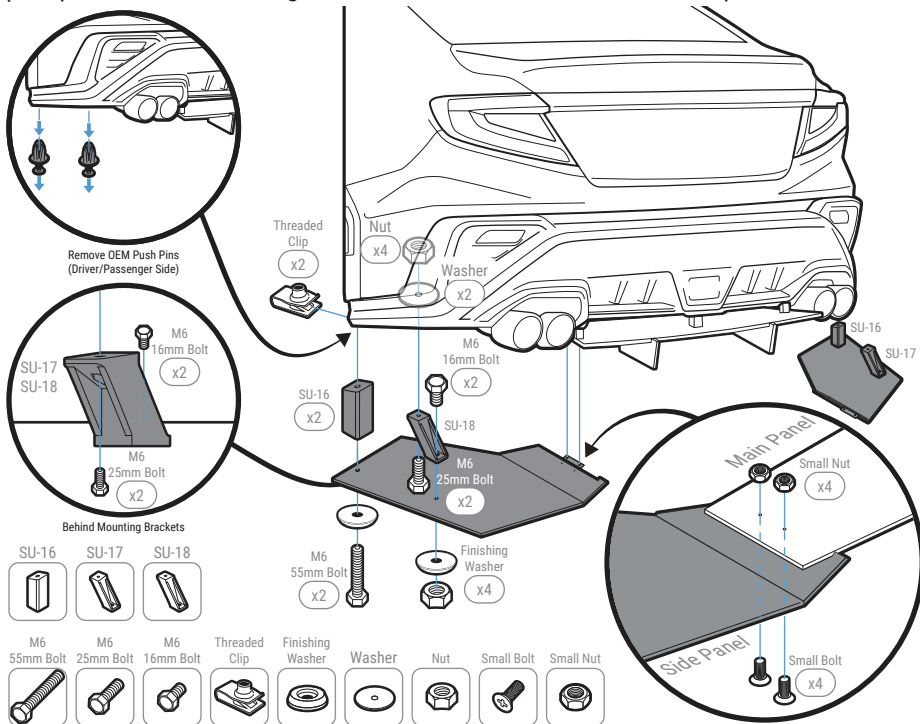
NOTE: Make sure the OEM hole is aligned with the Side Panel mounting hole

Mount the Side Panel to the bumper by securing Mounting Bracket SU-16 with M6 55mm Bolt and Finishing Washer to the Threaded Clip

Secure Mounting Bracket SU-17 and SU-18 to the bumper with M6 25mm Bolt, Washer, and Nut

NOTE: Reach under to place Washer and Nut inside the bumper

Repeat to install Passenger Side Panel to the Main Panel and bumper



INSTALLATION GUIDE 2022-2023 Subaru WRX ACM Rear Diffuser

