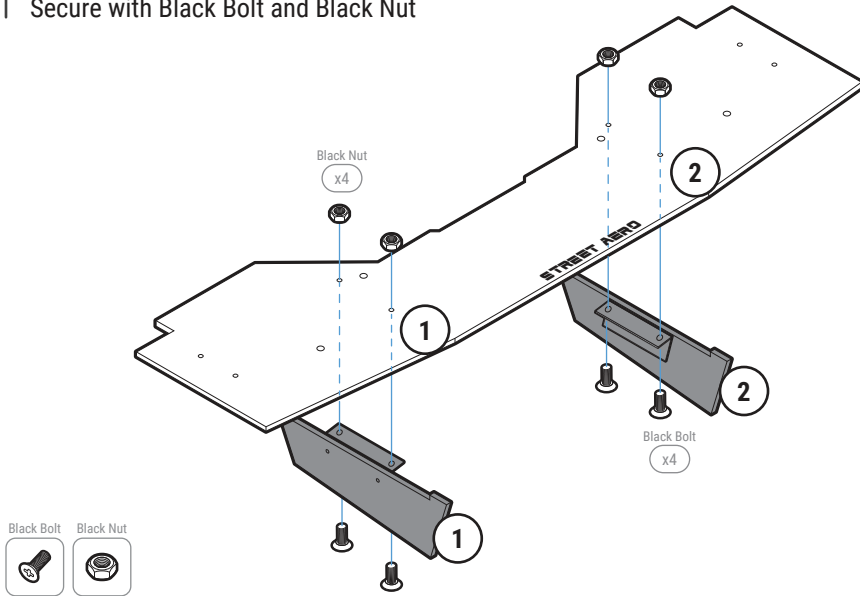


STEP: 1 Assemble Main Panel

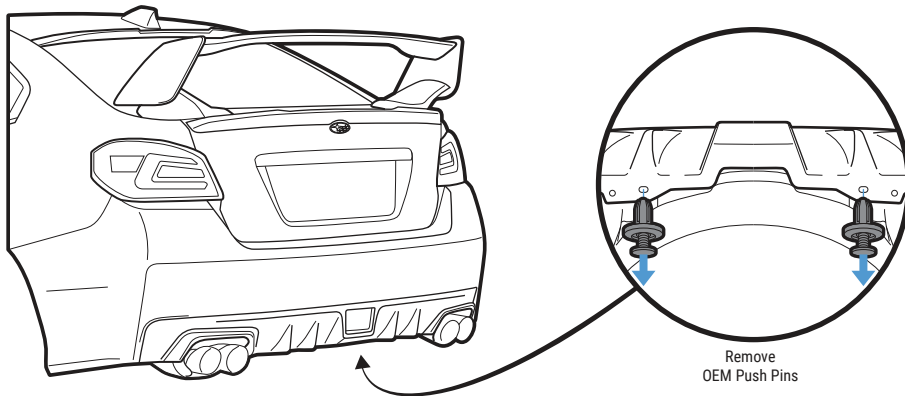
Carefully place Fin 1 and Fin 2 onto the Main Panel
(Match the number on the Fin to the number on the Main Panel)

Secure with Black Bolt and Black Nut



STEP: 2 Remove OEM Push Pins

Remove the Push Pins located under the bumper near the exhaust
NOTE: We also recommend removing the Splash Guard to get access behind the bumper



STEP: 3 Install Main Panel

Align the Main Panel to the bumper by placing the M6 40mm Bolt through Mounting Bracket SU-1 and into the OEM Mounting Hole from **STEP: 2**

When the Main Panel is aligned and centered to the bumper mark and pre-drill where Mounting Bracket SU-2 will be mounted to the bumper

NOTE: Use the hole on the Main Panel to find the mounting location for Mounting Bracket SU-2

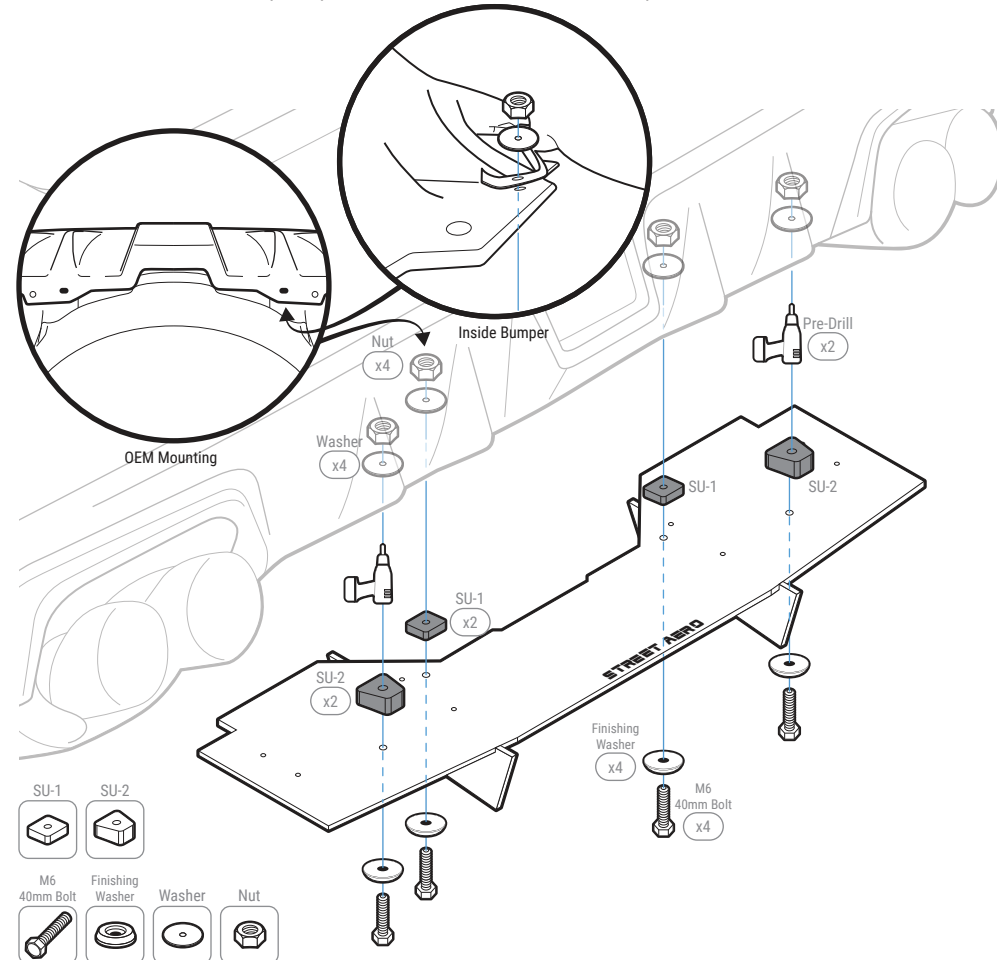
NOTE: Main Panel may need to be removed before pre-drilling

Mount the Main Panel to the bumper by securing Mounting Bracket SU-1 to the OEM mounting location with M6 40mm Bolt, Finishing Washer, Washer, and Nut

NOTE: Reach under the bumper to place the Washer and Nut inside the bumper on top of the OEM hole from **STEP: 2**

Continue mounting the Main Panel by securing Mounting Bracket SU-2 to the mounting location with M6 40mm Bolt, Finishing Washer, Washer, and Nut

NOTE: Reach under the bumper to place the Washer and Nut inside the bumper



STEP: 4 *Mount the Rear Diffuser*

Remove the Push Pins located under the bumper near the rear wheels

NOTE: We also recommend removing the Splash Guard to get access behind the bumper

Attach and secure Mounting Bracket SU-3 to the Side Panel with M6 16mm Bolt, Finishing Washer, and Nut

NOTE: Push the Bolt all the way into the socket to prevent it from falling out

Attach the Side Panel to the Main Panel with Black Bolt and Black Nut

Align Mounting Bracket SU-3 and SU-4 to its OEM mounting location

NOTE: Mounting Brackets will mount to the OEM Push Pin holes

Mount the Side Panel to the bumper by securing Mounting Bracket SU-3 with M6 25mm Bolt, Washer and Nut

NOTE: Place the M6 25mm Bolt into the socket behind the Mounting Bracket

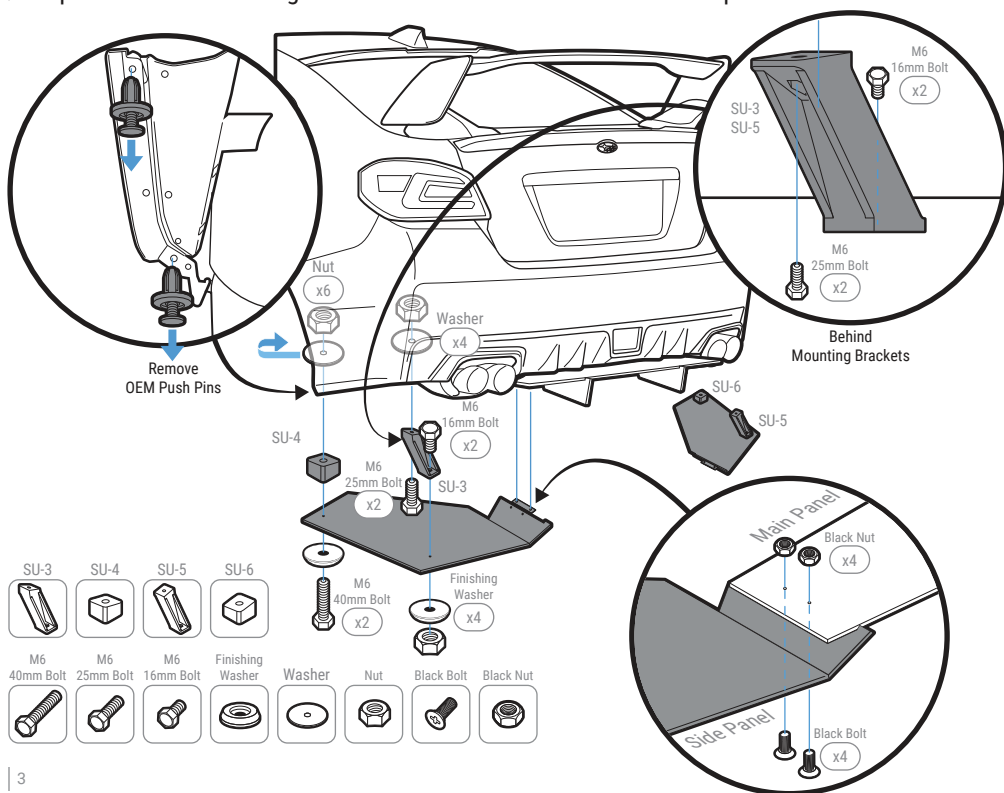
NOTE: Push the Bolt all the way into the socket to prevent it from falling out

NOTE: Reach under or to the side of the bumper to place the Washer and Nut inside the bumper

Continue Mounting the Side Panel by securing Mounting Bracket SU-4 to the OEM mounting location with M6 40mm Bolt, Finishing Washer, Washer, and Nut

NOTE: Reach under or to the side of the bumper to place the Washer and Nut inside the bumper

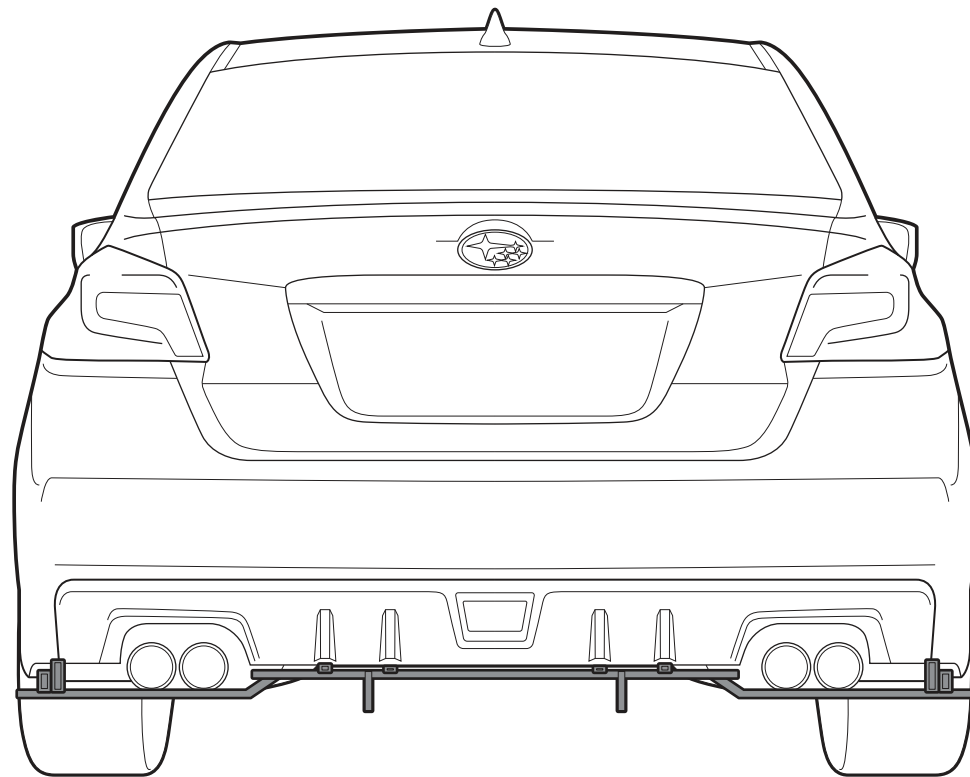
Repeat to install Passenger Side Panel to the Main Panel and bumper



INSTALLATION GUIDE

2015-2021 Subaru Impreza WRX

ACM Rear Diffuser



s-rda-sub-02-e1

www.streetaero.com

info@streetaero.com