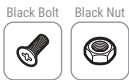
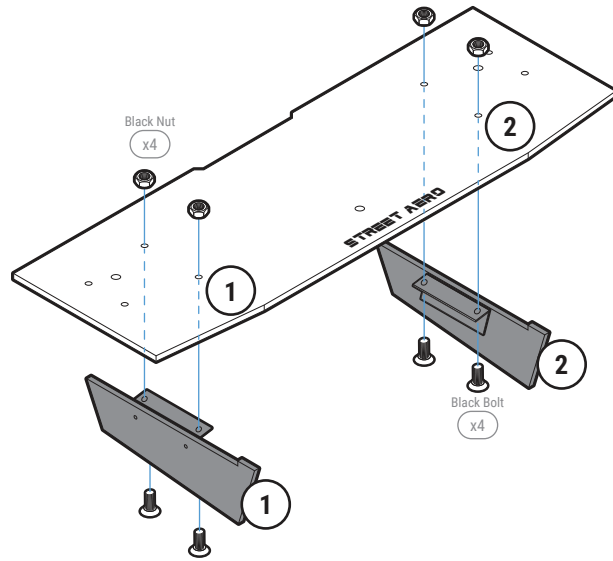


## STEP: 1 Assemble Main Panel

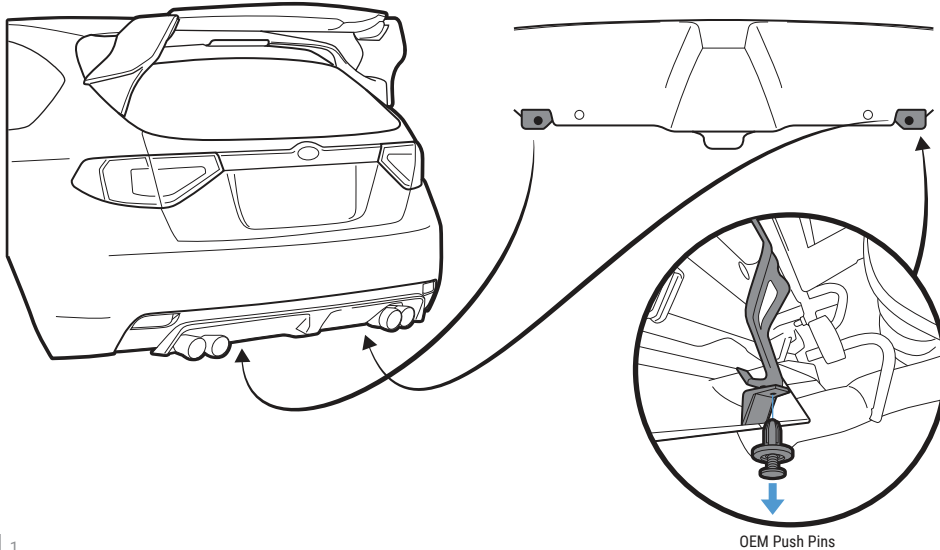
Carefully place Fin 1 and Fin 2 onto the Main Panel  
(Match the number on the Fin to the number on the Main Panel)

Secure with Black Bolt and Black Nut



## STEP: 2 Remove OEM Push Pins

Remove the Push Pins located under the bumper near the exhaust



## STEP: 3 Install Main Panel

Use the OEM holes from **STEP: 2** to align the Main Panel and Mounting Bracket SU-7 to the bumper

When the Main Panel is aligned place Mounting Bracket SU-8 to its mounting location then mark and pre-drill where it will be mounted to the bumper

**NOTE:** Use the hole on top of SU-8 to mark the drill location

**NOTE:** Mounting Bracket and Main Panel may need to be removed before pre-drilling

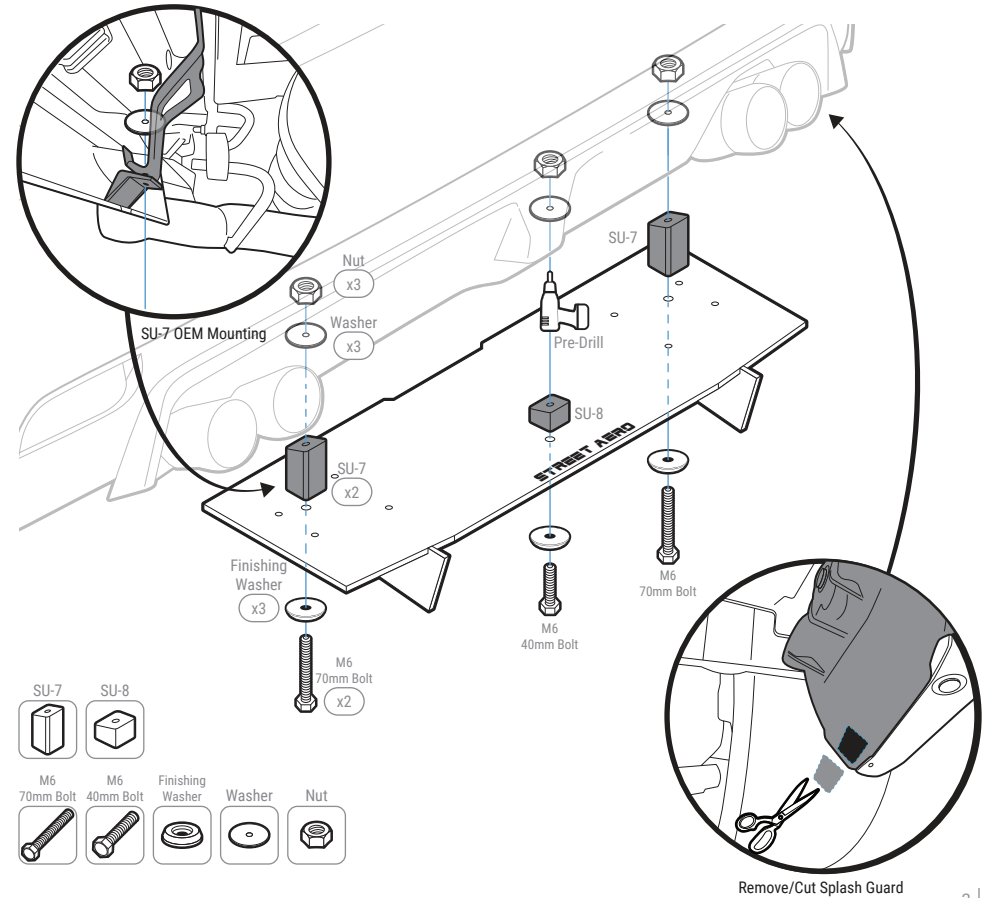
Mount the Main Panel by Securing Mounting Bracket SU-7 with M6 70mm Bolt, Finishing Washer, Washer and Nut

**NOTE:** Reach under the bumper to place the Washer and Nut inside the bumper on top of the OEM hole from **STEP: 2**

Place Mounting Bracket SU-8 back to its mounting location and secure it to the Main Panel and bumper with M6 40mm Bolt, Finishing Washer, Washer, and Nut

**NOTE:** Reach under the bumper to place the Washer and Nut inside the bumper

Remove or Cut a small section out of the Splash Guard located on the Left and Right Side of the bumper (this will allow you to reach inside the bumper to mount the Side Panel)



## STEP: 4 *Mount the Rear Diffuser*

Remove the Push Pins located under the bumper near the rear wheels (see diagram below)

**NOTE:** We recommend removing the Splash Guard to get access behind the bumper

Attach and secure Mounting Bracket SU-9 and SU-10 to the Side Panel with M6 16mm Bolt, Finishing Washer, and Nut

**NOTE:** Push the Bolt all the way into the socket to prevent it from falling out

Attach the Side Panel to the Main Panel with Black Bolt and Black Nut

Align Mounting Bracket SU-9 and SU-10 to its OEM mounting location

**NOTE:** The hole on top of the Mounting Brackets should line up with the OEM hole from the Push Pins

Mount the Side Panel to the bumper by securing Mounting Bracket SU-9 with M6 25mm Bolt, Washer, and Nut

**NOTE:** Place the M6 25mm Bolt into the socket on the back of Mounting Bracket SU-9

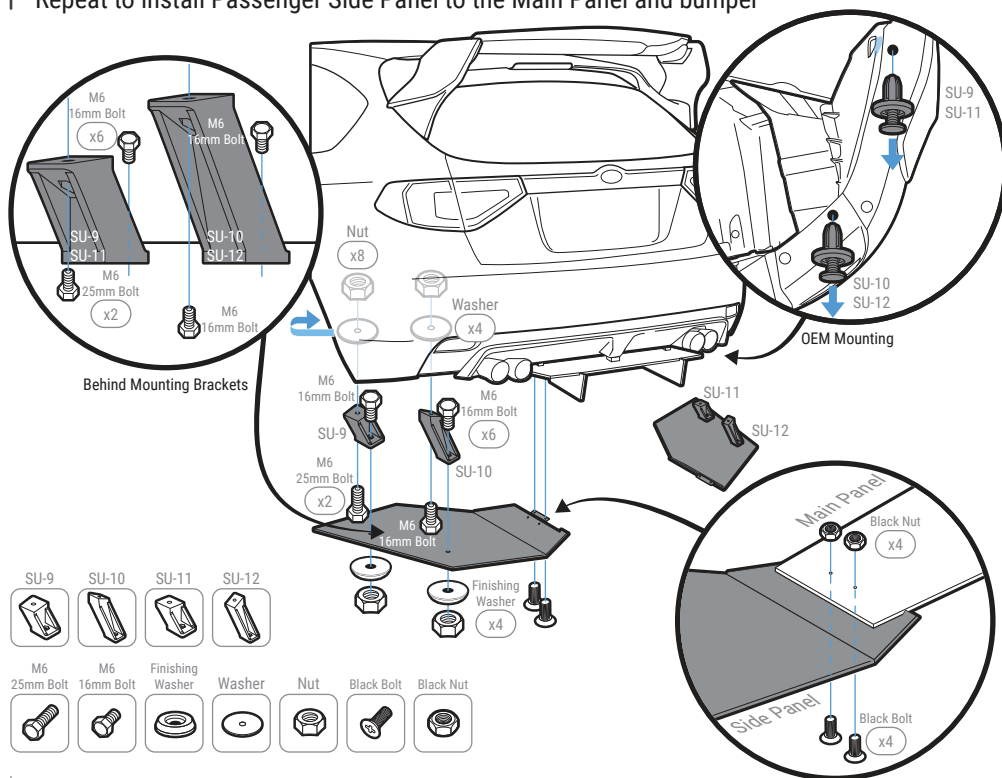
**NOTE:** Use the Cut section on the Splash Guard to get access into the bumper to place the Washer and Nut

Continue mounting the Side Panel to the bumper by securing Mounting Bracket SU-10 with M6 16mm Bolt, Washer and Nut

**NOTE:** Place the M6 16mm Bolt into the socket on the back of Mounting Bracket SU-10

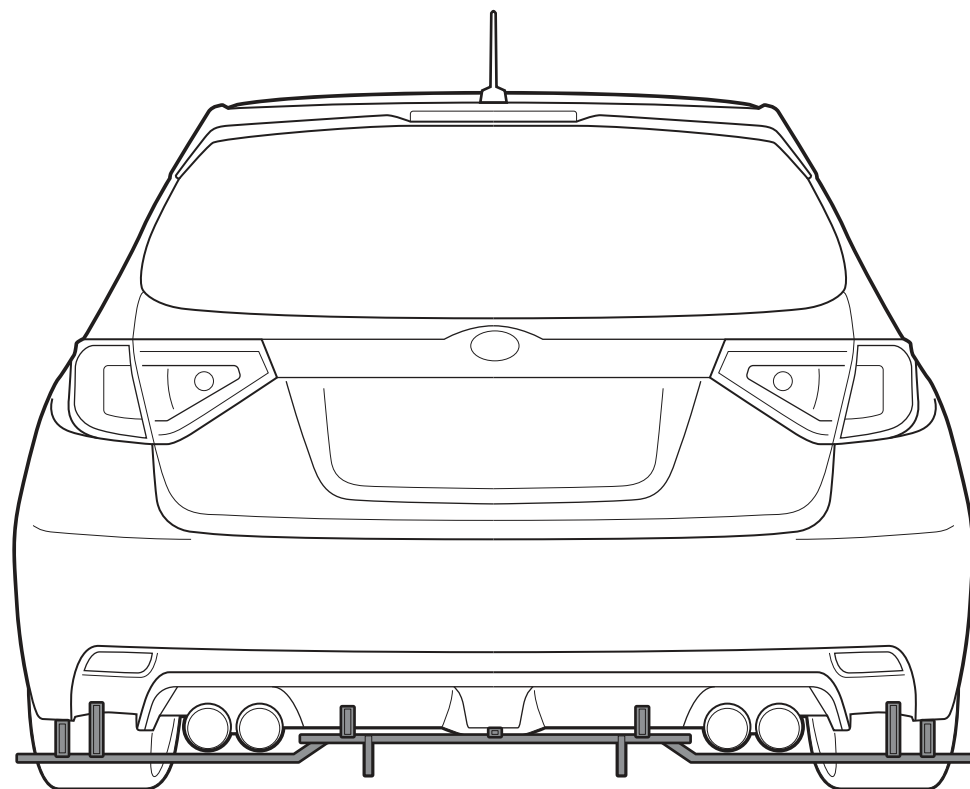
**NOTE:** Reach under the bumper to place the Washer and Nut inside the bumper

Repeat to install Passenger Side Panel to the Main Panel and bumper



# INSTALLATION GUIDE

## 2011-2014 Subaru Impreza WRX Hatchback ACM Rear Diffuser



s-rda-sub-01-e1

www.streetaero.com

info@streetaero.com