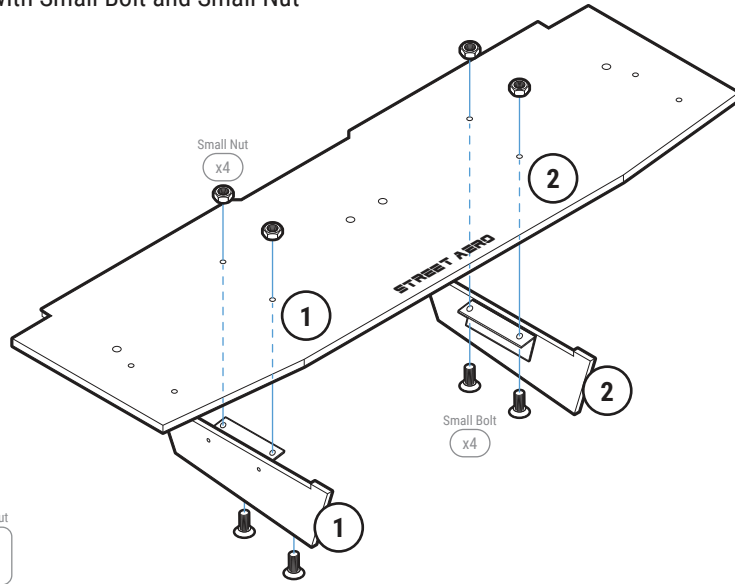


STEP: 1 Assemble Rear Diffuser

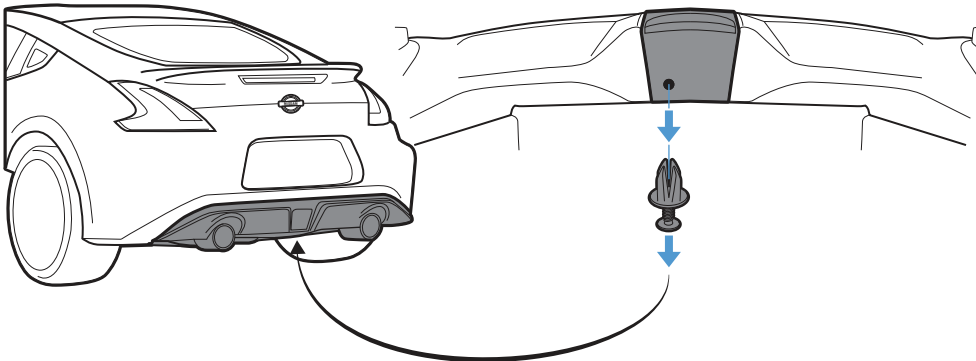
Carefully place Fin 1 and Fin 2 onto the Main Panel
(Match the number on the Fin to the number on the Main Panel)

Secure with Small Bolt and Small Nut



STEP: 2 Remove OEM Bolts

Remove the Push Pins located under the center of the bumper



STEP: 3 Install Mounting Bracket

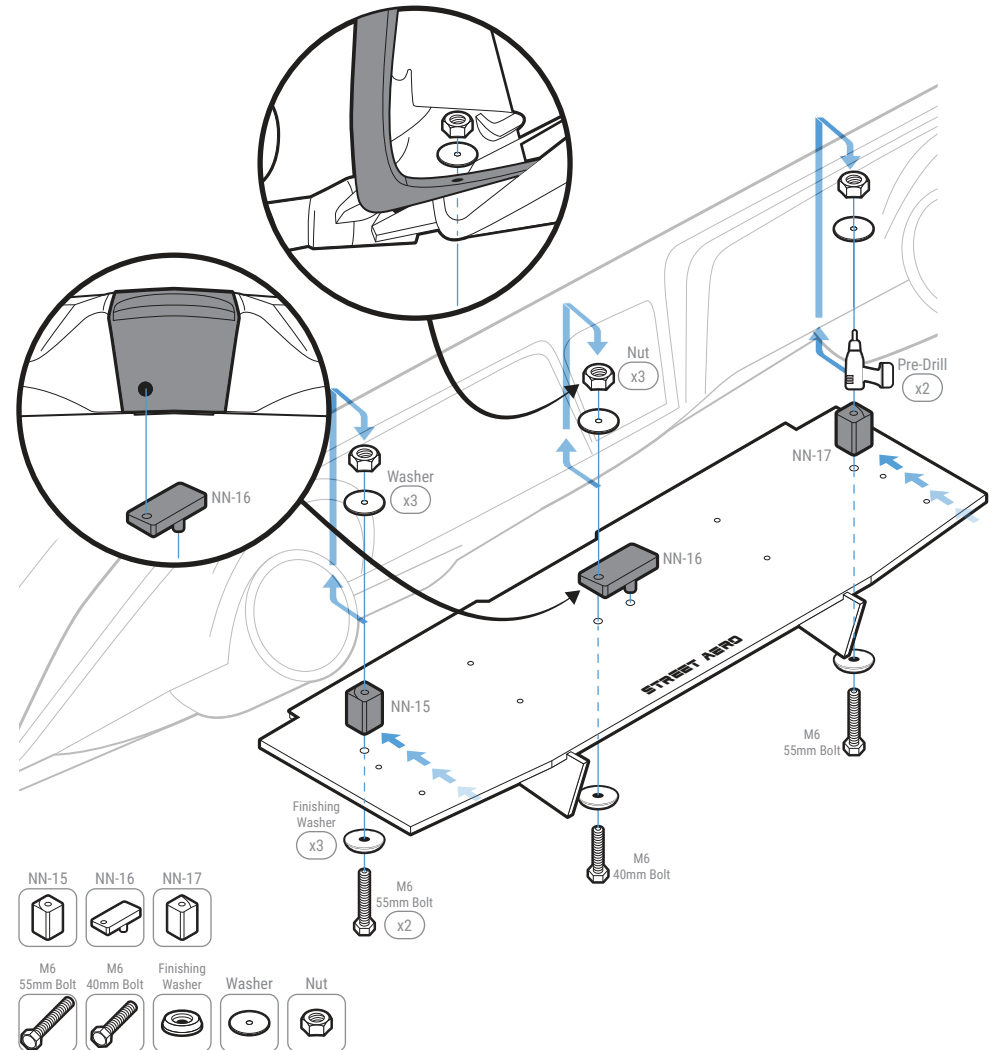
Mount the assembled Main Panel to the bumper by securing Mounting Bracket NN-16 to the OEM mounting hole on **STEP: 2** with M6 40mm Bolt, Finishing Washer, Washer, and Nut
NOTE: Reach under to place Washer and Nut inside the bumper

Align Mounting Bracket NN-15 and NN-17 to its correct spot then Mark and Pre-Drill into the bumper

NOTE: Use the hole on top of NN-6 to mark the drill location
NOTE: Mounting Bracket may need to be removed before pre-drilling

Secure Mounting Bracket NN-15 and NN-17 to the bumper with provided M6 55mm Bolt, Finishing Washer, Washer, and Nut

NOTE: Reach under the bumper to place the Washer and Nut inside the bumper



IMPORTANT: DO NOT over tighten or use power tools to mount the Mounting Brackets

STEP: 4 *Mount the Rear Diffuser*

Attach and secure Mounting Bracket NN-18 and NN-19 to the Side Panel with M6 16mm Bolt, Finishing Washer, and Nut

NOTE: Push the bolt all the way into the socket to prevent it from falling out

Attach the Side Panel to the Main Panel with Small Bolt and Small Nut

Mark where Mounting Bracket NN-18 and NN-19 will be mounted to the bumper

NOTE: Use the hole on top of NN-18 and NN-19 to mark the drill location

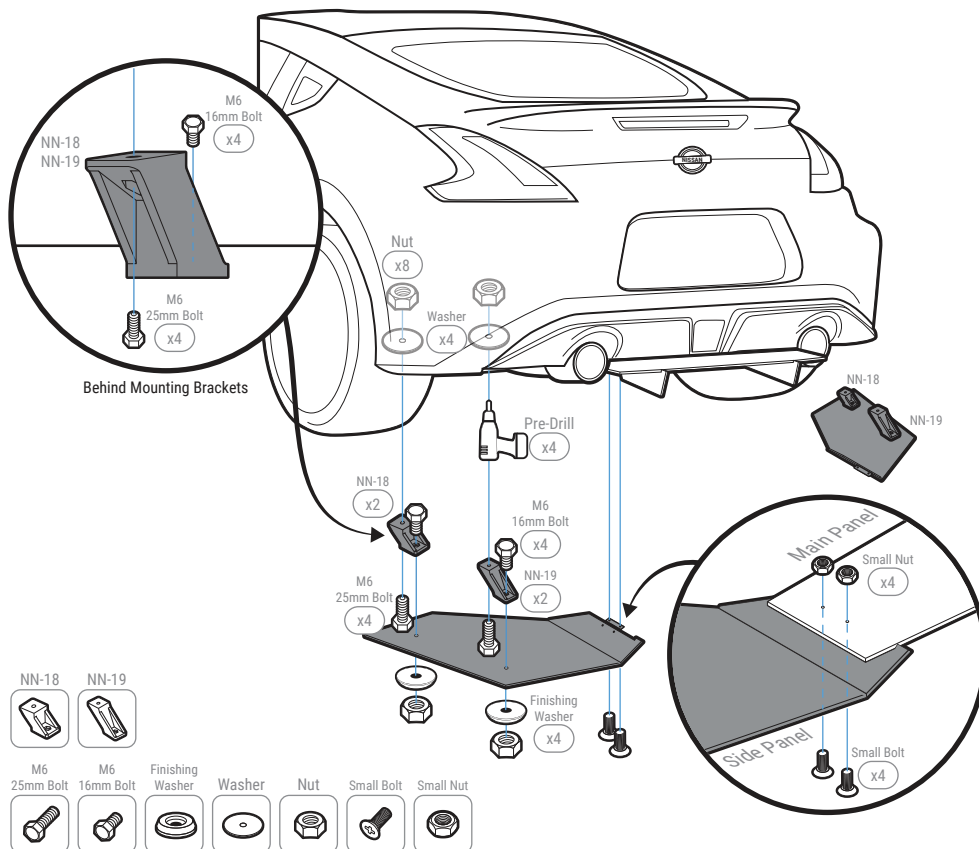
Pre-drill into the bumper

NOTE: Mounting Bracket may need to be removed before pre-drilling

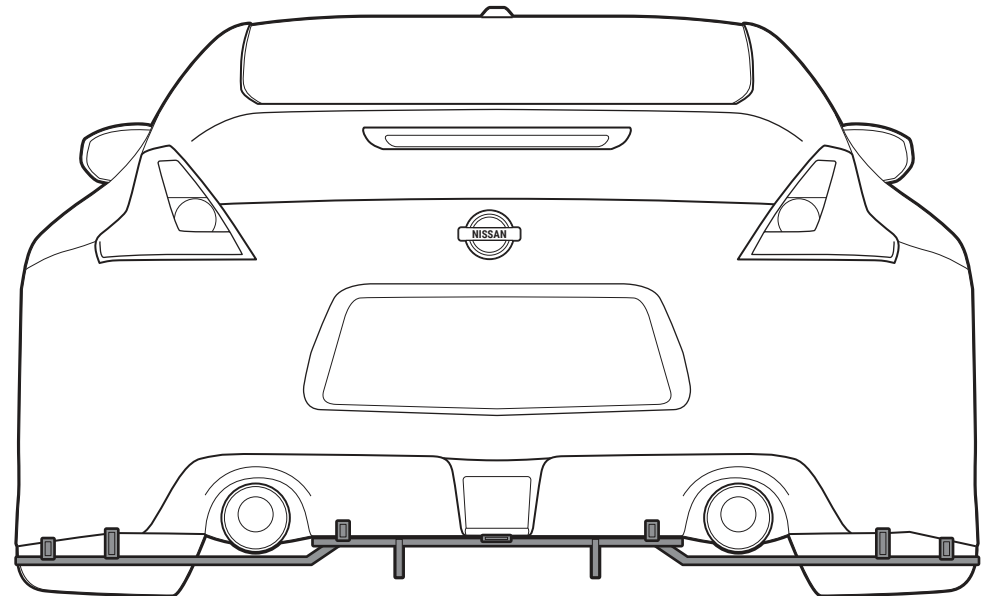
Secure Mounting Bracket NN-18 and NN-19 to the Side Panel with M6 25mm Bolt, Finishing Washer, Washer, and Nut

NOTE: Reach under or to the side of the bumper to place the Washer and Nut inside the bumper

Repeat to install Passenger Side Panel to the Main Panel and bumper



INSTALLATION GUIDE
2009-2020 Nissan 370z
(Dual & Single Exhaust)
ACM Rear Diffuser



s-rda-nis-01-e1 s-rda-nis-02-e1

www.streetaero.com

info@streetaero.com