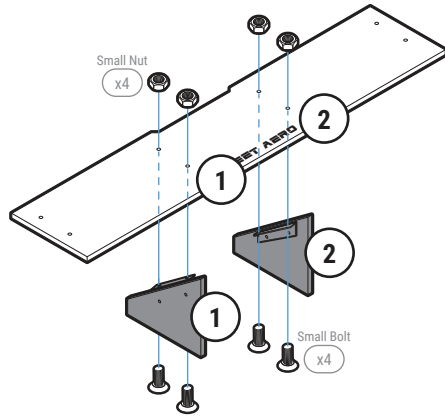


### STEP: 1 Assemble Main Panel

Carefully place Fin 1 and Fin 2 onto the Main Panel  
(Match the number on the Fin to the number on the Main Panel)

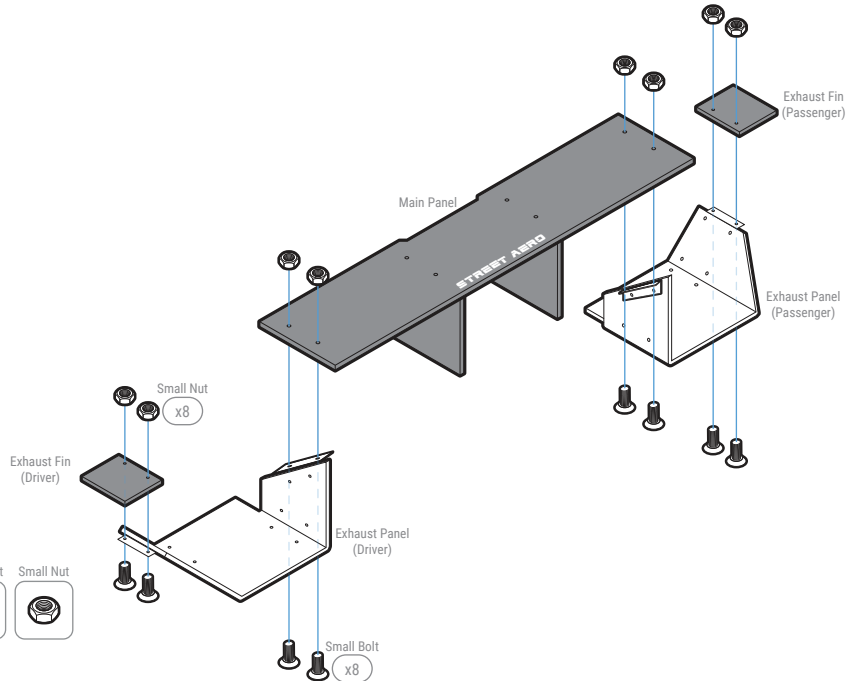
Secure with Small Bolt and Small Nut



### STEP: 2 Assemble Rear Diffuser

Attach the Exhaust Fin to the Exhaust Panel and secure with Small Bolt and Small Nut

Attach the Exhaust Panel to the Main Panel and secure with Small Bolt and Small Nut



### STEP: 3 Install Rear Diffuser

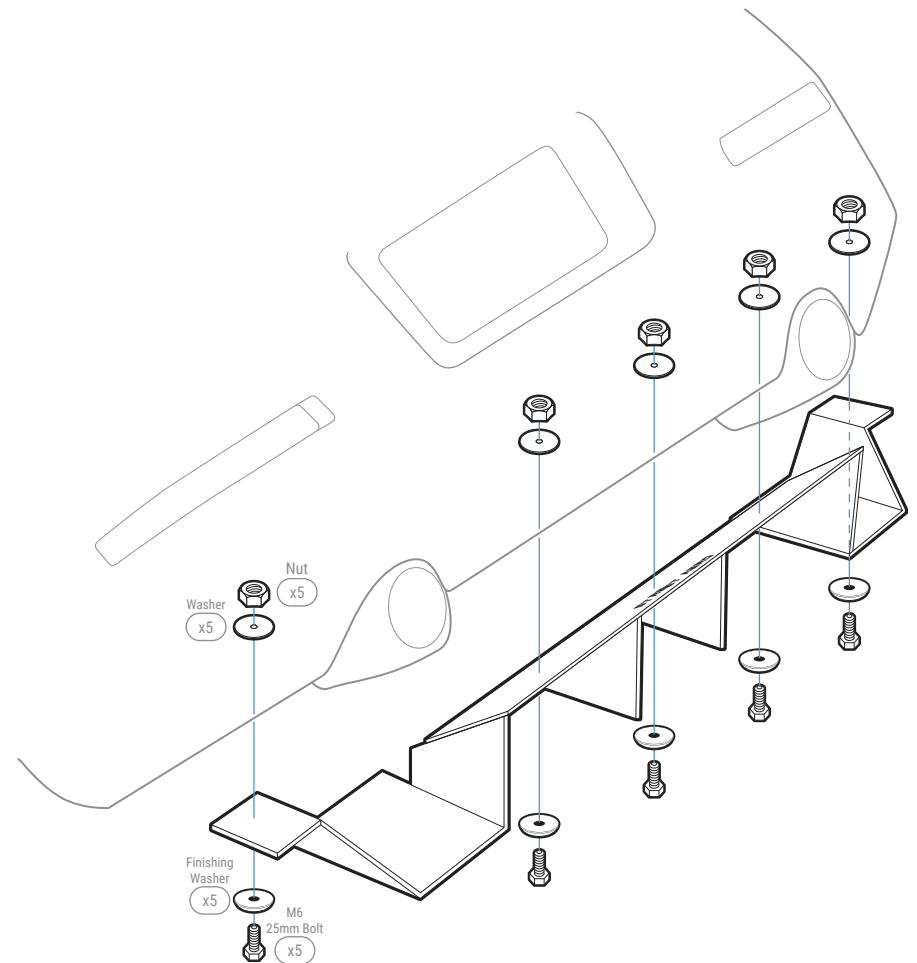
Align the assembled Rear Diffuser to the bumper

Mark where the Rear Diffuser has the most contact point to the bumper

Pre-drill through the Rear Diffuser and into the bumper at marked locations

Mount and secure the Rear Diffuser to the bumper with M6 25mm Bolt, Finishing Washer, Washer, and Nut

**NOTE:** Reach under the bumper to place the Washer and Nut inside the bumper



**STEP: 4** *Mount Side Fin*

Attach the Side Fin to the Side Panel and secure with Small Bolt and Small Nut

**NOTE:** We recommend removing any Splash Guard to get access behind the bumper

Align the Side Panel to the bumper

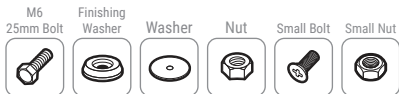
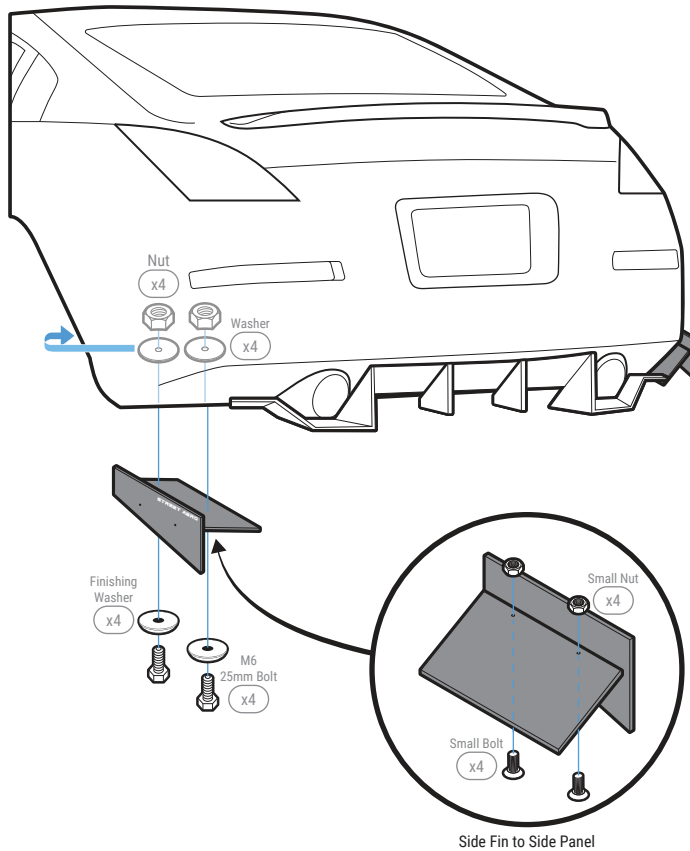
Mark where the Side Panel has the most contact point to the bumper

Pre-drill through the Side Panel and into the bumper at marked locations

Secure the Side Panel to the bumper with provided M6 25mm Bolt, Finishing Washer, Washer, and Nut

**NOTE:** Reach under the bumper to place the Washer and Nut inside the bumper

Repeat to install Passenger Side Panel

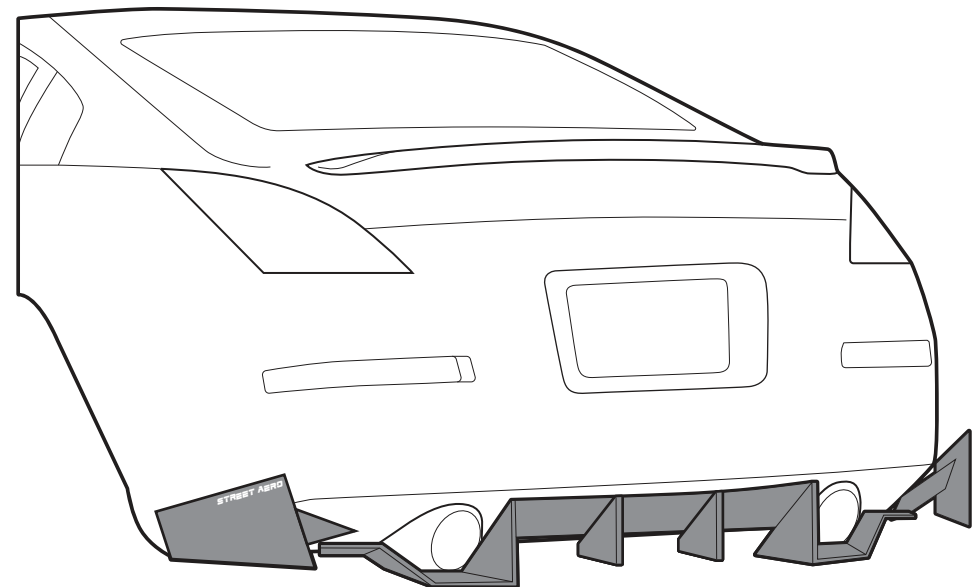


# INSTALLATION GUIDE

## Nissan 350Z

## OG Edition

## ACM Rear Diffuser



s-rda-nis-12

www.streetaero.com

info@streetaero.com