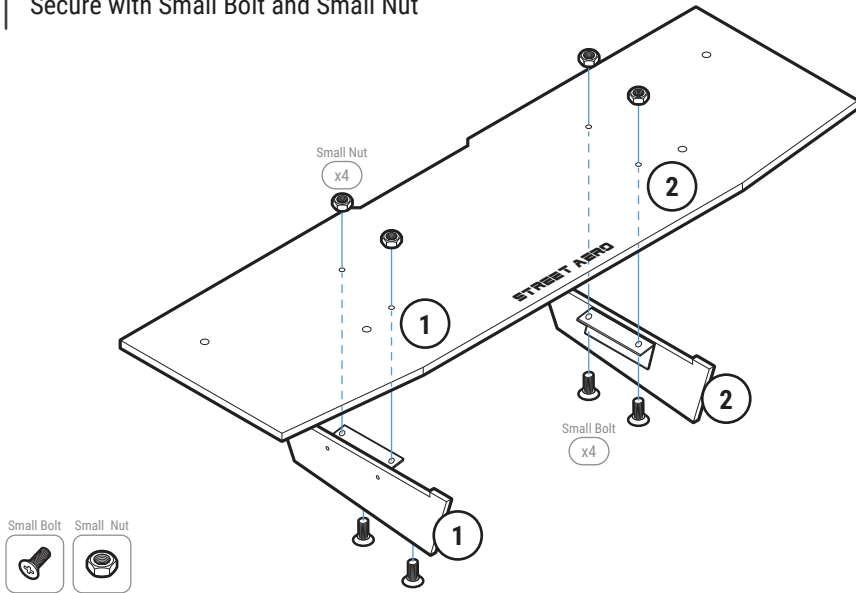


STEP: 1 Assemble Rear Diffuser

Carefully place Fin 1 and Fin 2 onto the Main Panel
(Match the number on the Fin to the number on the Main Panel)

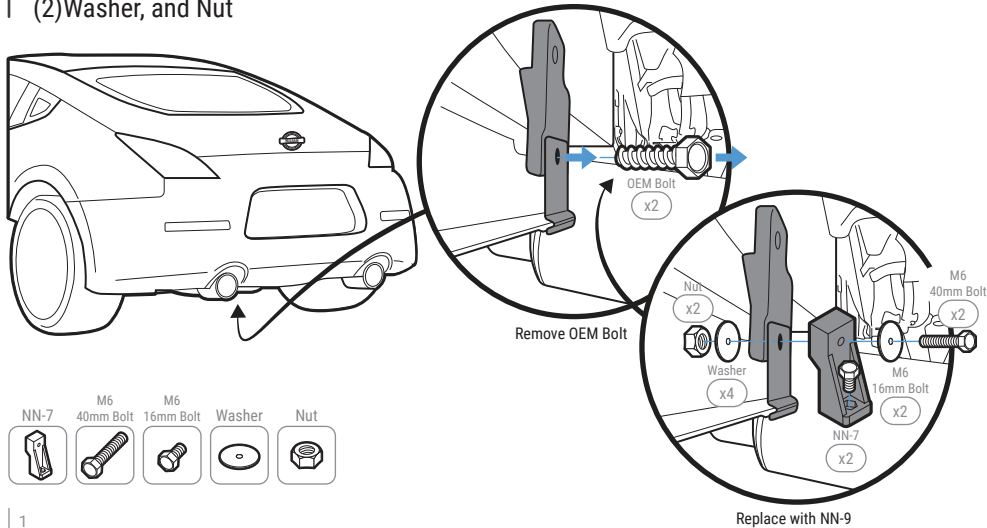
Secure with Small Bolt and Small Nut



STEP: 2 Remove OEM Bolts

Remove the OEM Bolt located under the center of the bumper

Mount both Mounting Bracket NN-7 to the OEM hole and secure with M6 40mm Bolt, (2)Washer, and Nut



STEP: 3 Install Mounting Bracket

Mount the assembled Main Panel to the bumper by securing the M6 40mm Bolt on Mounting Bracket NN-7 with Finishing Washer and Nut

NOTE: See **STEP: 2** if Mounting Bracket NN-7 has not been mounted to the bumper

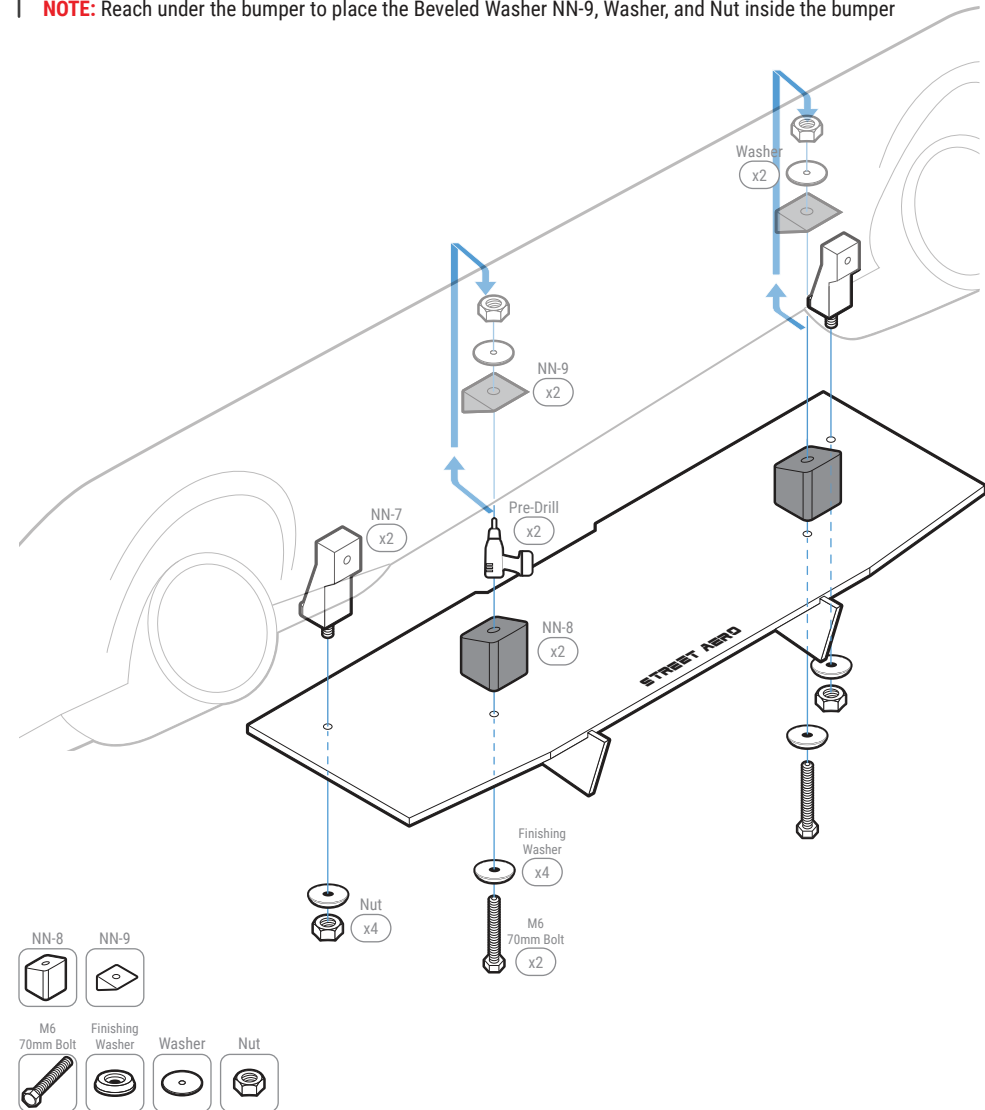
Align Mounting Bracket NN-8 to its correct spot then mark and pre-drill into the bumper

NOTE: Use the hole on top of NN-8 to mark the drill location

NOTE: Mounting Bracket may need to be removed before pre-drilling

Secure Mounting Bracket NN-8 to the bumper with provided M6 70mm Bolt, Finishing Washer, Beveled Washer NN-9, Washer, and Nut

NOTE: Reach under the bumper to place the Beveled Washer NN-9, Washer, and Nut inside the bumper



IMPORTANT: DO NOT over tighten or use power tools to mount the Mounting Brackets

STEP: 4 *Mount the Rear Diffuser*

Attach Mounting Bracket NN-12 and NN-14 to the Side Panel and secure with M6 16mm Bolt, Finishing Washer, and Nut

NOTE: Push the nut all the way into the socket to prevent it from falling out

Align the Side Panel to the bumper

Mark where Mounting Bracket NN-10, NN-12, and NN-14 will be mounted to the bumper

NOTE: Use the hole on top of the Mounting Bracket to mark the drill location

Pre-drill into the bumper

NOTE: Mounting Bracket may need to be removed before pre-drilling

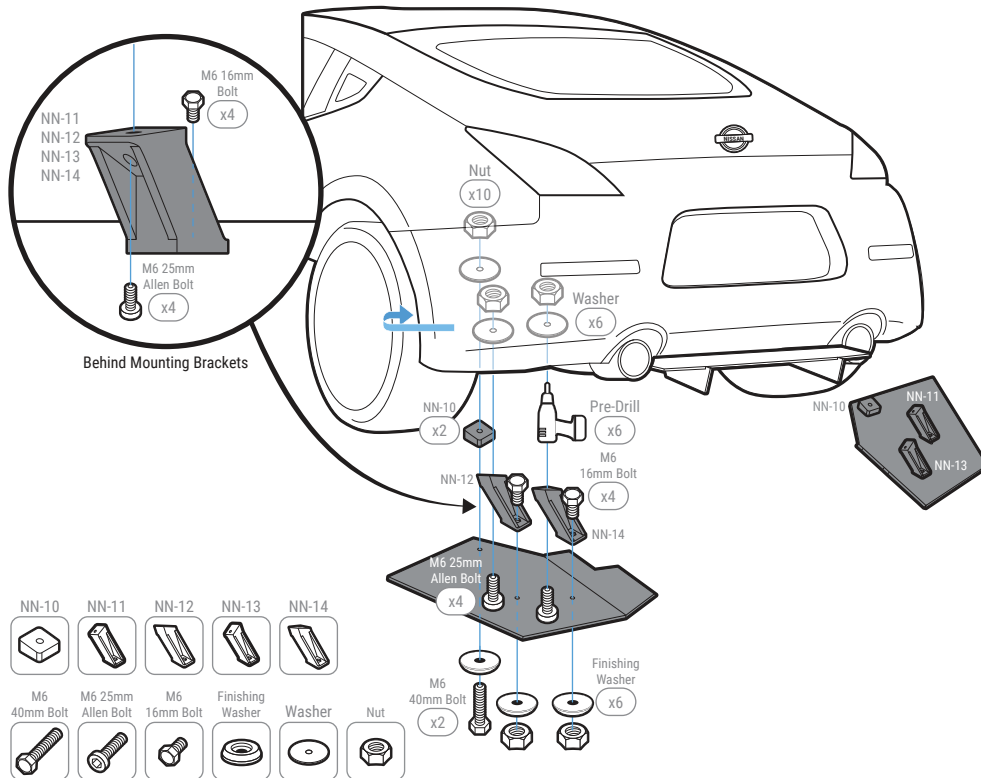
Mount the Side Panel to the bumper by securing Mounting Bracket NN-10 with M6 40mm Bolt, Finishing Washer, Washer, and Nut

NOTE: Reach under or to the side of the bumper to place the Washer and Nut inside the bumper

Continue mounting by securing Mounting Bracket NN-12 and NN-14 to the bumper with M6 25mm Allen Bolt, Washer, and Nut

NOTE: Reach under or to the side of the bumper to place the Washer and Nut inside the bumper

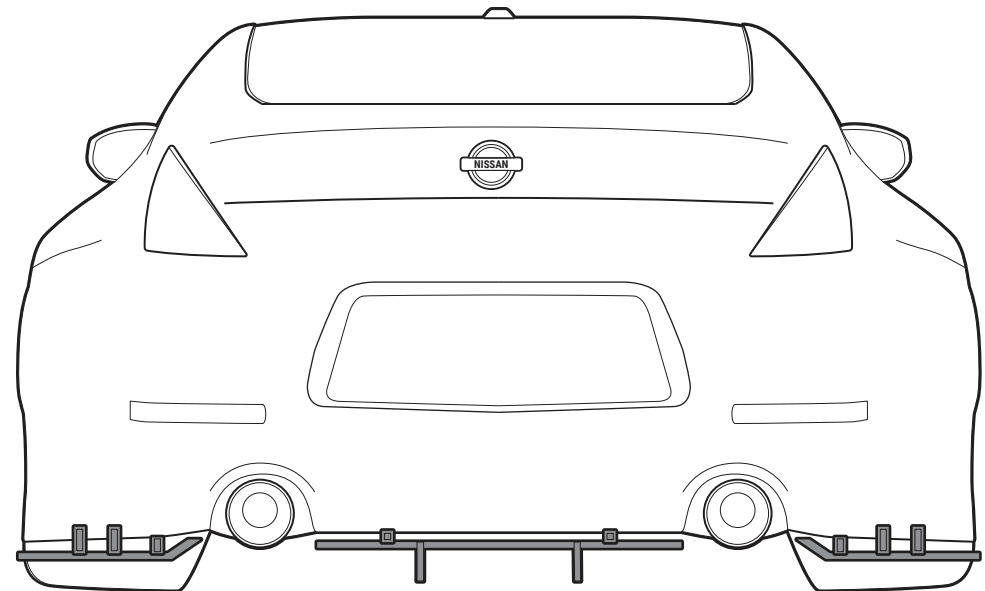
Repeat to install Passenger Side Panel to the bumper



INSTALLATION GUIDE

2003-2009 Nissan 350z

ACM Rear Diffuser



s-rda-nis-12-e1

www.streetaero.com

info@streetaero.com

