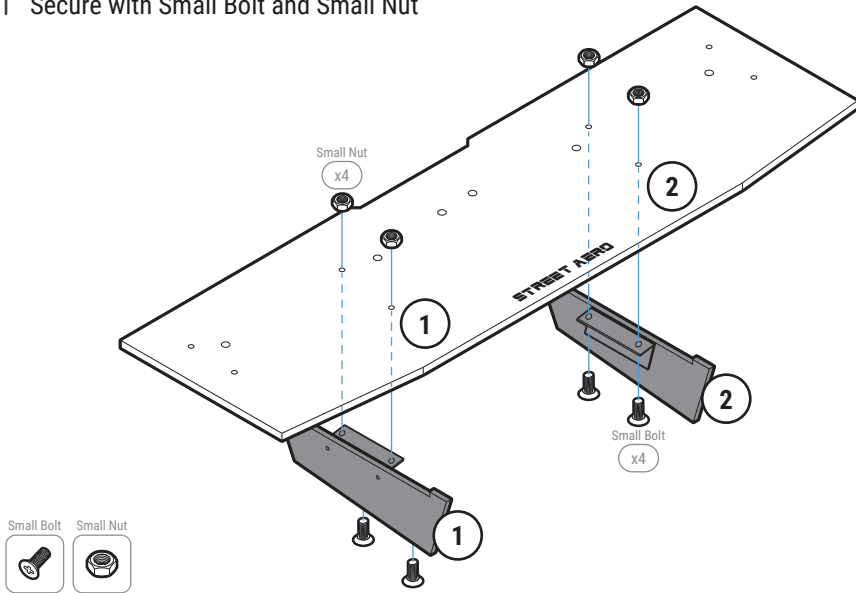


STEP: 1 Assemble Rear Diffuser

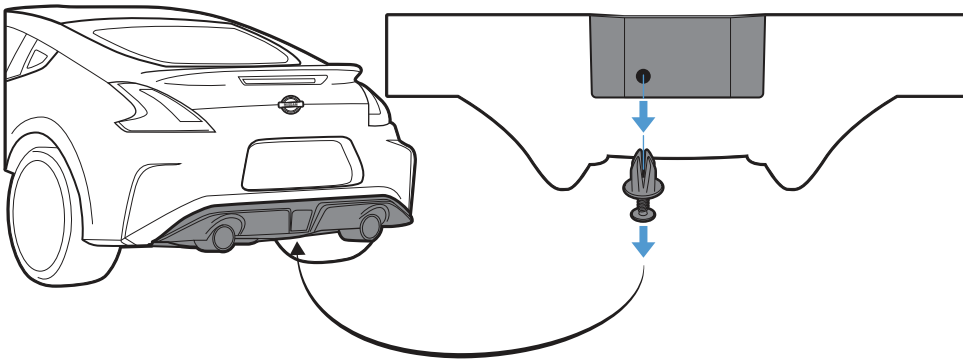
Carefully place Fin 1 and Fin 2 onto the Main Panel
(Match the number on the Fin to the number on the Main Panel)

Secure with Small Bolt and Small Nut



STEP: 2 Remove OEM Push Pin

Remove the Push Pins located under the center of the bumper



STEP: 3 Install Main Panel

Mount the assembled Main Panel to the bumper by securing M6 25mm Bolt to the OEM mounting hole on **STEP: 2** with Finishing Washer, Washer, and Nut
NOTE: Reach under to place Washer and Nut inside the bumper

Rotate and Align the Main Panel to the bumper until it is straight with the bumper

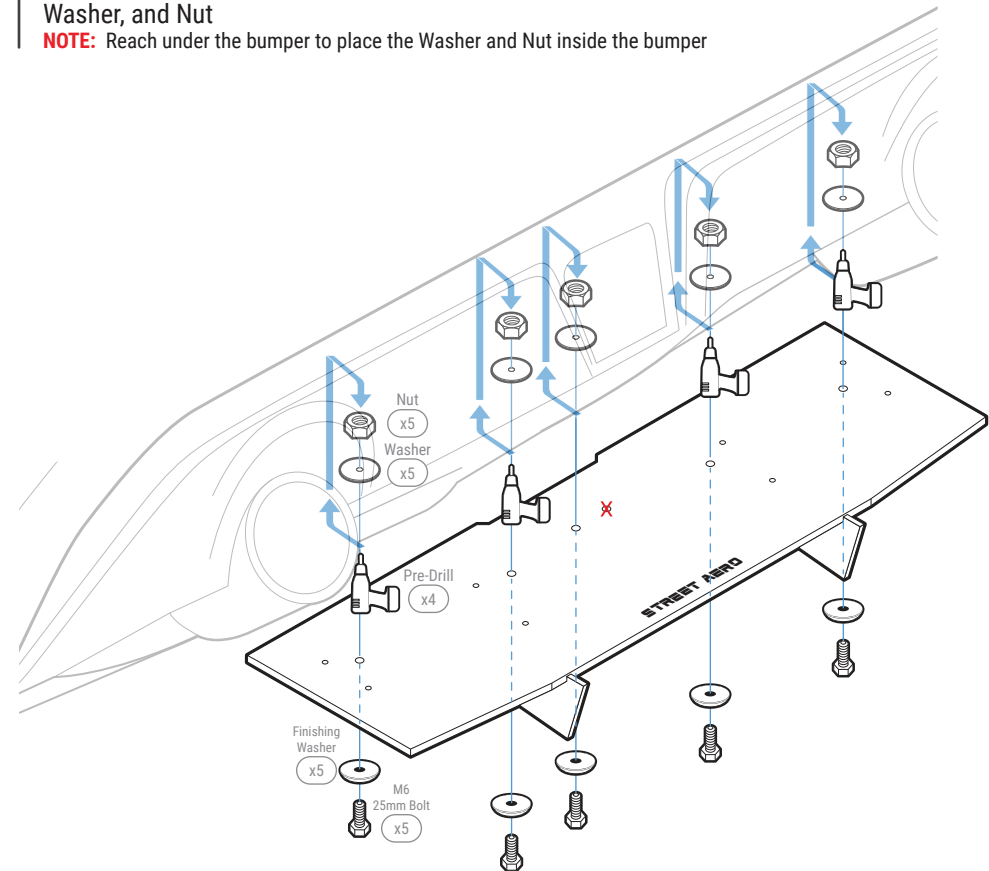
Mark and Pre-Drill into the bumper

NOTE: Use the (4) holes on the Main Panel to mark the drill location

NOTE: The center hole that is marked **X** is not required to mount

Secure the Main Panel to the bumper with provided M6 25mm Bolt, Finishing Washer, Washer, and Nut

NOTE: Reach under the bumper to place the Washer and Nut inside the bumper



IMPORTANT: DO NOT over tighten or use power tools to mount the Mounting Brackets

STEP: 4 *Mount the Rear Diffuser*

Attach and secure Mounting Bracket NN-1, NN-2, and NN-3 to the Side Panel with M6 16mm Bolt, Finishing Washer, and Nut

NOTE: Push the nut all the way into the socket to prevent it from falling out

Attach the Driver Side Panel to the Main Panel with Small Bolt and Small Nut

Mark where Mounting Bracket NN-1, NN-2, NN-3 will be mounted to the bumper

NOTE: Use the hole on top of the Mounting Brackets to mark the drill location

Pre-drill into the bumper

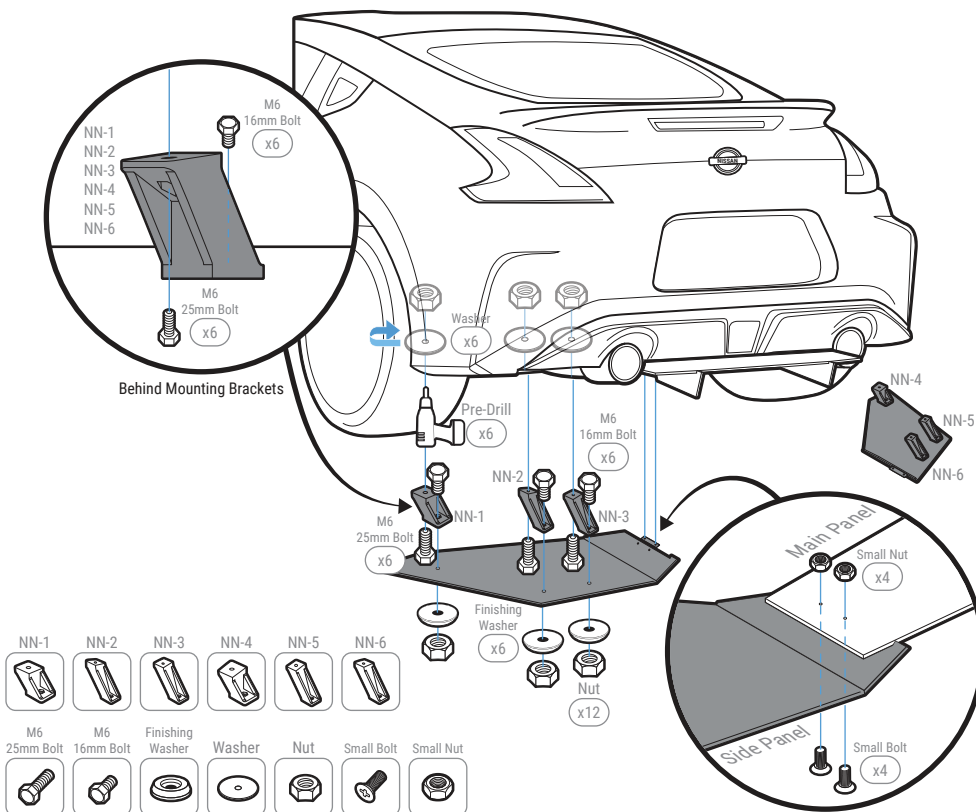
NOTE: Mounting Brackets or Side Panel may need to be removed before pre-drilling

Secure Mounting Bracket NN-1, NN-2, NN-3 to the Side Panel

Mount the Side Panel to the bumper by securing Mounting Bracket NN-1, NN-2, NN-3 with provided M6 25mm Bolt, Finishing Washer, Washer, and Nut

NOTE: Reach under or to the side of the bumper to place the Washer and Nut inside the bumper

Repeat to install Passenger Side Panel to the Main Panel and bumper with Mounting Bracket NN-4, NN-5, NN-6



INSTALLATION GUIDE
2015-2020 Nissan 370z Nismo
ACM Rear Diffuser

