

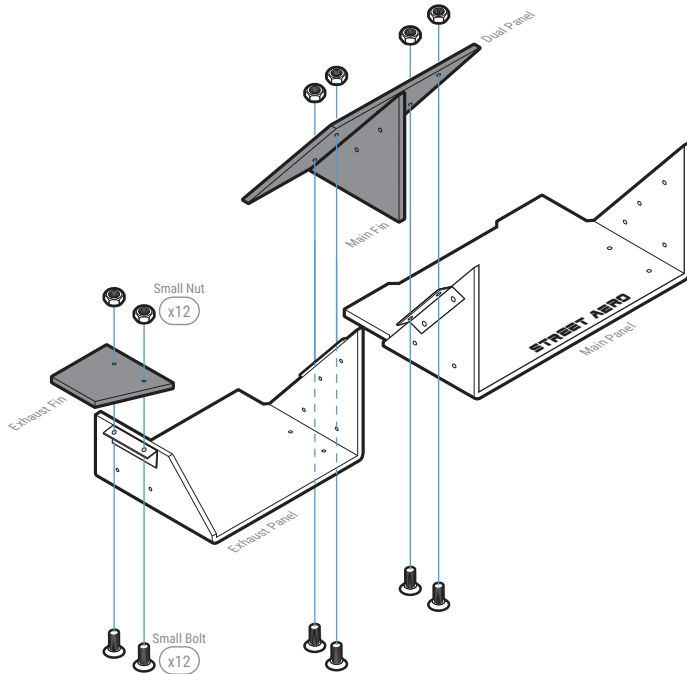
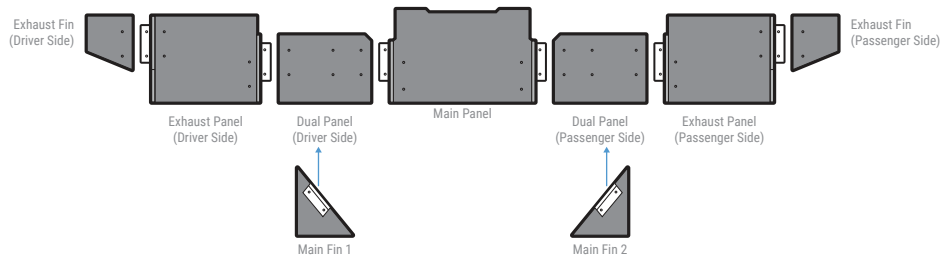
STEP: 1 Assemble Rear Diffuser

Place and secure the Exhaust Fin onto the Exhaust Panel with Small Bolt and Small Nut

Connect and secure the Dual Panel to the Main Panel with Small Bolt and Small Nut

Connect and secure the Exhaust Panel to the Dual Panel and Main Panel with Small Bolt and Small Nut

Repeat to assemble the passenger side



STEP: 3 Mount the Rear Diffuser

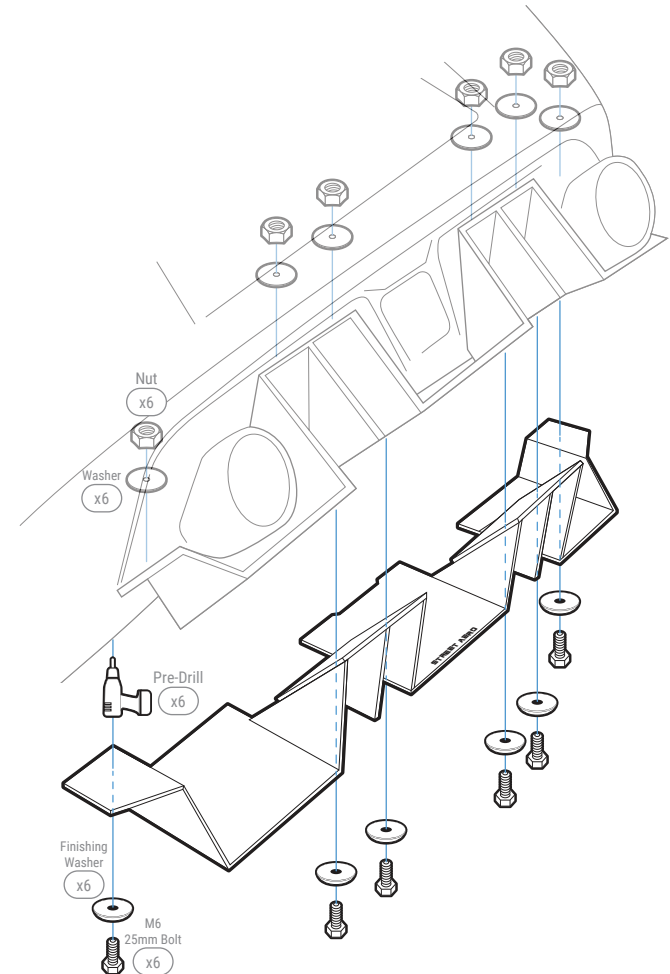
Align the assembled Rear Diffuser to the rear bumper

Mark where the Rear Diffuser has the most contact surface to the bumper

Pre-drill through the Rear Diffuser and into the bumper at the marked locations

Mount the Rear Diffuser to the bumper by securing the M6 25mm Bolt with Finishing Washer, Washer, and Nut

NOTE: Reach under or to the side of the bumper to place Washer and Nut inside the bumper



STEP: 4 *Mount the Side Panel*

Remove the Push Pins located under the bumper near the rear wheels to get access behind the bumper

NOTE: We also recommend removing any Splash Guard to get access behind the bumper

Align the Side Panel to the bumper

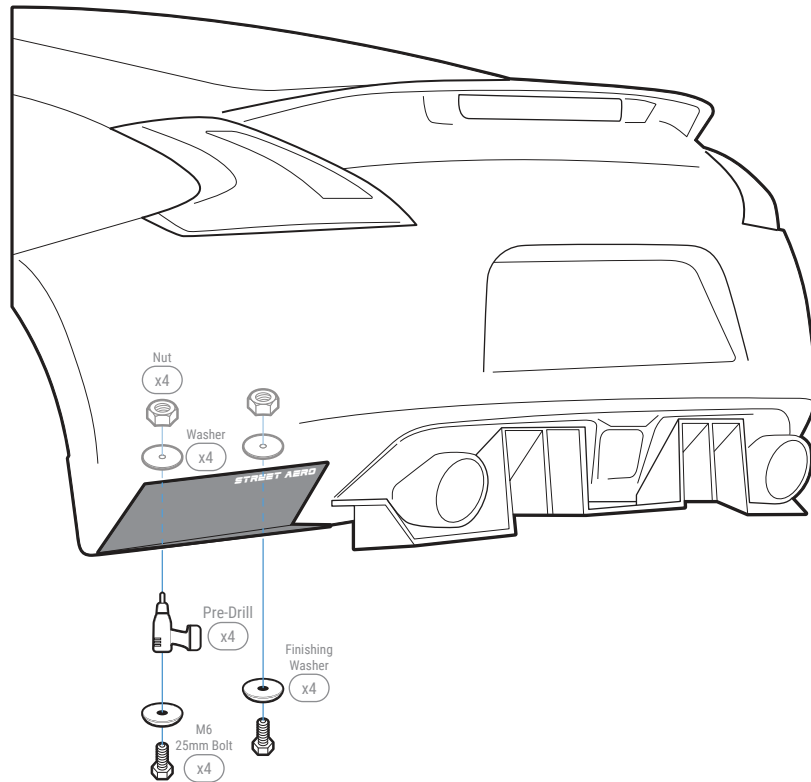
Mark where the Side Panel has the most contact surface to the bumper

Pre-drill through the Side Panel and into the bumper at the marked locations

Mount the Side Panel to the bumper by securing the M6 25mm Bolt with Finishing Washer, Washer, and Nut

NOTE: Reach under or to the side of the bumper to place Washer and Nut inside the bumper

Repeat to install the passenger side

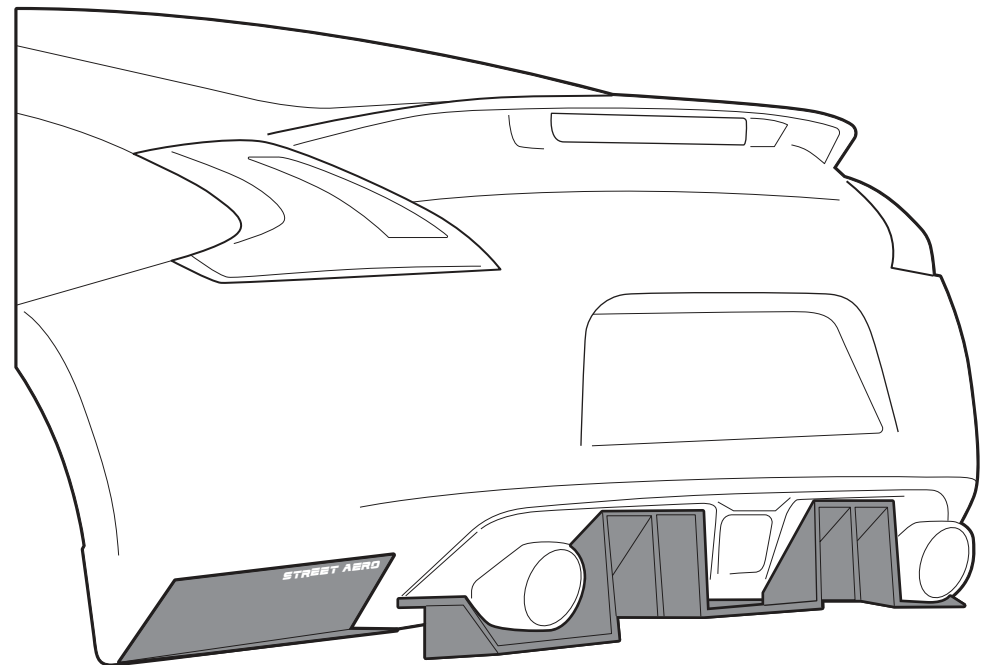


INSTALLATION GUIDE

Nissan 370Z

OG Edition

ACM Rear Diffuser



s-rda-nis-10

www.streetaero.com

info@streetaero.com