

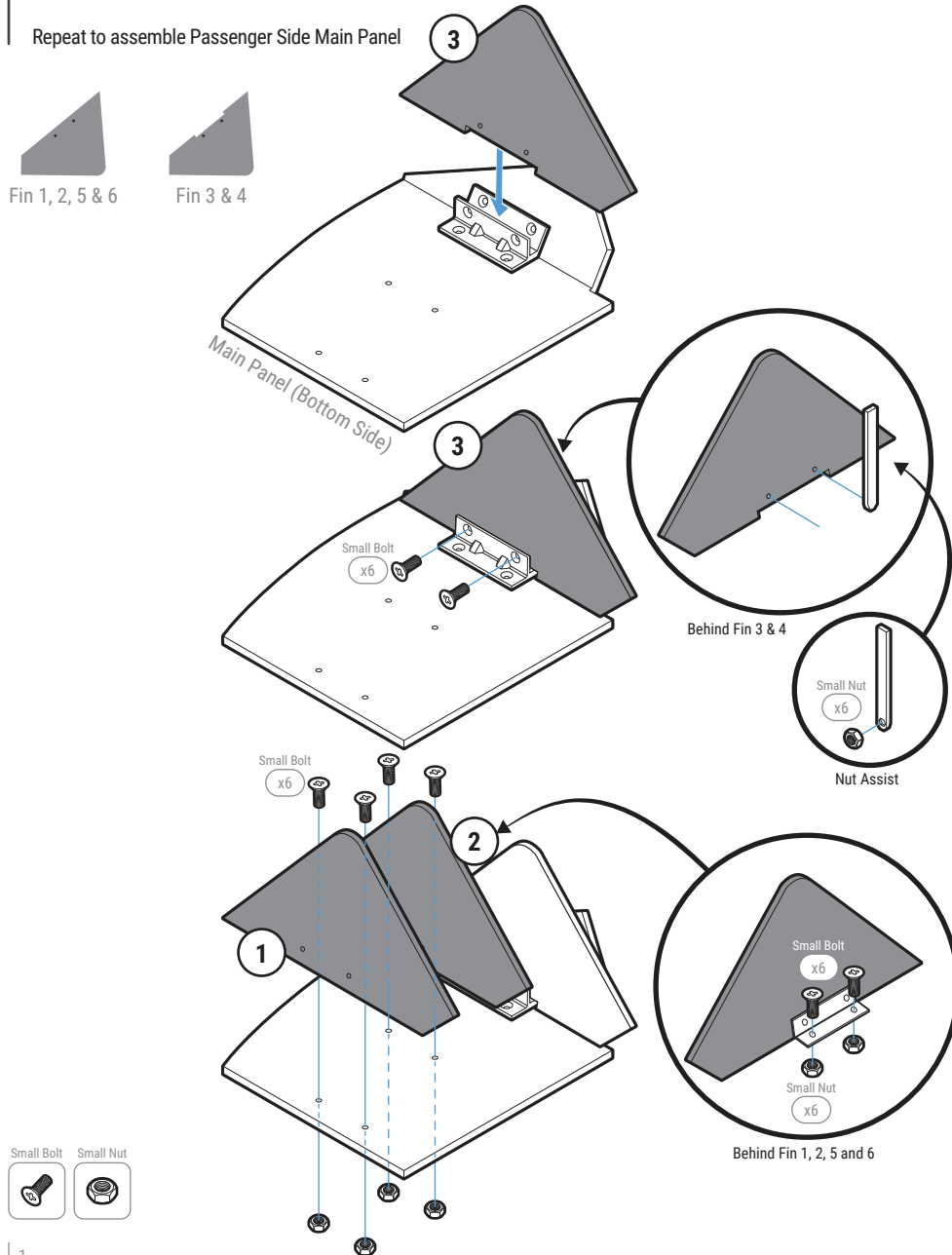
STEP: 1 Assemble Main Panel

Carefully place Fin 3 and Fin 4 onto the Main Panel
(Match the number on the Fin to the number on the Main Panel)

Secure with Small Bolt and Small Nut

NOTE: Use provided Nut Assist to place the small nut on the opposite side of the bolt

Repeat to assemble Passenger Side Main Panel



STEP: 3 Install Main Panel

Align the assembled Main Panels to the bumper

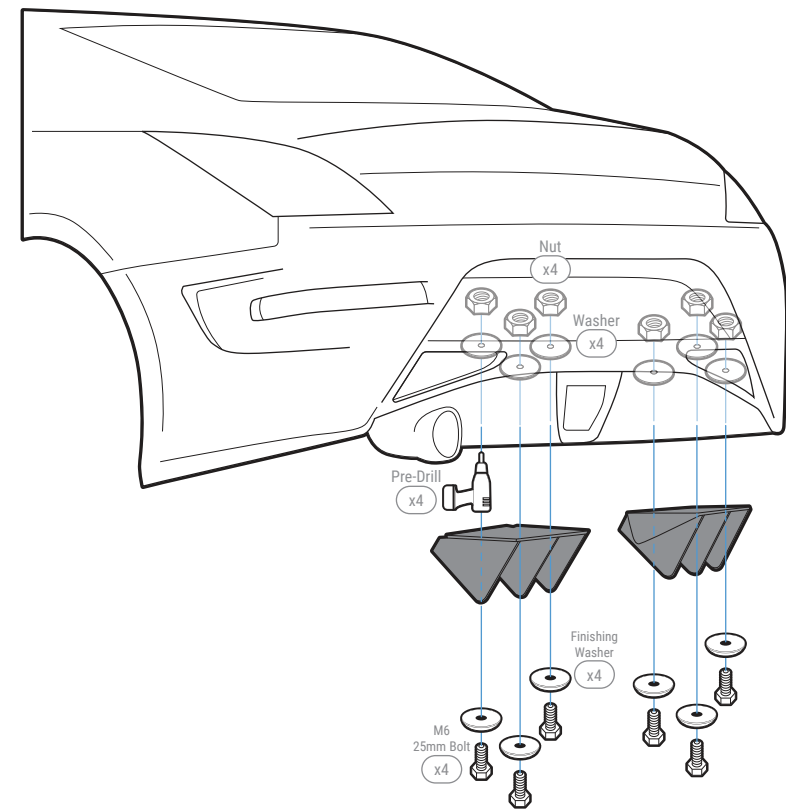
Mark where the Main Panel has the most contact point to the bumper

Pre-drill through the Main Panel and into the bumper

Secure the Main Panel to the bumper with provided M6 25mm Bolt, Finishing Washer, Washer, and Nut

NOTE: Reach under or to the side of the bumper to place Washer and Nut inside the bumper

Repeat to install the Passenger Side



STEP: 4 *Mount the Rear Diffuser*

Align the Side Fin to the bumper

Mark where the Side Fin has the most contact point to the bumper

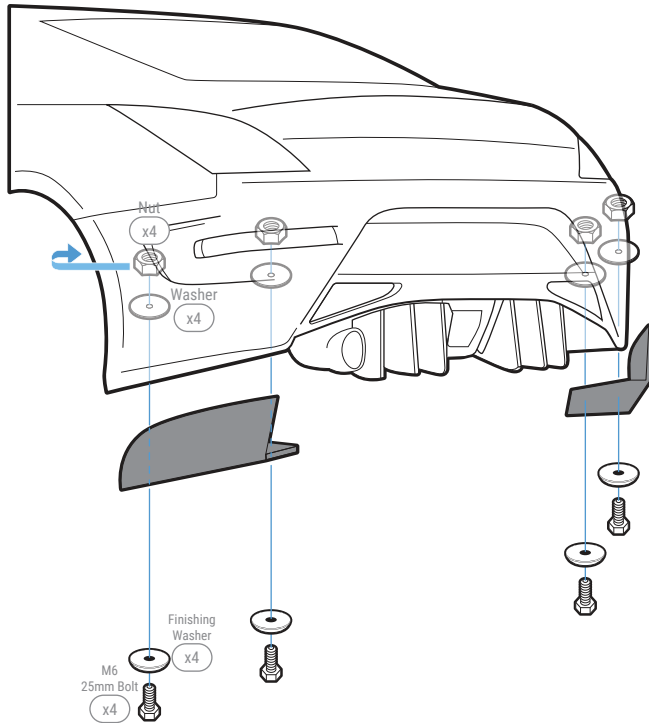
Pre-drill through the Side Fin and into the bumper

Secure the Side Fin to the bumper with provided M6 25mm Bolt, Finishing Washer, Washer, and Nut

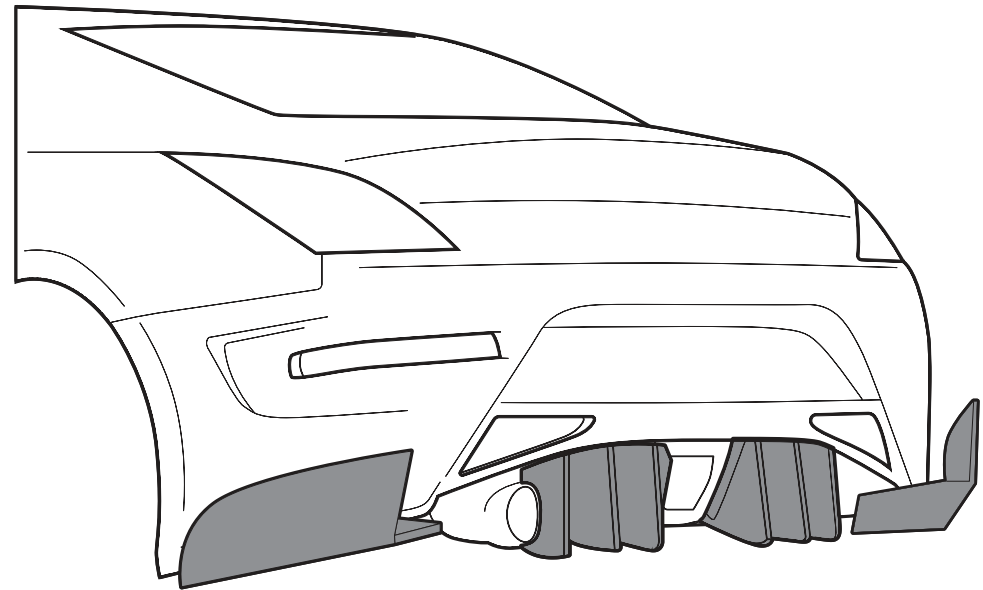
NOTE: We recommend removing the Splash Guard to get access behind the bumper

NOTE: Reach under or to the side of the bumper to place Washer and Nut inside the bumper

Repeat to install Passenger Side Fin to the bumper



INSTALLATION GUIDE
Nissan 350Z & 370Z Amuse
OG Edition
ACM Rear Diffuser



s-rda-nis-09

www.streetaero.com

info@streetaero.com