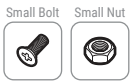
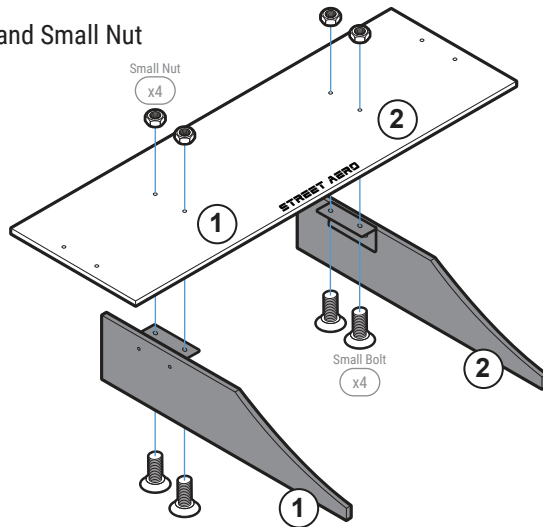


STEP: 1 Assemble Main Panel

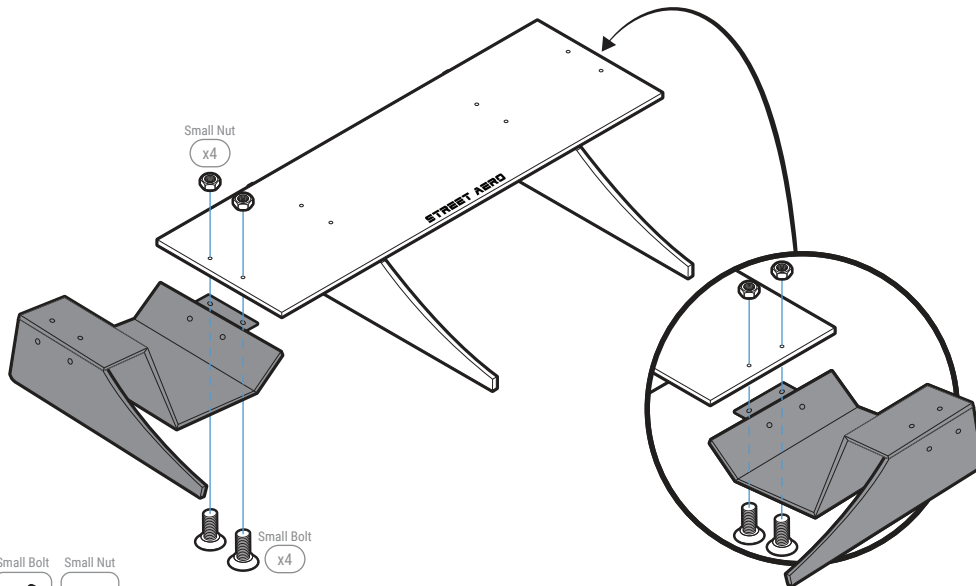
Carefully place Fin 1 and Fin 2 onto the Main Panel
(Match the number on the Fin to the number on the Main Panel)

Secure with Small Bolt and Small Nut



STEP: 2 Attach Exhaust Panel

Attach the Exhaust Panel to the Main Panel and secure with Small Bolt and Small Nut



STEP: 3 Install Main Panel

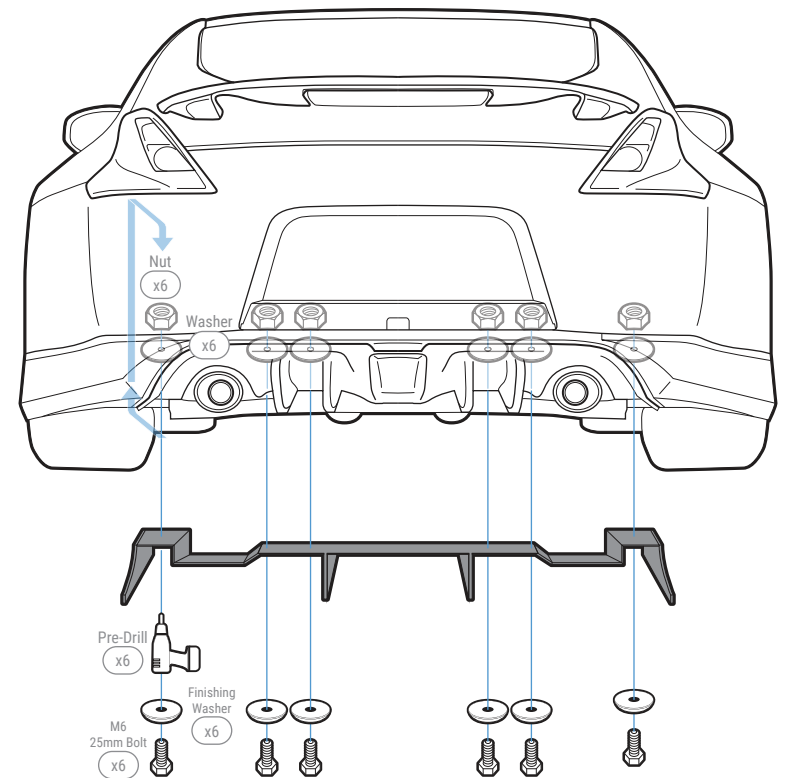
Align the assembled a Main Panel to the bumper

Mark where the Main Panel has the most contact to the bumper

Pre-drill through the Main Panel and into the bumper

Secure the Main Panel to the bumper with provided M6 25mm Bolt, Finishing Washer, Washer, and Nut

NOTE: Reach under to place Washer and Nut inside the bumper



STEP: 4 *Mount the Universal Side Fin*

Align the Side Fin to the bumper

Mark Where the Side Fin has the most contact to the bumper

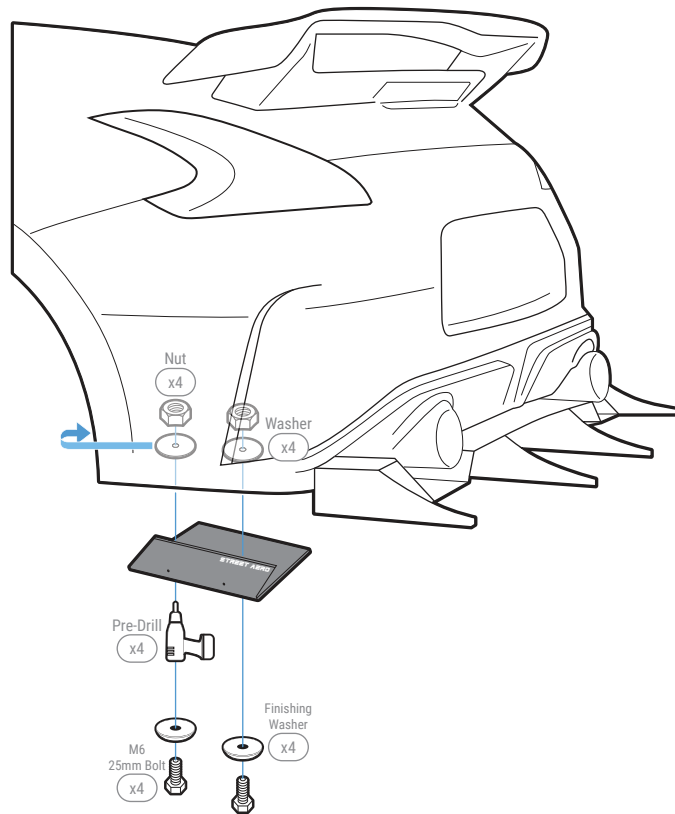
Pre-drill through the Side Fin and into the bumper

Secure the Side Fin to the bumper with provided M6 25mm Bolt, Finishing Washer, Washer, and Nut

NOTE: We recommend removing the Splash Guard to get access behind the bumper

NOTE: Reach under to place Washer and Nut inside the bumper

Repeat to install Passenger Side Panel to the Main Panel and bumper

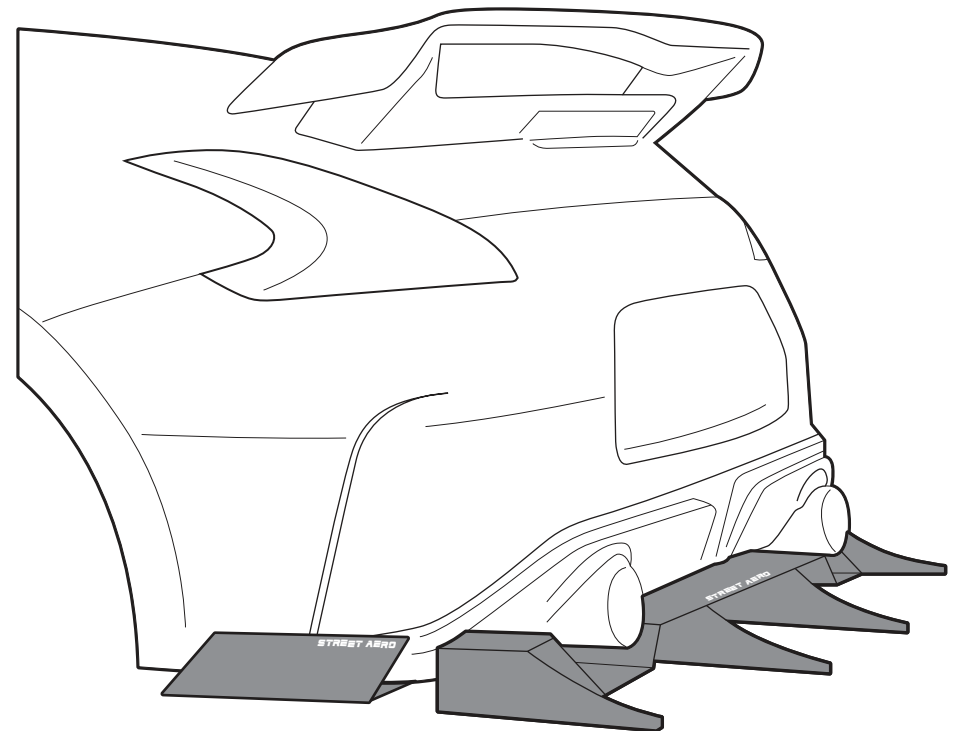


INSTALLATION GUIDE

Nissan 370z

Guape OG Edition

ACM Rear Diffuser



s-rda-nis-03

www.streetaero.com

info@streetaero.com