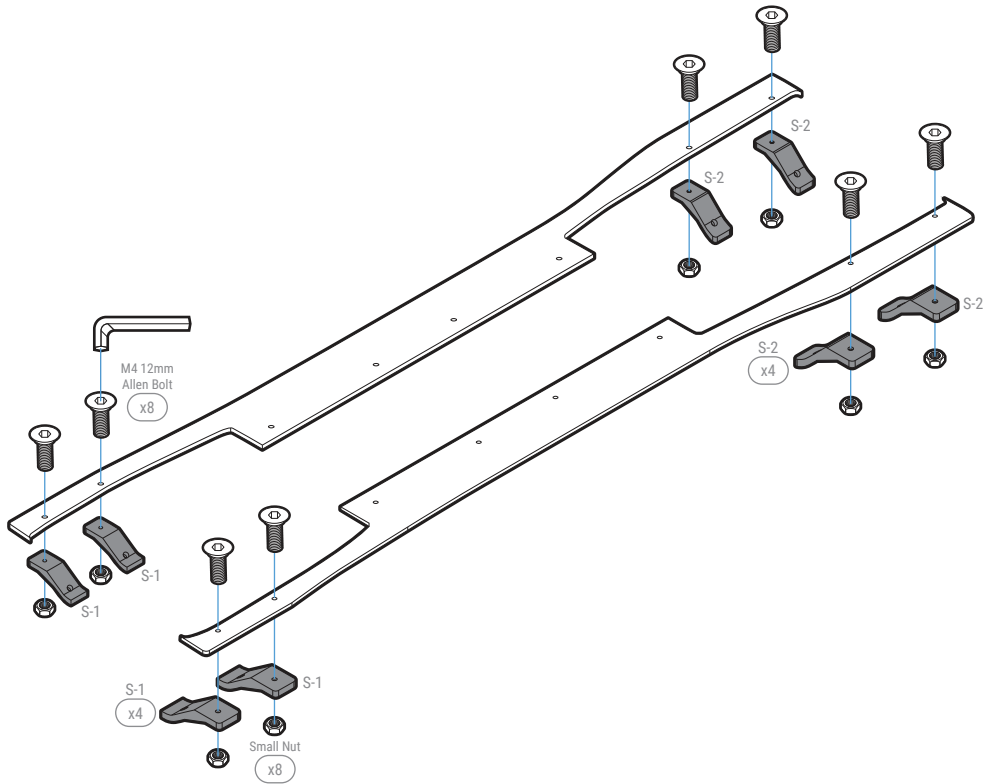


## STEP: 1 *Install Mounting Bracket*

Install Mounting Bracket S-1 to the front side of the Side Splitter and secure with M4 12mm Allen Bolt and Small Nut

Install Mounting Bracket S-2 to the rear side of the Side Splitter and secure with M4 12mm Allen Bolt and Small Nut

Repeat for the passenger side



## STEP: 2 *Align to Vehicle*

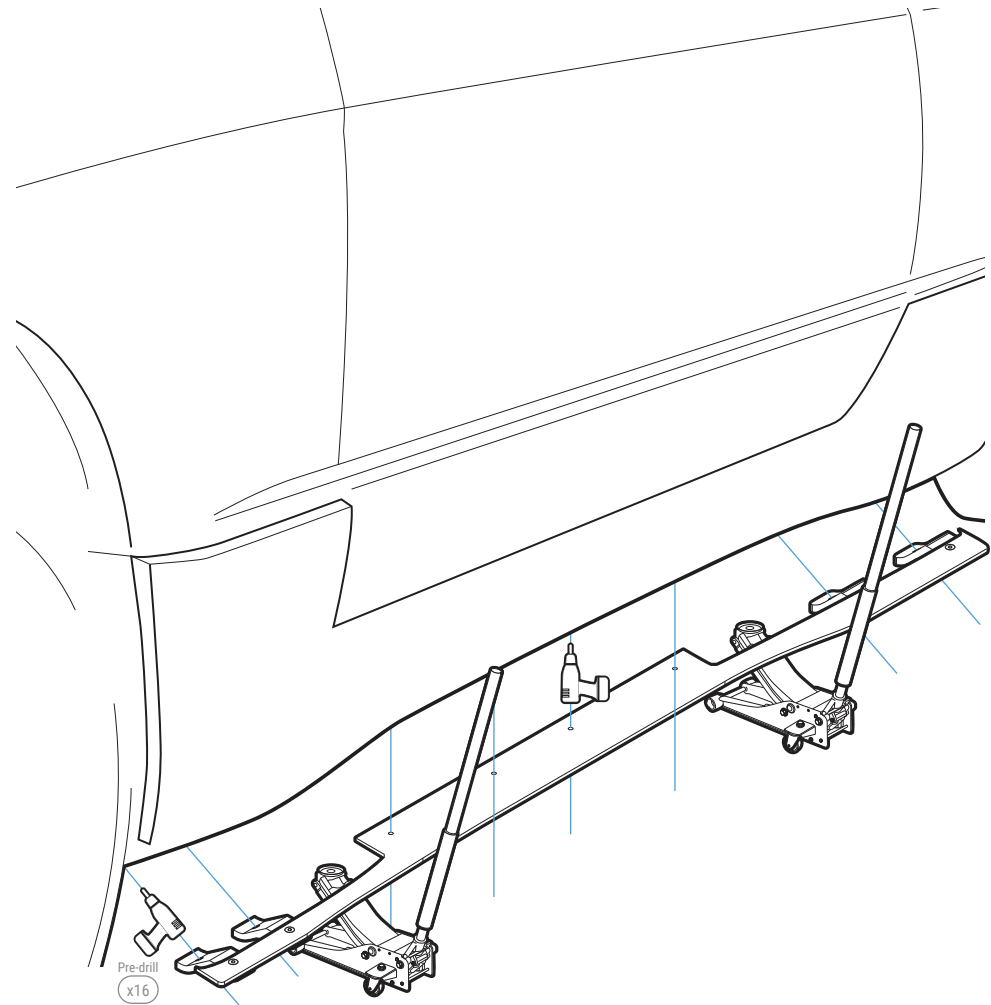
Position and align the Side Splitter to the vehicle

**NOTE:** The Side Splitter should extend from the front edge of the side skirt to the rear edge of the side skirt

Mark and pre-drill the mounting location on the side skirt by using the hole on the Mounting Bracket and Side Splitter

**NOTE:** Mounting Bracket may need to be moved before pre-drilling

Repeat for the passenger side

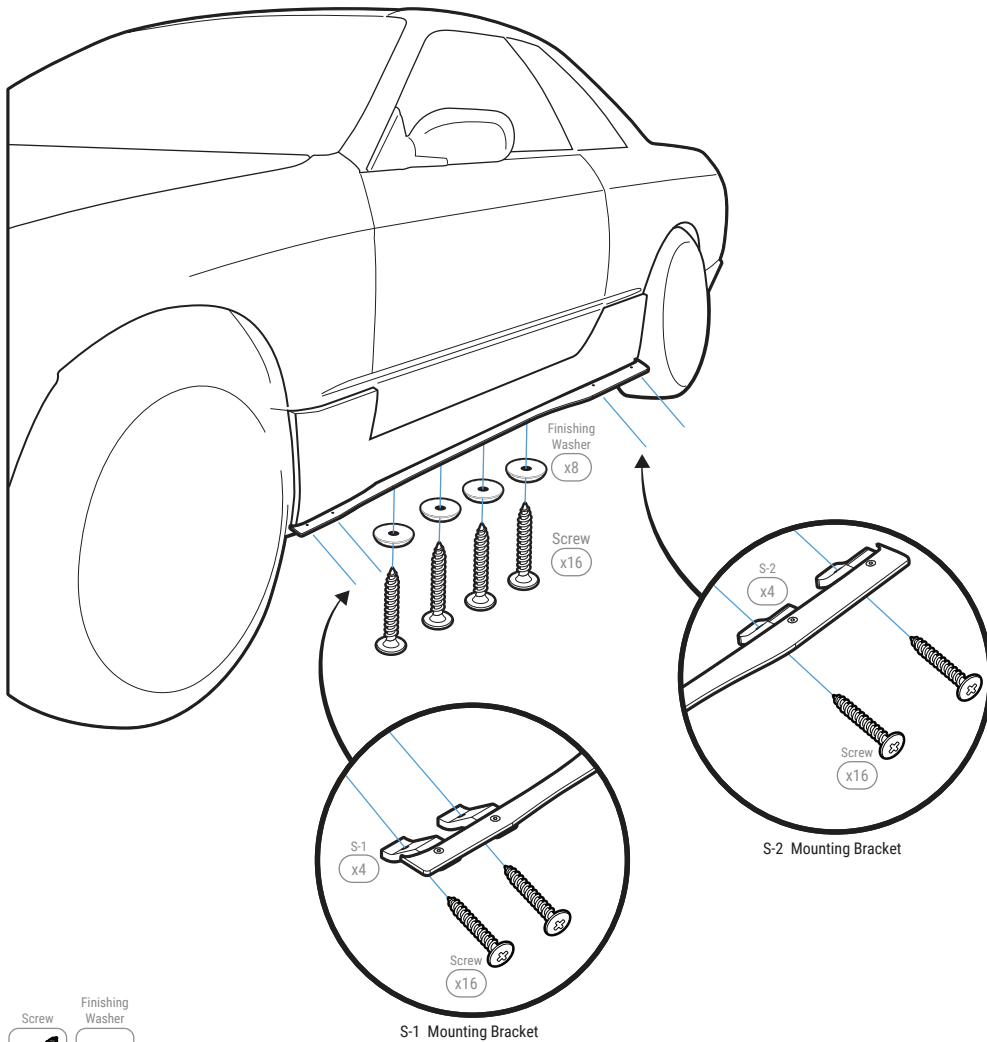


**STEP: 3** *Mount Side Splitter*

Mount the Side Splitter to the side skirt by securing Mounting Bracket S-1 and S-2 with Screw

Secure the center of the Side Splitter to the side skirt with Screw and Finishing Washer

Repeat for the passenger side

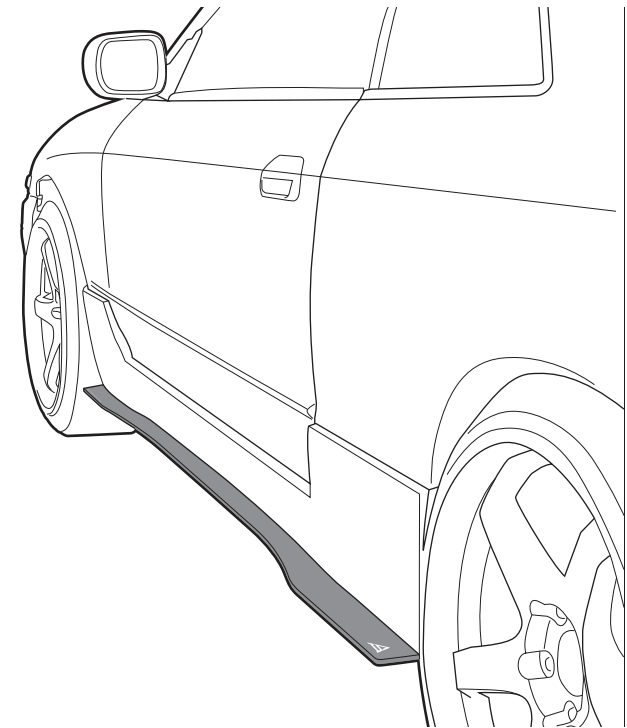


S-1 Mounting Bracket

S-2 Mounting Bracket



**INSTALLATION GUIDE**  
**1989-1994 Nissan Skyline R32**  
**ACM Side Splitter**



s-ssa-nis-012-cf-s73.3c

www.streetaero.com

info@streetaero.com