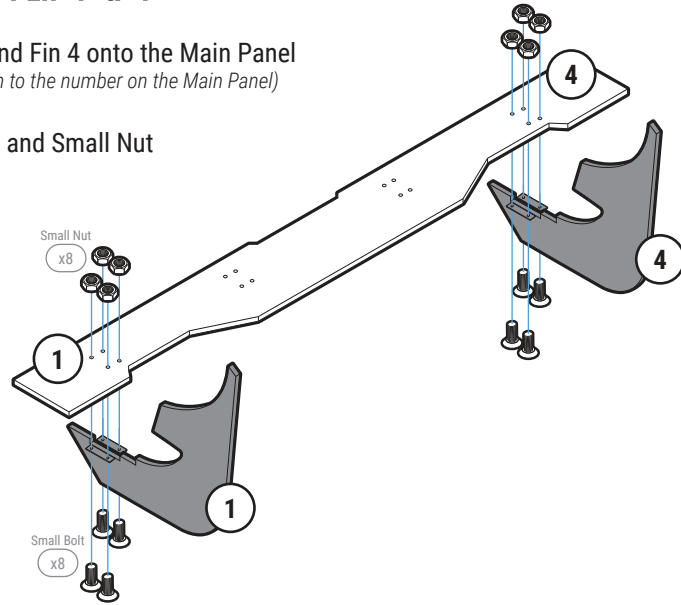


STEP: 1 Main Fin 1 & 4

Carefully place Fin 1 and Fin 4 onto the Main Panel
(Match the number on the Fin to the number on the Main Panel)

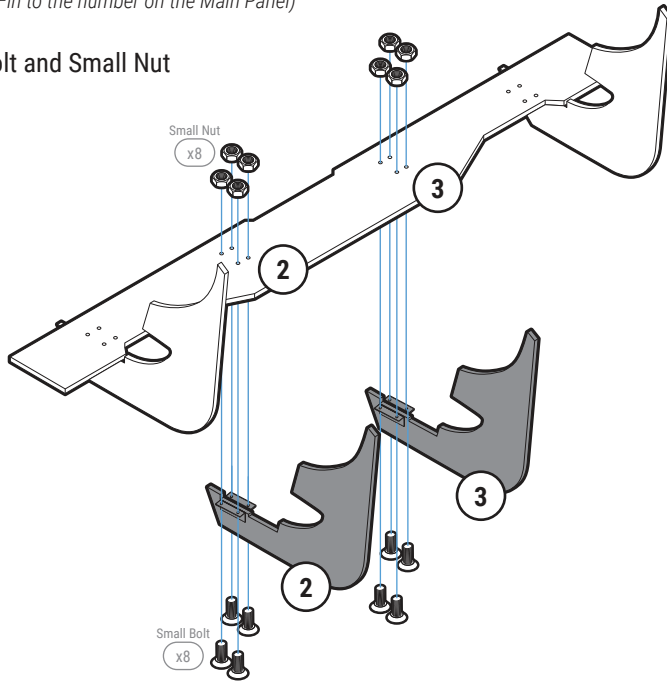
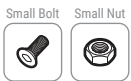
Secure with Small Bolt and Small Nut



STEP: 2 Main Fin 2 & 3

Carefully place Fin 2 and Fin 3 onto the Main Panel
(Match the number on the Fin to the number on the Main Panel)

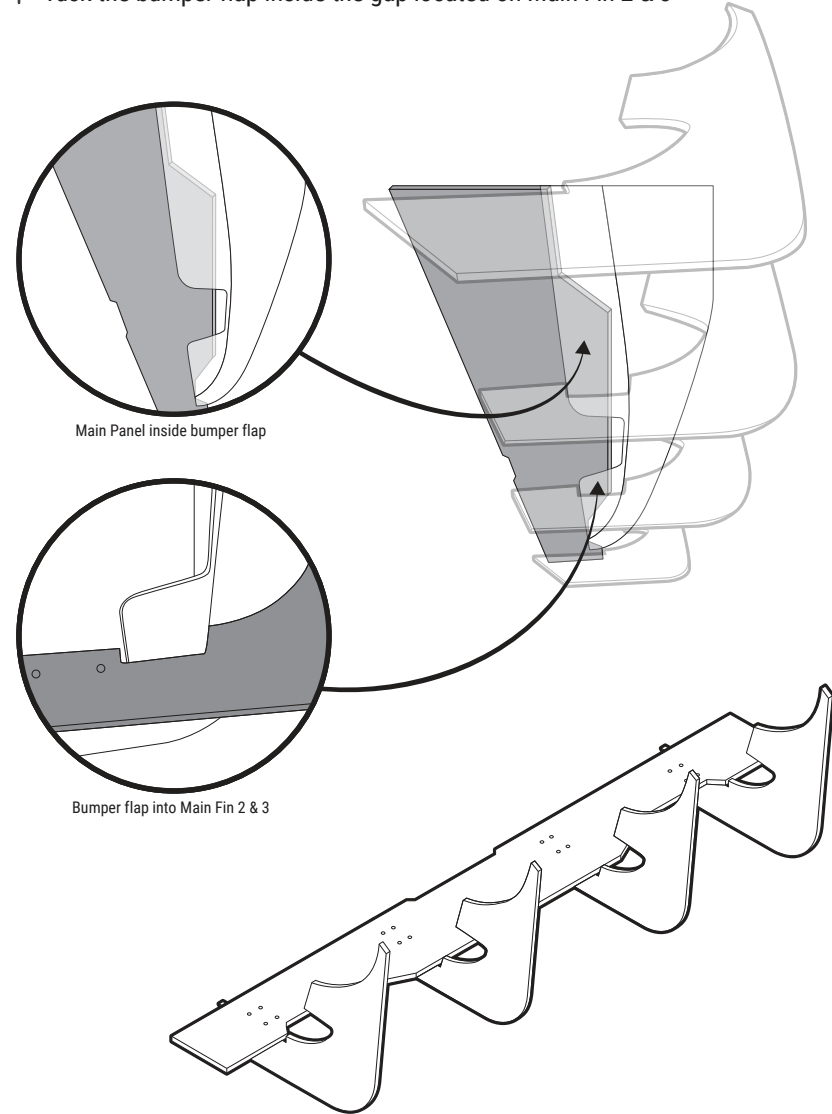
Secure with Small Bolt and Small Nut



STEP: 3 Align Rear Diffuser

Gently pull the bumper flap down to slide the assembled Main Panel inside the bumper

Tuck the bumper flap inside the gap located on Main Fin 2 & 3

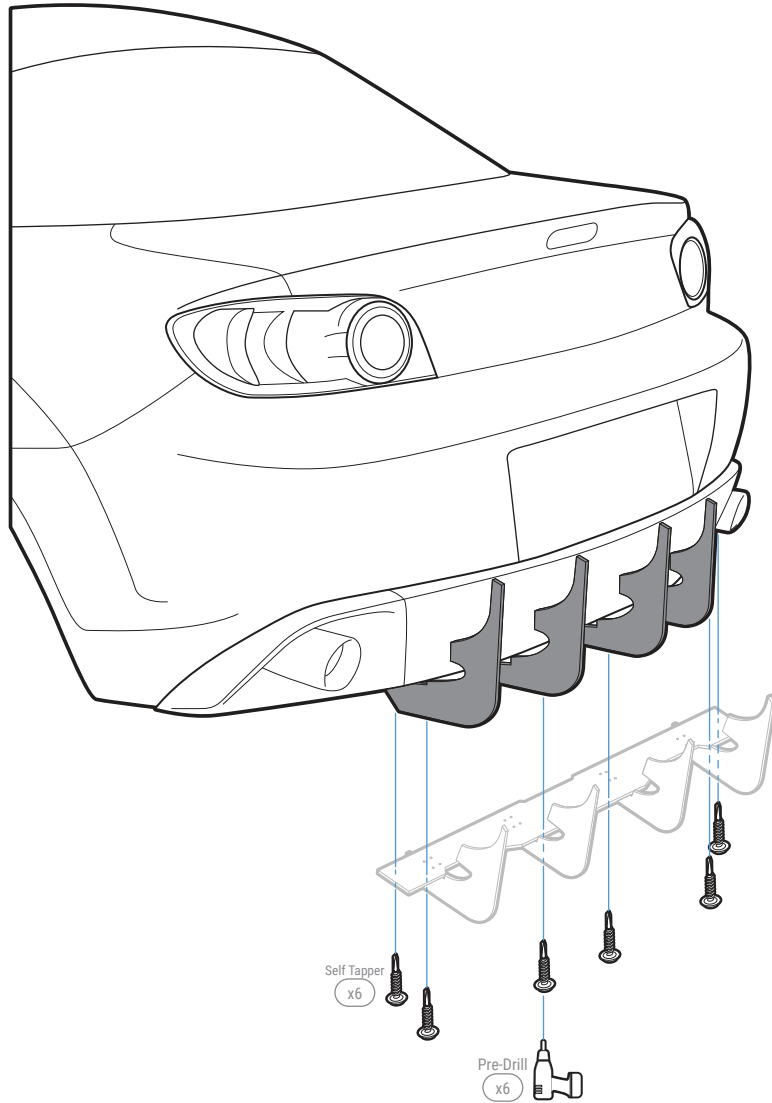


STEP: 4 *Mount Rear Diffuser*

Align and position the Rear Diffuser

Mark where the Rear Diffuser has the most contact point to the bumper/bumper flap

Mount the Rear Diffuser by drilling through the Main Panel and into the bumper with Self Tapper at marked locatons



INSTALLATION GUIDE
2003-2012 Mazda RX8
Classic Edition
ACM Rear Diffuser

