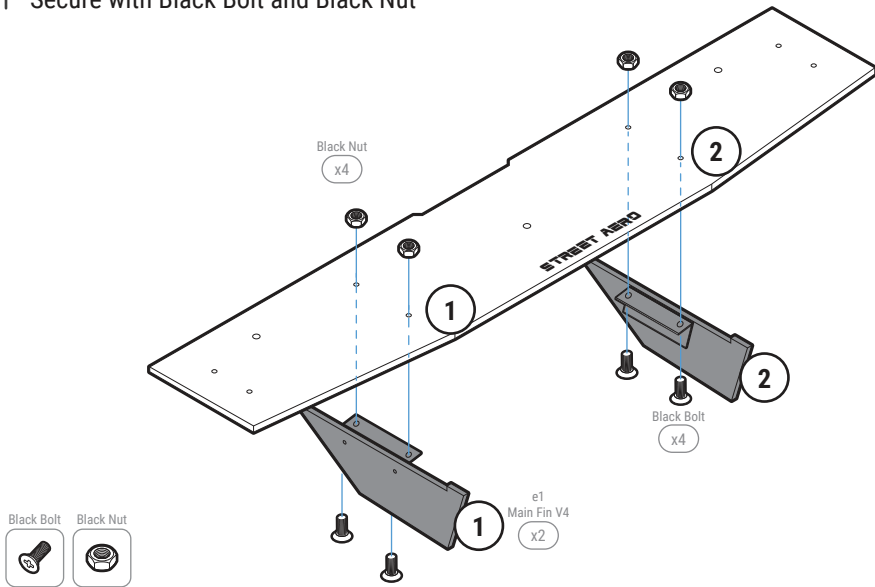


STEP: 1 Assemble Main Panel

Carefully place Fin 1 and Fin 2 onto the Main Panel
(Match the number on the Fin to the number on the Main Panel)

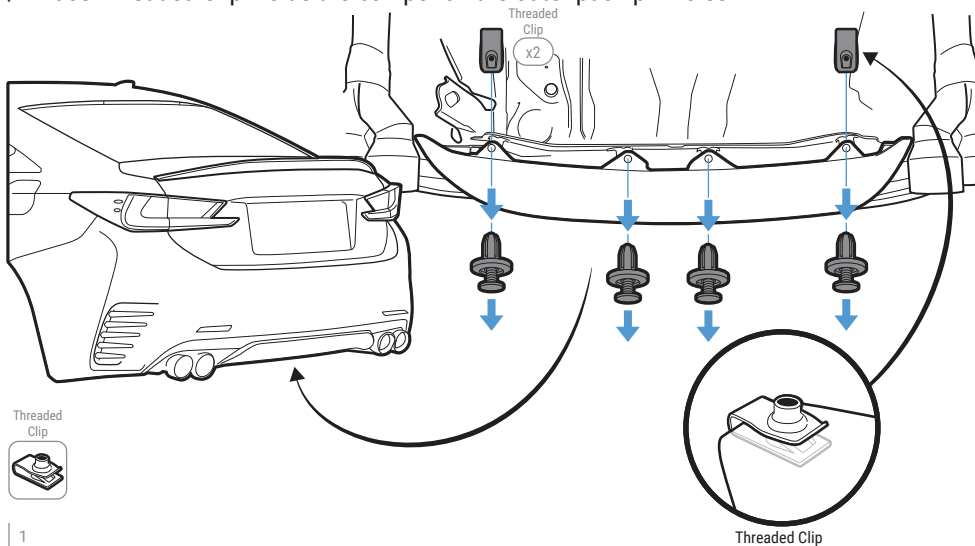
Secure with Black Bolt and Black Nut



STEP: 2 Remove OEM Push Pins

Remove the Push Pins located under the bumper near the center

Place Threaded Clip inside the bumper on the outer push pin holes



STEP: 3 Install Main Panel

Align the assembled Main Panel to the bumper by placing Mounting Bracket LS-7 and LS-9 to its mounting position

NOTE: Insert provided M6 70mm Bolt through the Main Panel and Mounting Bracket and into the Threaded Clip from **STEP: 2** to get the alignment

NOTE: **DO NOT** screw bolt into Threaded Clip you will need to remove the Main Panel to pre-drill the center mounting location

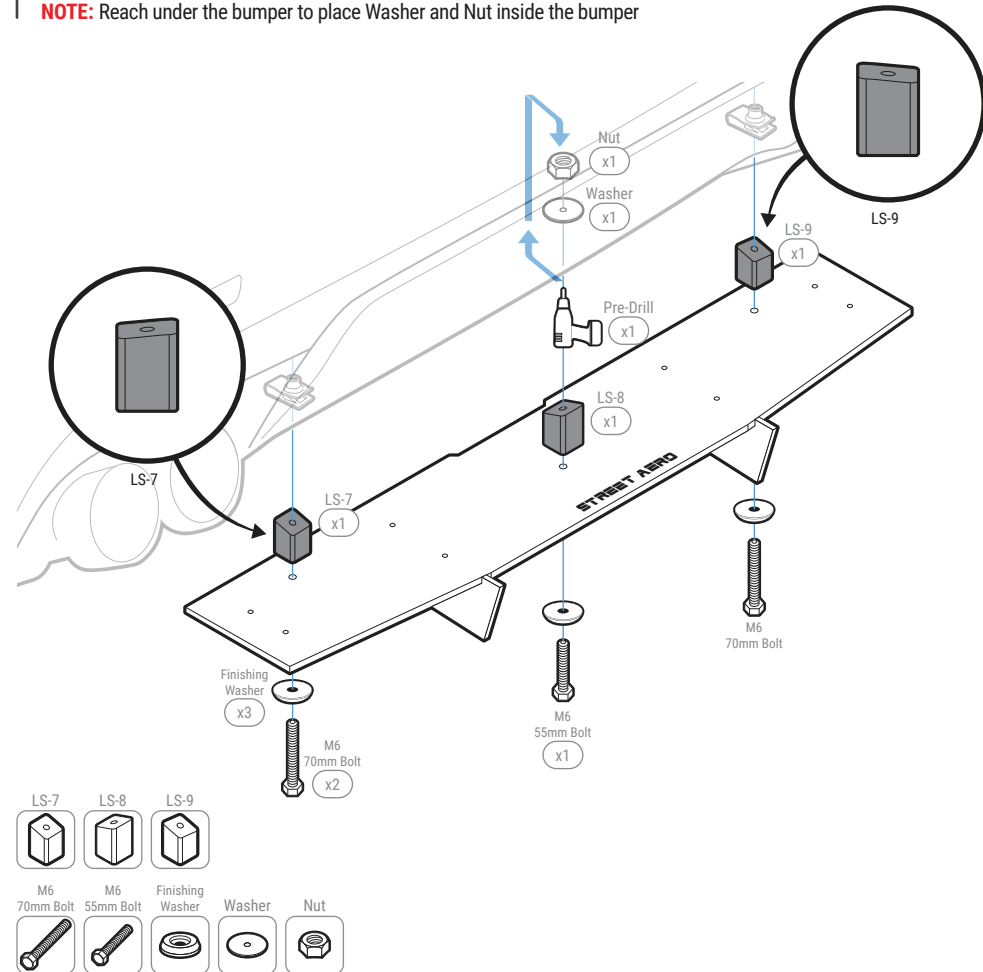
Mark and pre-drill through the bumper where Mounting Bracket LS-8 will be mounted to

NOTE: Main Panel and mounting Bracket may need to be removed before pre-drilling

Re-align and mount the Main Panel to the bumper by securing Mounting Bracket LS-7 and LS-9 with M6 70mm Bolt, Finishing Washer to the Threaded Clip

Place Mounting Bracket LS-8 back to its mounting location and secure it to the Main Panel and bumper with M6 55mm Bolt, Finishing Washer, Washer, and Nut

NOTE: Reach under the bumper to place Washer and Nut inside the bumper



STEP: 4 *Mount the Rear Diffuser*

Remove the Push Pins located under the bumper near the rear wheels

NOTE: We recommend removing the Splash Guard to get access behind the bumper

Attach and secure Mounting Bracket LS-13 to the Side Panel with M6 16mm Bolt, Finishing Washer, and Nut

NOTE: Push the Bolt all the way into the socket to prevent it from falling out

Attach the Side Panel to the Main Panel with Black Bolt and Black Nut

Align Mounting Bracket LS-11 to its OEM mounting location

NOTE: Use the M6 40mm Bolt as a guide by placing the Bolt through the Side Panel and Mounting Bracket

When the Side Panel is aligned mark and pre-drill through the bumper

NOTE: Use the hole on top of LS-13 to mark the drill location

NOTE: Side Panel and Mounting Bracket may need to be removed before drilling

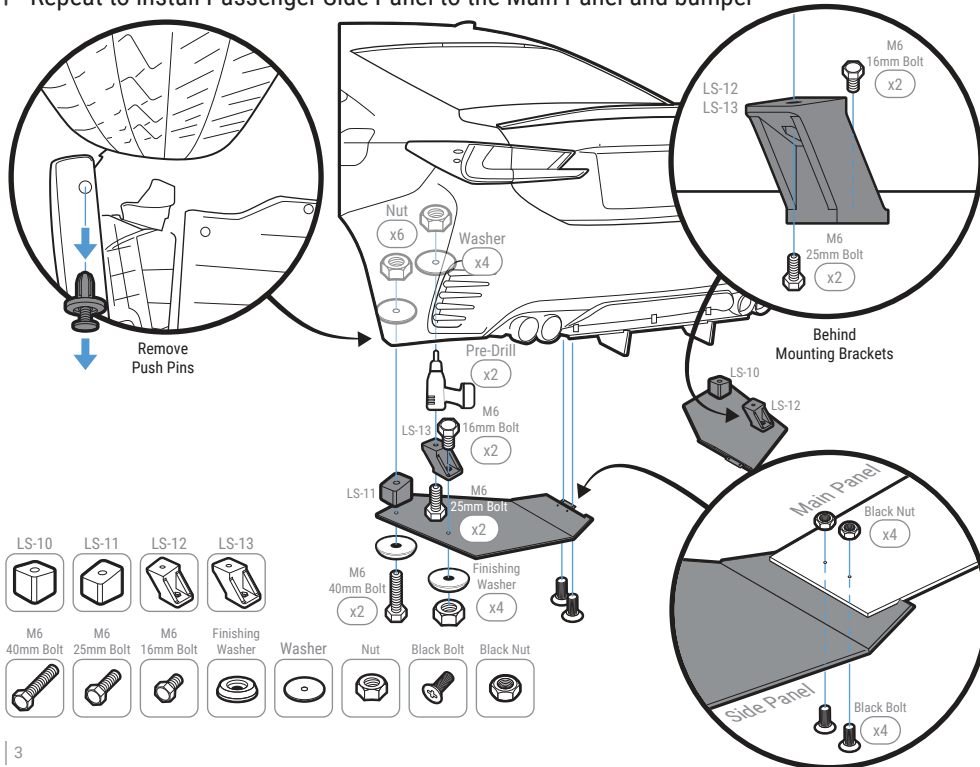
Secure Mounting Bracket LS-13 to the bumper with M6 25mm Bolt, Washer, and Nut

NOTE: Reach under or to the side of the bumper to place the Washer and Nut inside the bumper

Secure Mounting Bracket LS-11 to the OEM hole with M6 40mm Bolt, Finishing Washer, Washer, and Nut

NOTE: Reach under or to the side of the bumper to place the Washer and Nut inside the bumper

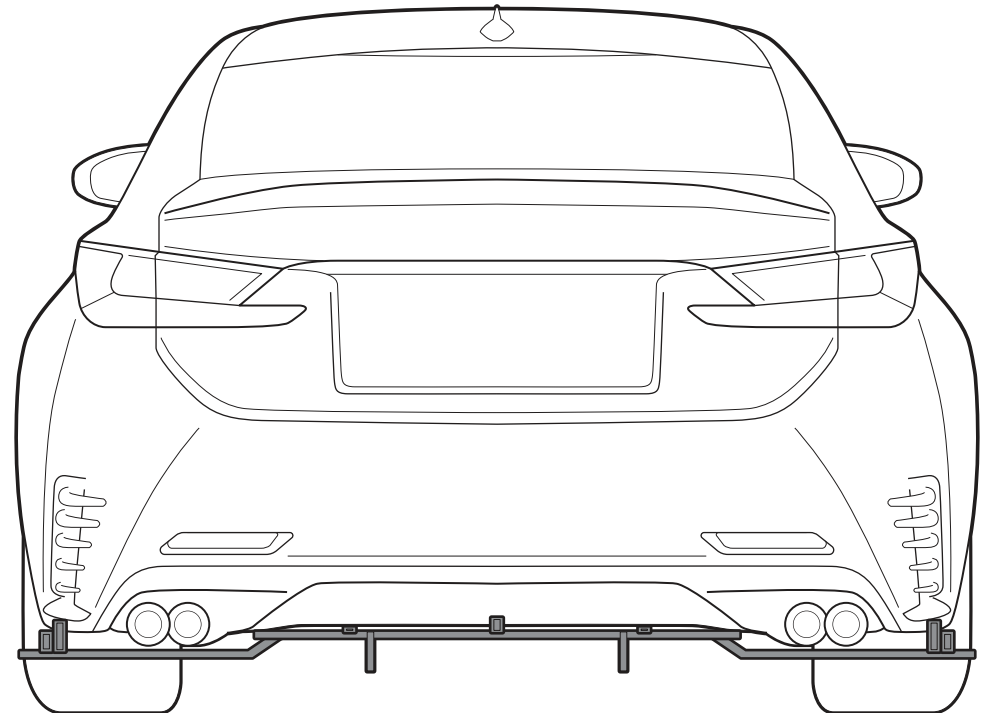
Repeat to install Passenger Side Panel to the Main Panel and bumper



INSTALLATION GUIDE

2014-2018 Lexus RC 350

ACM Rear Diffuser



s-rda-lex-02-e1

www.streetaero.com

info@streetaero.com