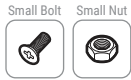
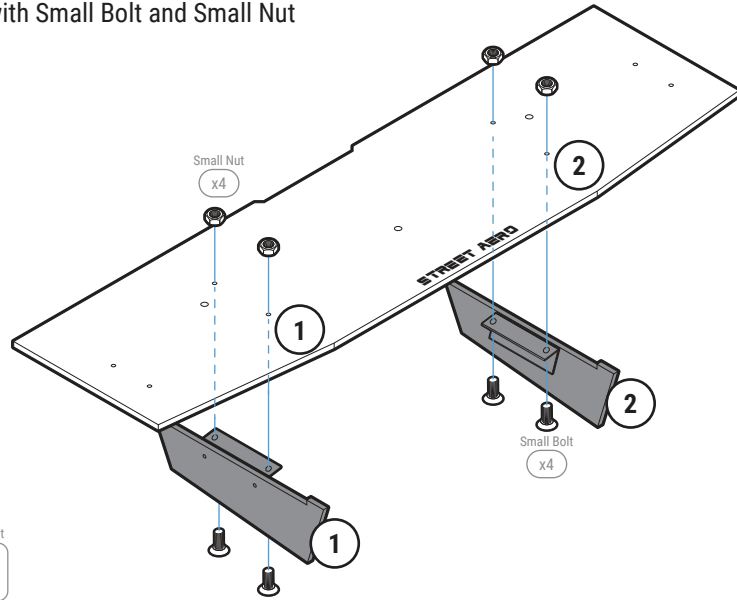


### STEP: 1 Assemble Main Panel

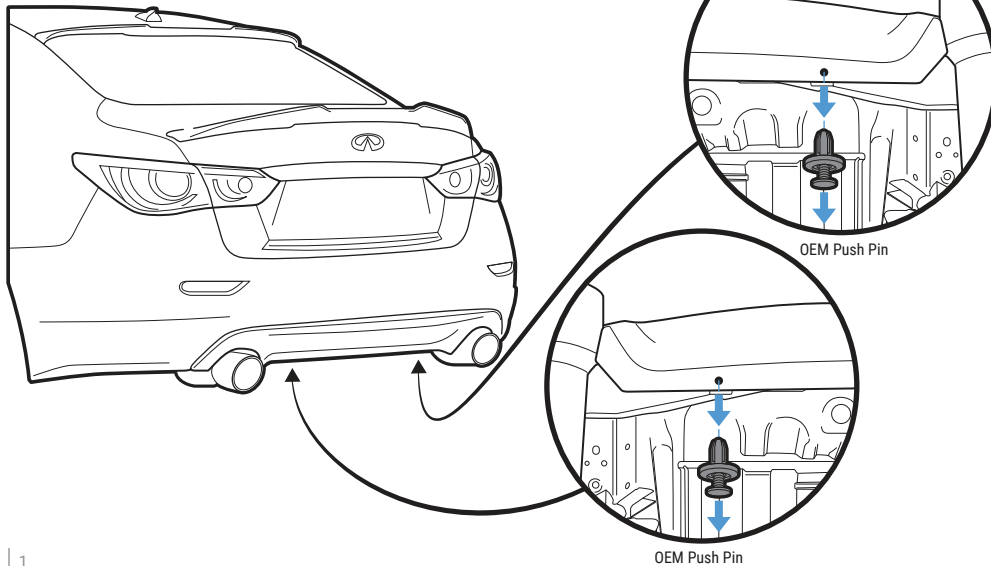
Carefully place Fin 1 and Fin 2 onto the Main Panel  
(Match the number on the Fin to the number on the Main Panel)

Secure with Small Bolt and Small Nut



### STEP: 2 Remove OEM Push Pins

Remove the Push Pins located under the bumper near the exhaust



### STEP: 3 Install Main Panel

Place Nut into Mounting Bracket II-29

**NOTE:** Reach under to place Washer and Nut inside the bumper

Use the OEM holes from **STEP: 2** to align the Main Panel and Mounting Bracket II-27 to the bumper

When the Main Panel is aligned place Mounting Bracket II-28 to its mounting location then mark and pre-drill where it will be mounted to the bumper

**NOTE:** Use the hole on top of II-28 to mark the drill location

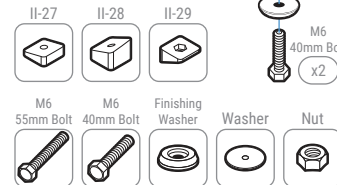
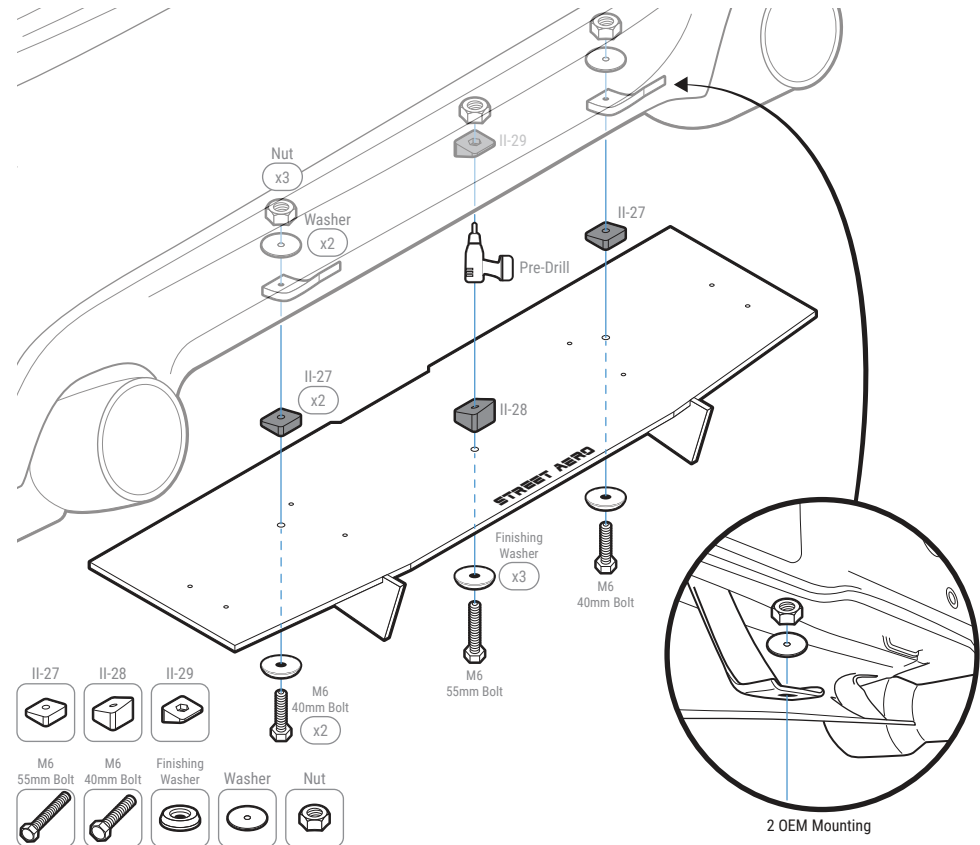
**NOTE:** Mounting Bracket may need to be removed before pre-drilling

Re-align and secure Mounting Bracket II-27 to the Main Panel and bumper with M6 40mm Bolt, Finishing Washer, Washer and Nut

**NOTE:** Reach under the bumper to place the Washer and Nut inside the bumper on top of the OEM hole from **STEP: 2**

Place Mounting Bracket II-28 back to its mounting location and secure it to the Main Panel and bumper with M6 55mm Bolt, Finishing Washer, Washer, Mounting Bracket II-29, and Nut

**NOTE:** Reach under the bumper to place Part II-29 and Nut inside the bumper



**IMPORTANT: DO NOT** over tighten or use power tools to mount the Mounting Brackets

**STEP: 4** Mount the Rear Diffuser

Remove the Push Pins located under the bumper near the rear wheels

**NOTE:** We recommend removing the Splash Guard to get access behind the bumper

Attach and secure Mounting Bracket II-32 to the Side Panel with M6 16mm Bolt, Finishing Washer, and Nut

**NOTE:** Push the Bolt all the way into the socket to prevent it from falling out

Attach the Side Panel to the Main Panel with Small Bolt and Small Nut

Align Mounting Bracket II-31 to its OEM mounting location

**NOTE:** Use the M6 40mm Bolt as a guide

Align the Side Panel and rotate Mounting Bracket II-32 so it sits flushed under the bumper then mark and pre-drill into the bumper

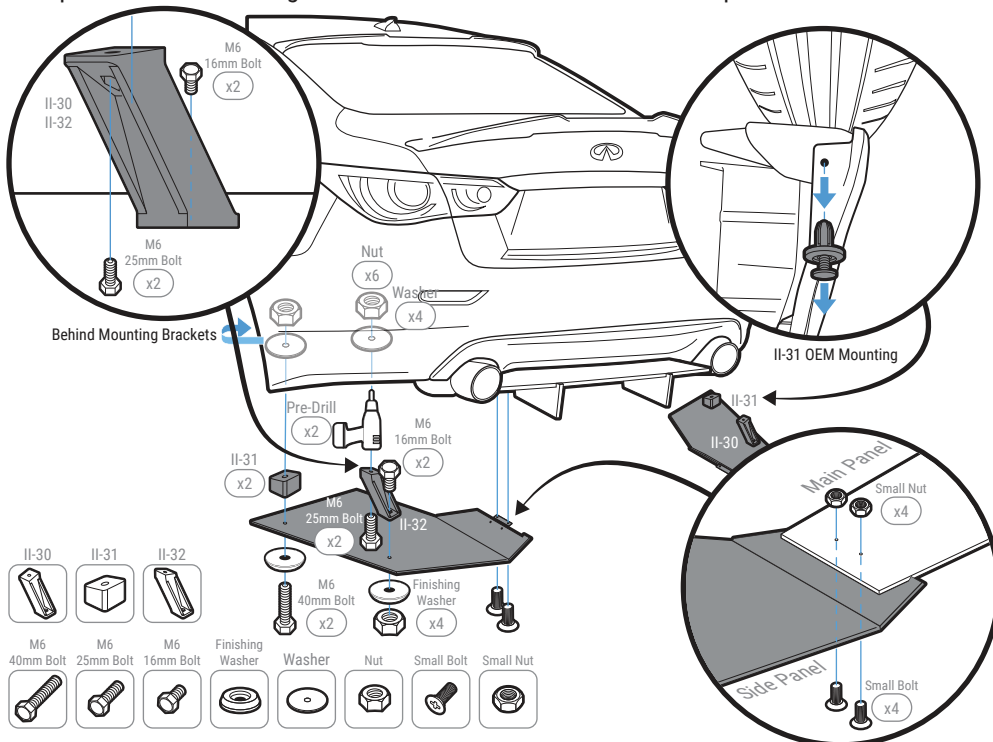
**NOTE:** Use the hole on top of II-32 and II-30 to mark the drill location

**NOTE:** Side Panel and Mounting Bracket may need to be removed before drilling

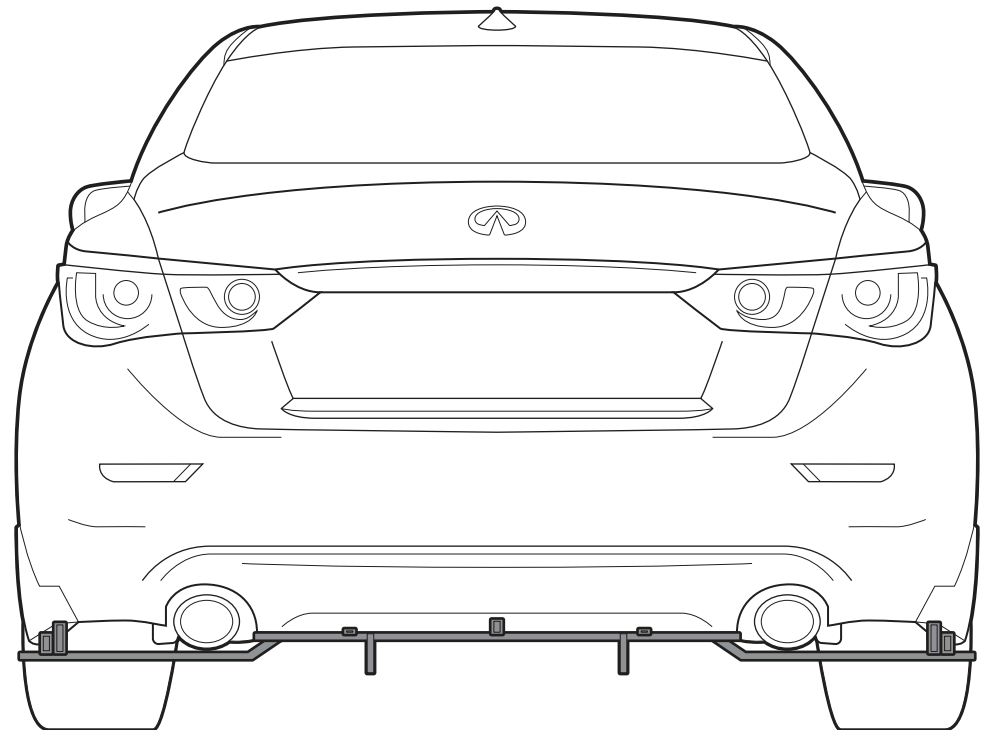
Secure Mounting Bracket II-31 to the OEM mounting location with M6 40mm Bolt, Finishing Washer, Washer, and Nut. Secure Mounting Bracket II-32 to the bumper with M6 25mm Bolt, Washer, and Nut

**NOTE:** Reach under or to the side of the bumper to place the Washer and Nut inside the bumper

Repeat to install Passenger Side Panel to the Main Panel and bumper



**INSTALLATION GUIDE**  
**2014-2017 Infiniti Q50**  
**ACM Rear Diffuser**



s-rda-inf-08-e1

www.streetaero.com

info@streetaero.com

