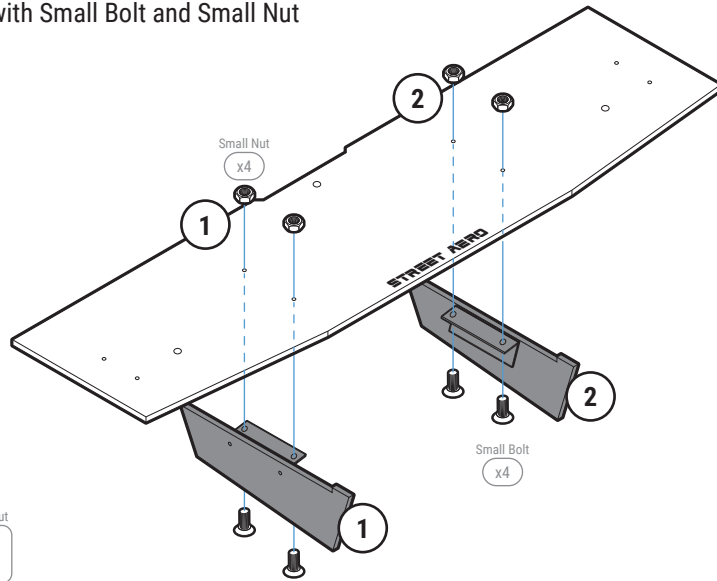


STEP: 1 Assemble Main Panel

Carefully place Fin 1 and Fin 2 onto the Main Panel
(Match the number on the Fin to the number on the Main Panel)

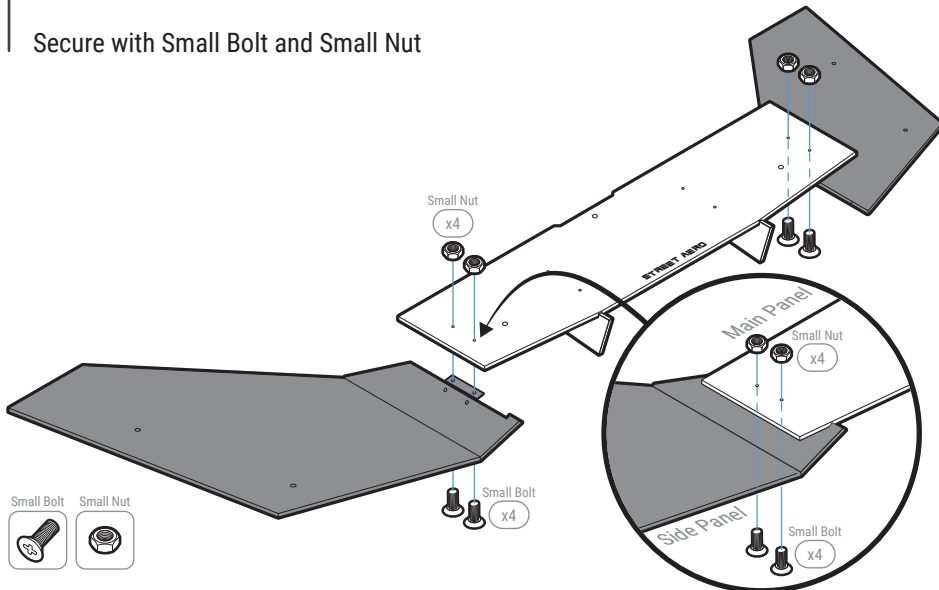
Secure with Small Bolt and Small Nut



STEP: 2 Assemble Side Panel

Attach Driver Side Panel and Passenger Side Panel to the assembled Main Panel

Secure with Small Bolt and Small Nut



STEP: 3 Install Mounting Bracket

Attach Mounting Bracket II-3, II-4, II-5, and II-6 to the Driver Side Panel and Passenger Side Panel secure with M6 16mm Bolt, Finishing Washer, and Nut

Align the Rear Diffuser to the bumper using the edge of the bumper on the driver side and passenger side

NOTE: Make sure the Rear Diffuser sits straight and horizontal against the bumper

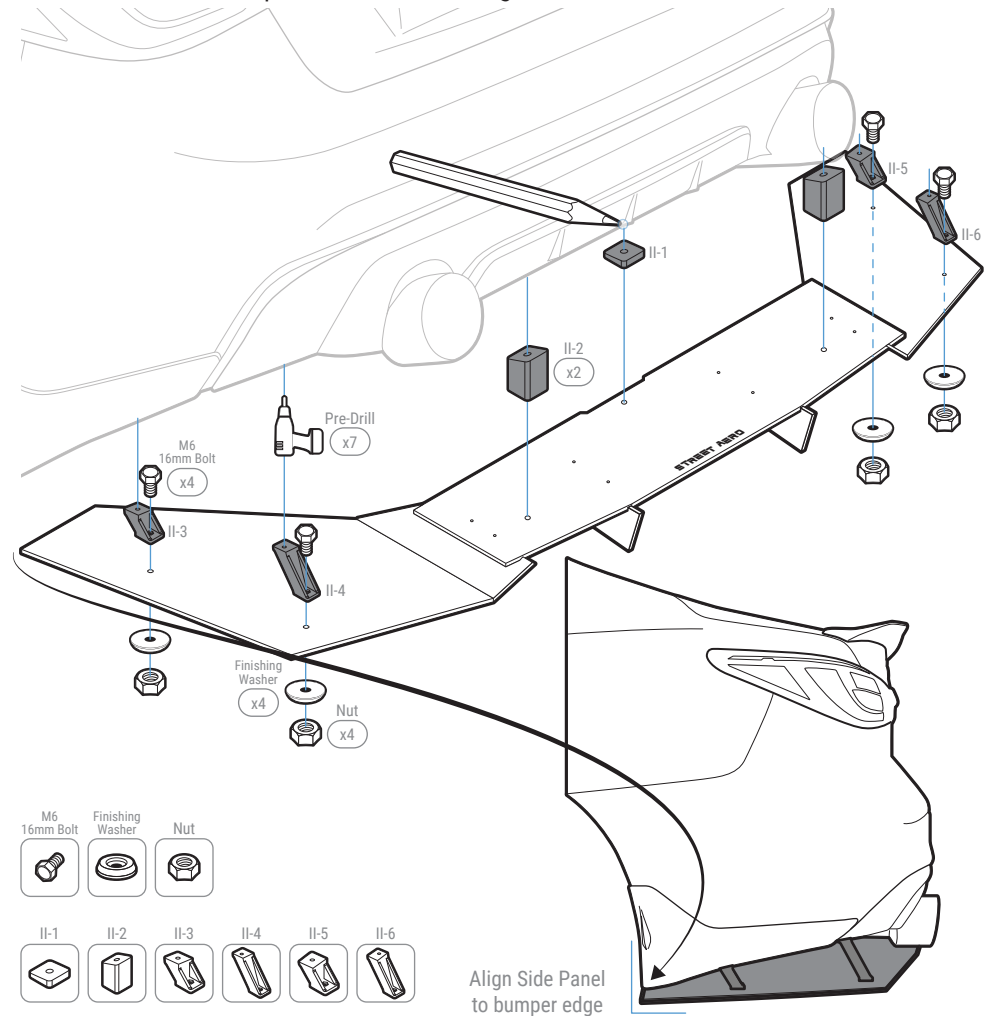
Place Mounting Bracket II-1 and II-2 in its correct location

NOTE: Match the hole on the Mounting Bracket to the Rear Diffuser

Mark where the holes are located on top of the Mounting Brackets to the bumper

NOTE: This is where you will mount the Rear Diffuser to the bumper rotate the Mounting Brackets as needed

Pre-drill into the bumper where the Mounting Brackets would installed



Align Side Panel to bumper edge

IMPORTANT: DO NOT over tighten or use power tools to mount the Mounting Brackets

STEP: 4 Mount the Rear Diffuser

Mount the Rear Diffuser to the bumper by securing M6 25mm Bolt behind Mounting Brackets II-3, II-4, II-5, and II-6

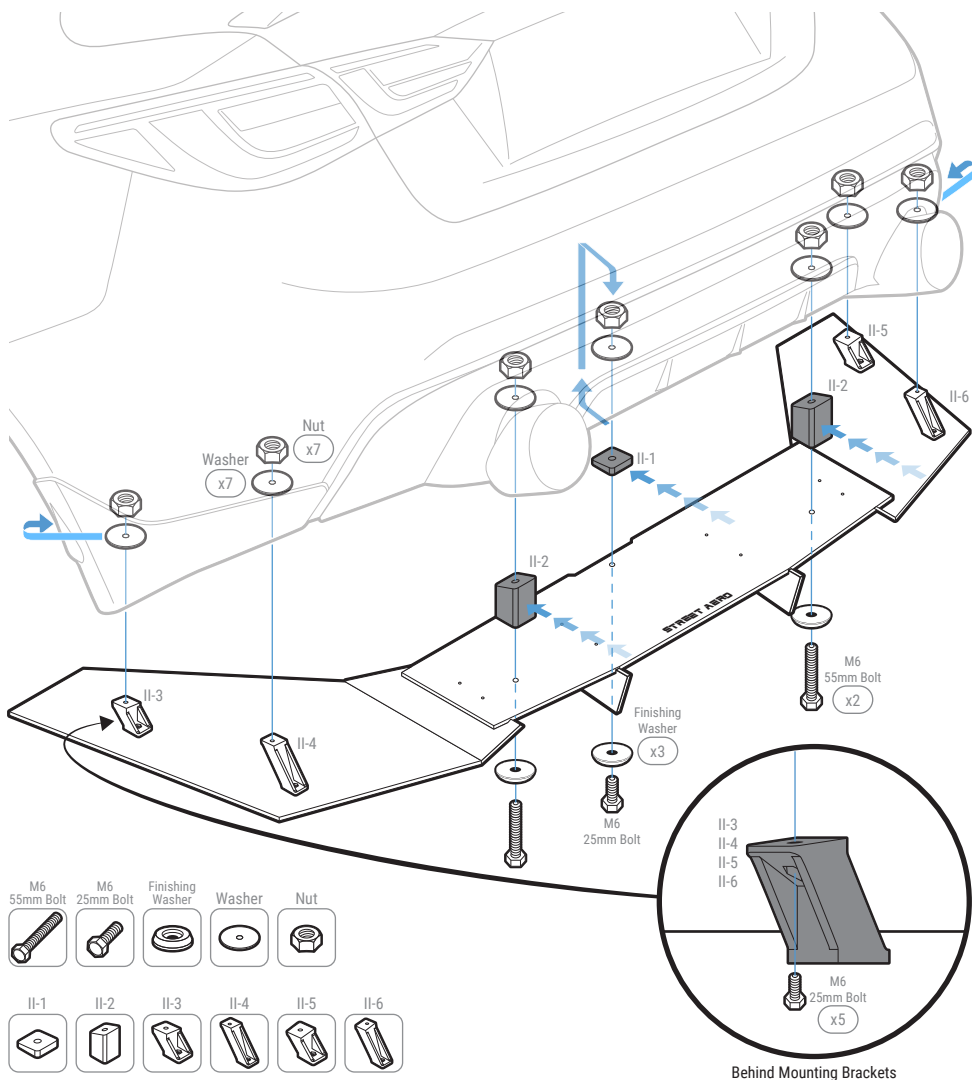
NOTE: Reach under or to the side of the bumper to place the Washer and Nut inside the bumper

Place Mounting Bracket II-1 to its correct mounting location and secure with M6 25mm Bolt, Finishing Washer, Washer, and Nut

NOTE: Reach under or to the side of the bumper to place the Washer and Nut inside the bumper

Place both Mounting Bracket II-2 to its correct mounting location and secure with M6 55mm Bolt, Finishing Washer, Washer, and Nut

NOTE: Reach under or to the side of the bumper to place the Washer and Nut inside the bumper

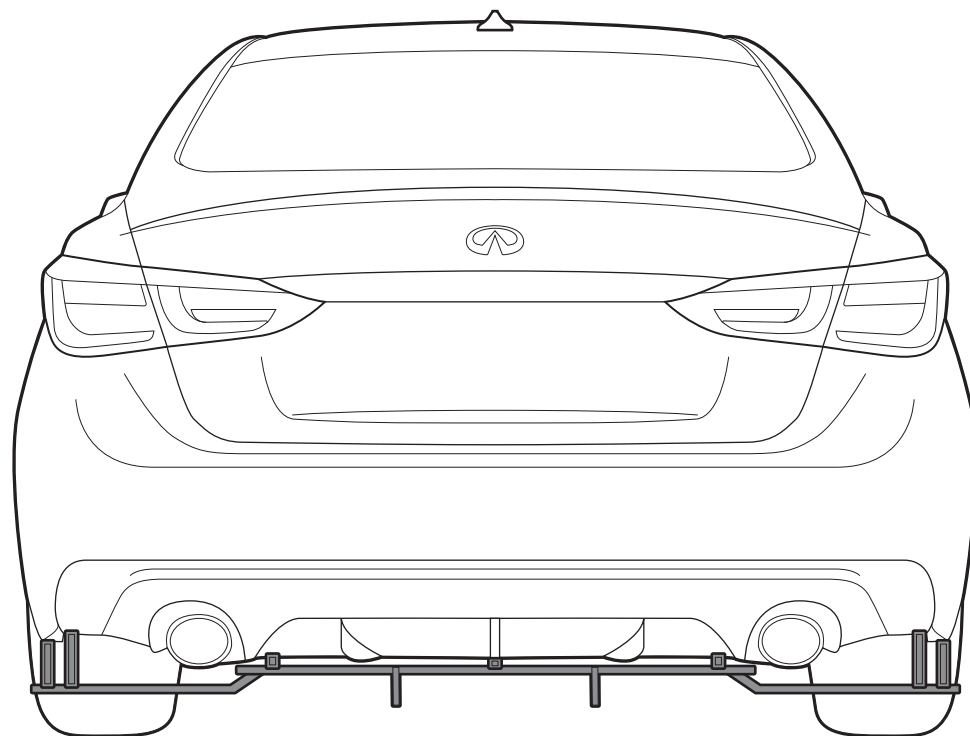


Behind Mounting Brackets

INSTALLATION GUIDE

2018-2022 Infiniti Q50

ACM Rear Diffuser



s-rda-inf-07-e1

www.streetaero.com

info@streetaero.com

