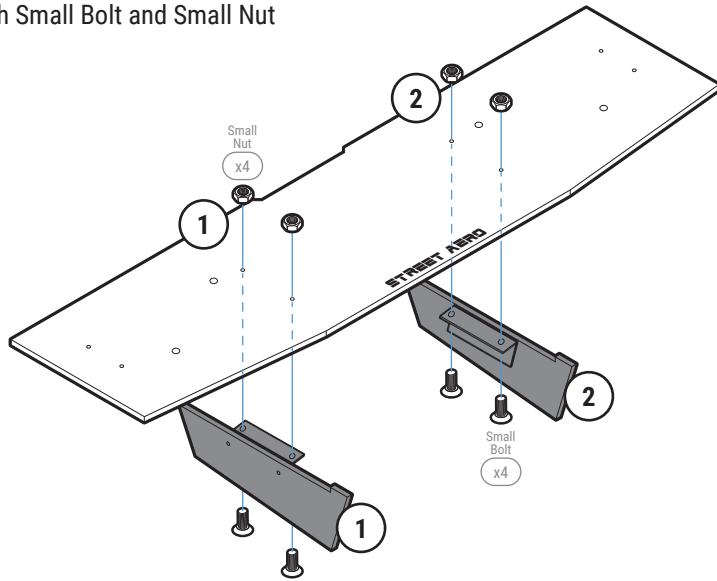


STEP: 1 Assemble Main Panel

Carefully place Fin 1 and Fin 2 onto the Main Panel
(Match the number on the Fin to the number on the Main Panel)

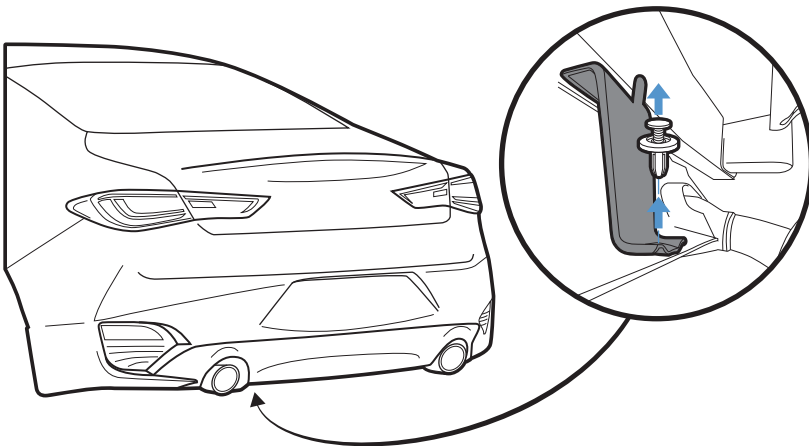
Secure with Small Bolt and Small Nut



STEP: 2 Remove OEM Push Pin

Remove the two OEM Push Pins located under the bumper near the exhaust

Mark where the OEM Push Pins are
(This is where you will mount the Main Panel)



STEP: 3 Mount Main Panel

Mount the assembled Main Panel to the bumper by securing Mounting Bracket II-12 to the OEM mounting hole on **STEP: 2** with provided M6 40mm Bolt, Finishing Washer, Washer, and Nut

NOTE: Reach under or to the side of the bumper to place the Washer and Nut inside the bumper

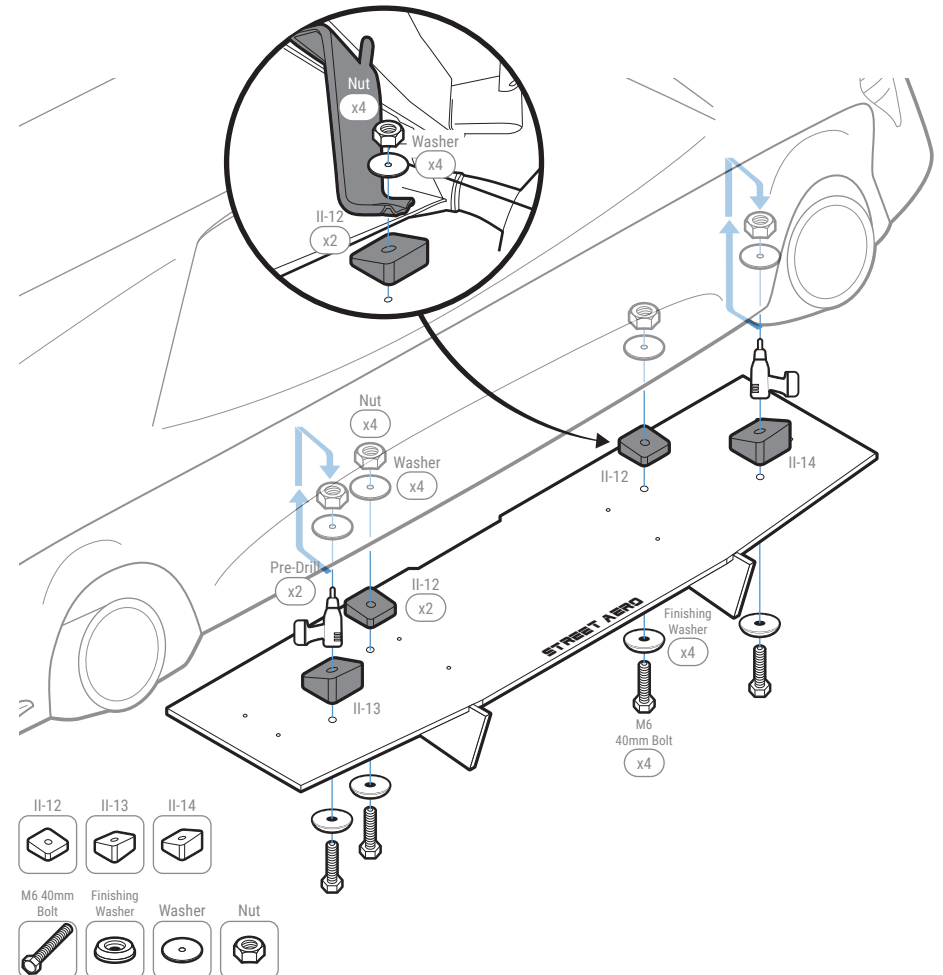
Align Mounting Bracket II-13 and II-14 to its correct spot then mark and pre-drill into the bumper

NOTE: Use the hole on top of II-13 and II-14 to mark the drill location

NOTE: Main Panel may need to be removed before pre-drilling

Mount the Assembled Main Panel to the bumper by securing Mounting Bracket II-13 and II-14 with M6 40mm Bolt, Finishing Washer, Washer, and Nut

NOTE: Reach under or to the side of the bumper to place the Washer and Nut inside the bumper



IMPORTANT: DO NOT over tighten or use power tools to mount the Mounting Brackets

STEP: 4 Mount the Rear Diffuser

Attach the Side Panel to the Main Panel with Small Bolt and Small Nut

NOTE: DO NOT tighten Black Bolt you will need to remove the Side Panel to pre-drill into the bumper

Place Mounting Bracket II-15 and II-16 to its correct mounting location

Mark and pre-drill into the bumper using the hole on top of the Mounting Bracket

NOTE: Side Panel may need to be removed before drilling

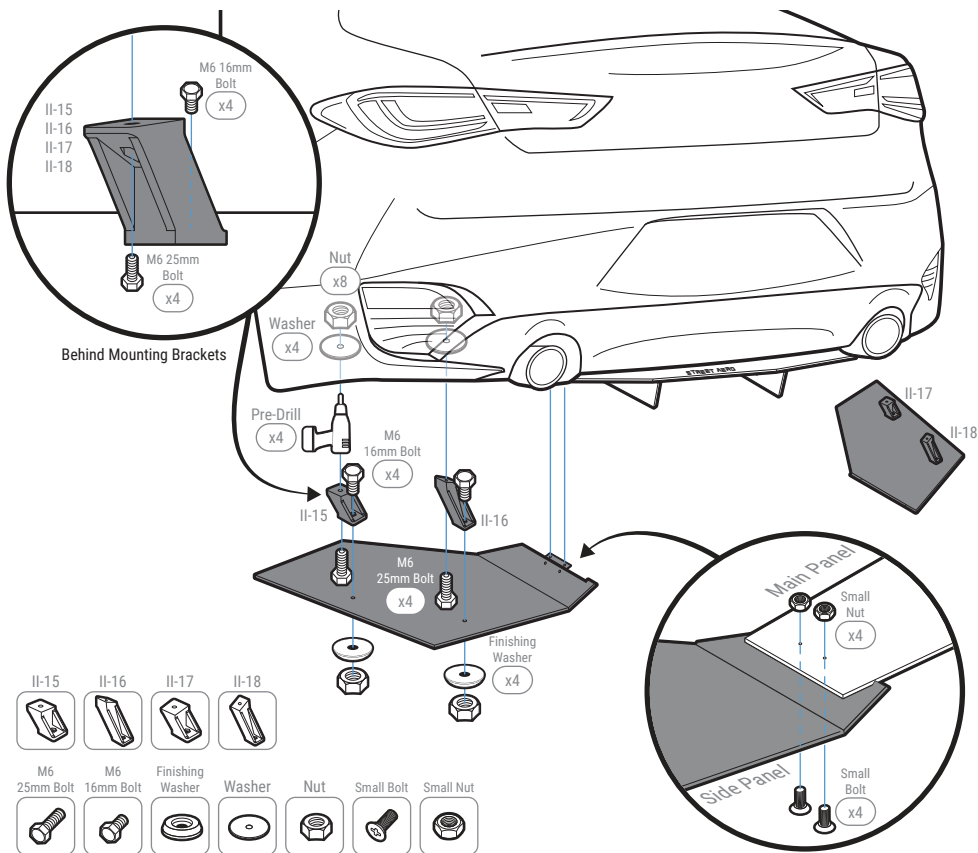
Attach Mounting Bracket II-15 and II-16 to the bumper and secure with M6 25mm Bolt, Washer, and Nut

NOTE: Reach under or to the side of the bumper to place the Washer and Nut inside the bumper

Re-attach the Side Panel to the Main Panel with Small Bolt and Small Nut

Mount the Side Panel to the bumper by securing Mounting Bracket II-15 and II-16 to the Side Panel with M6 16mm Bolt, Finishing Washer, and Nut

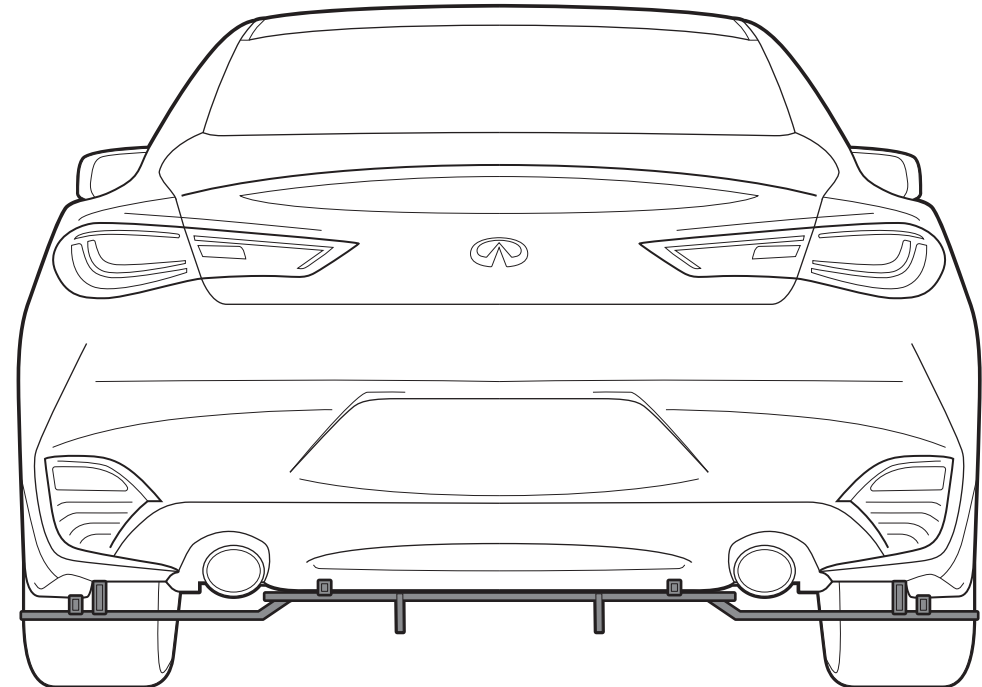
Repeat to install Passenger Side Panel to the Main Panel and bumper



INSTALLATION GUIDE

2017-2022 Infiniti Q60

ACM Rear Diffuser



s-rda-inf-06-e1

www.streetaero.com

