

STEP: 1 Position Jack Stand

Position the jack stand near the back and front of the side skirt

Position the Side Splitter to the side skirt

(Street Aero Logo towards the rear bumper)

(Side Splitter should reach from one end to the other)

NOTE: Remove Mud Guards/Splash Guards if needed

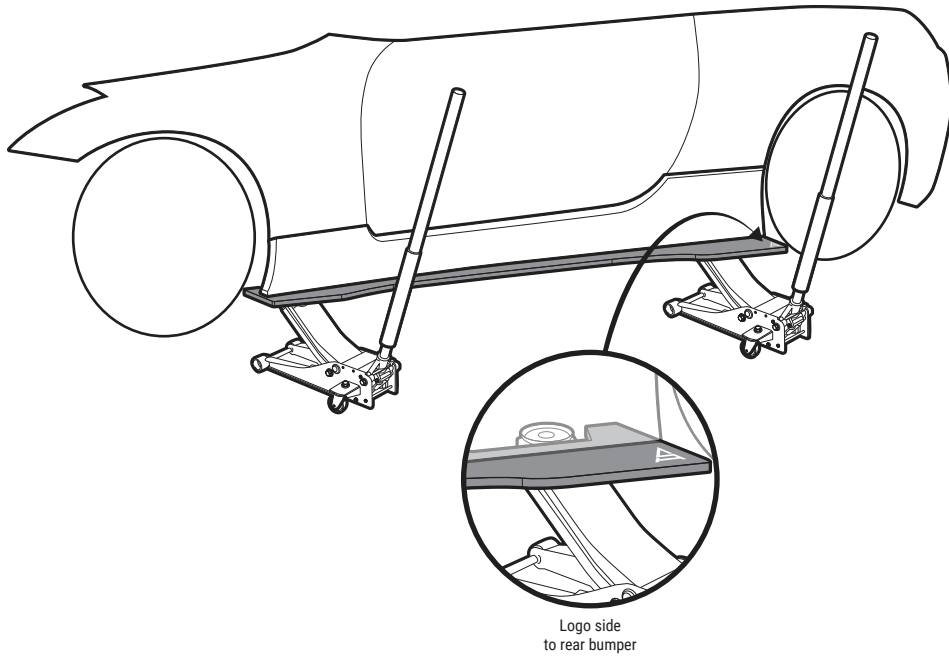


DIAGRAM Estimated Spacing

Use Diagram chart below for the recommended spacing of the screws/bolts

NOTE: Spacing may differ based on your side skirt

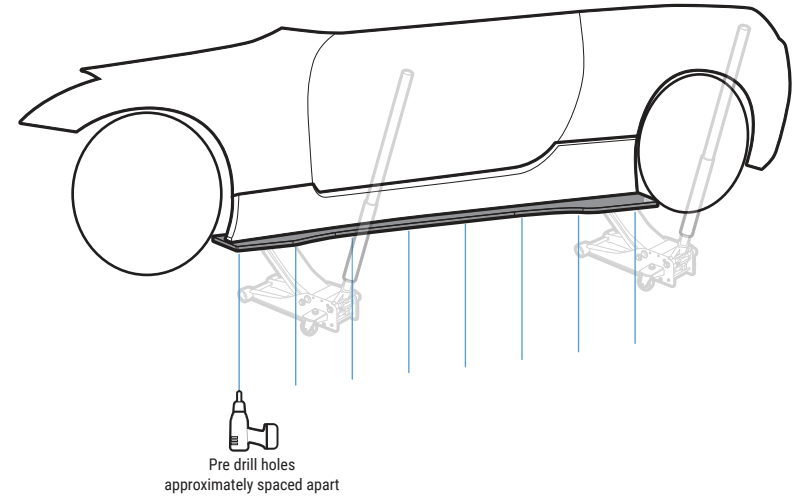
Side Splitter Size	Estimated Spacing
60-70 inches	8 inches
71-75 inches	8.5 inches
76-80 inches	9.25 inches
81-87 inches	9.8 inches

STEP: 2 Pre-Drill

Align the Side Splitter to a desired location

Pre-drill the side skirt and Side Splitter with **3/32"** or smaller bit size

NOTE: Keep the Side Splitter as leveled as possible while drilling



STEP: 3 Mount Side Splitter

Align Mounting Bracket SS.3 on top of the Side Splitter where the drilled holes are

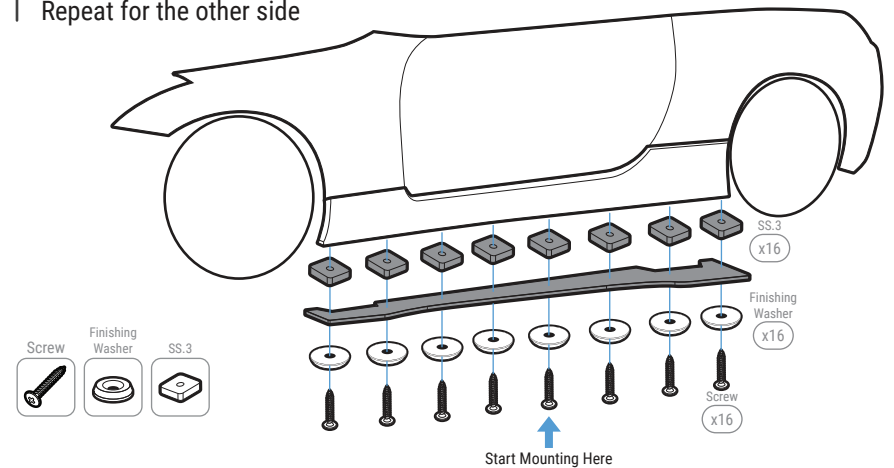
Secure the Side Splitter to the side skirt with provided Finishing Washer and Screw/Bolt

NOTE: Insert the Screw/Bolt through the Finishing Washer, Side Splitter, and Mounting Bracket SS.3

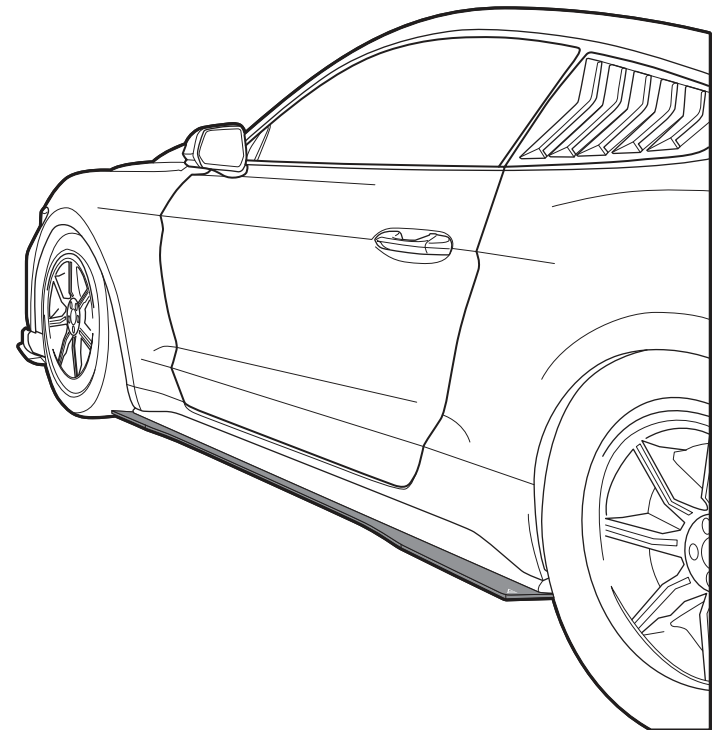
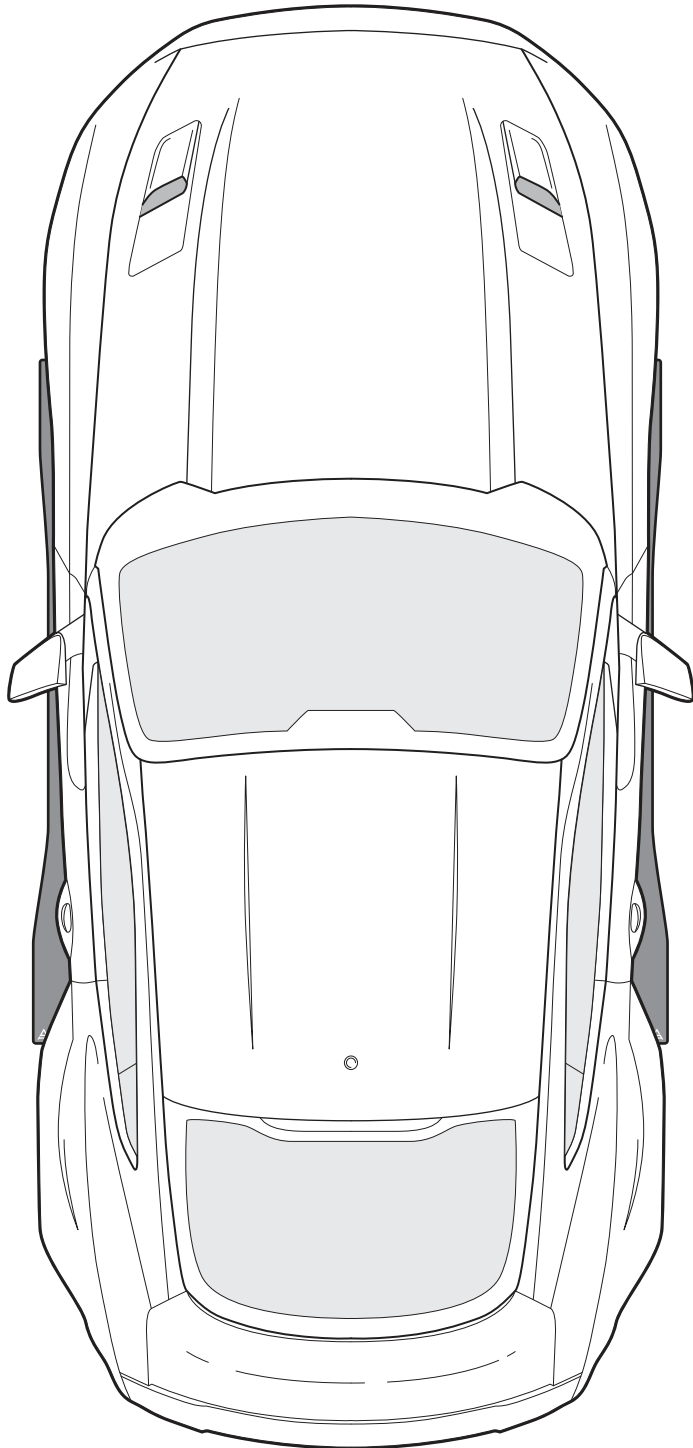
NOTE: Align Mounting Bracket SS.3 before Screwing into the Side Skirt

Use extra hardware if needed

Repeat for the other side



INSTALLATION GUIDE
2008-2015 Infiniti G37 Coup
ACM Side Splitter



s-ssa-inf-010-cf-s82.5-s

s-ssa-inf-010-sf-s82.5-s