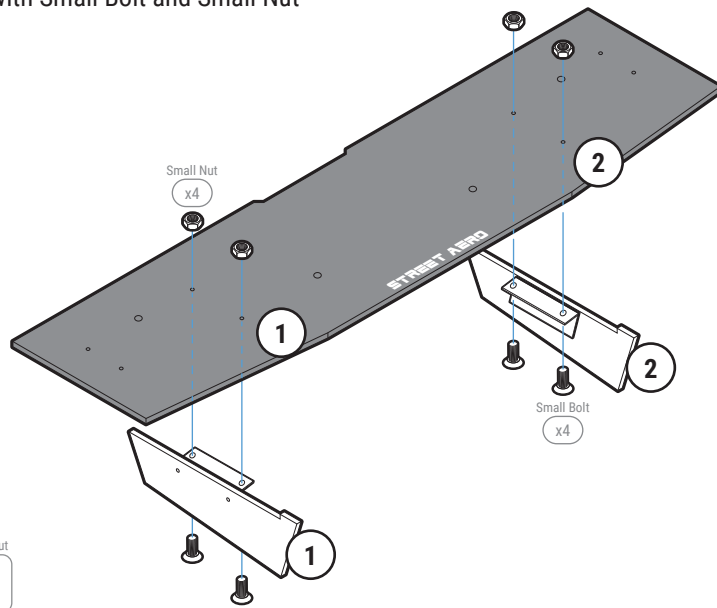


STEP: 1 Assemble Rear Diffuser

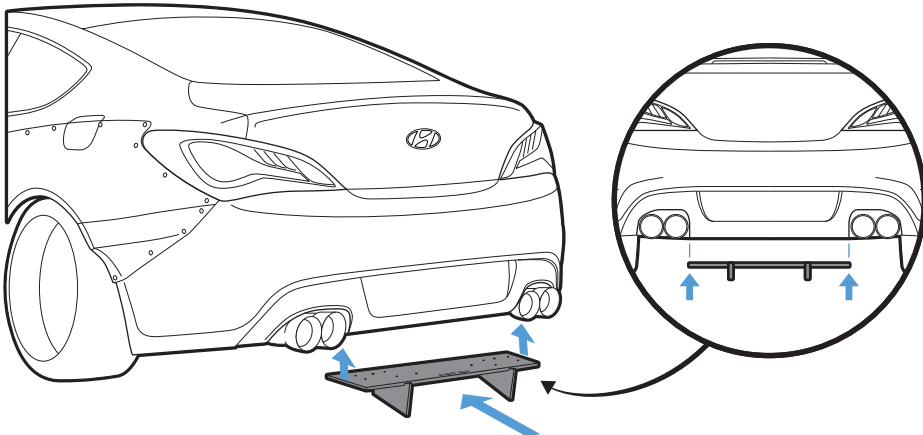
Carefully place Fin 1 and Fin 2 onto the Main Panel
(Match the number on the Fin to the number on the Main Panel)

Secure with Small Bolt and Small Nut



STEP: 2 Align Main Panel

Align the Main Panel to the rear bumper
NOTE: Main Panel should be in the center of your exhaust cutout



STEP: 3 Install Mounting Bracket

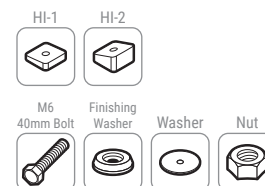
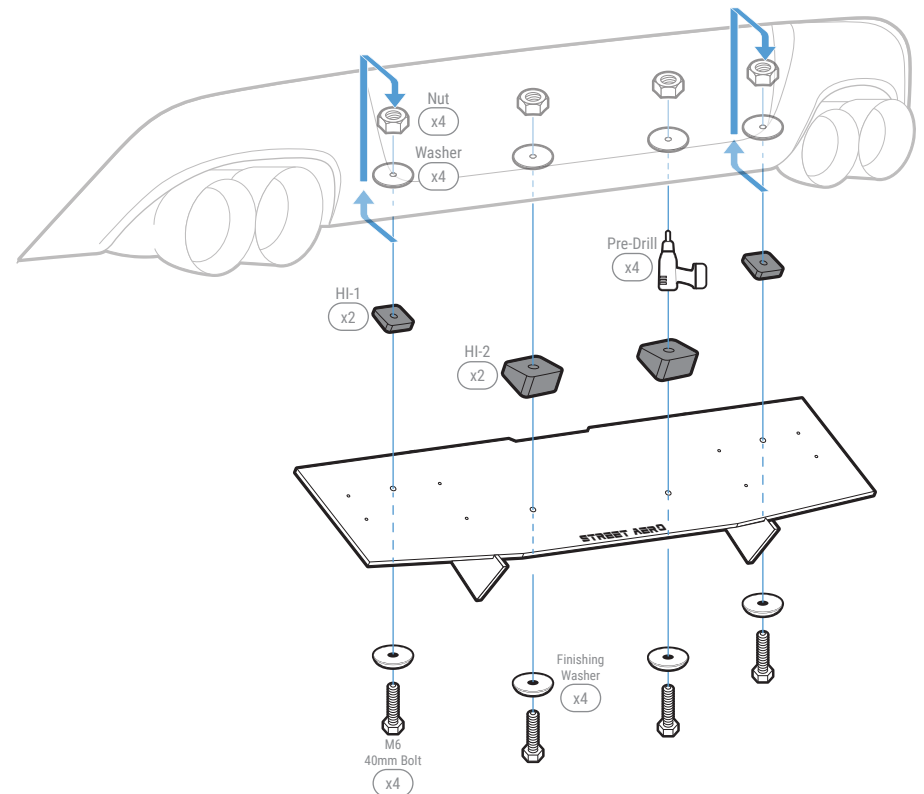
Position Mounting Bracket HI-1 and HI-2 to the Main Panel shown below

Mark and Pre-drill into the bumper by using the hole on Mounting Bracket HI-1 and HI-2

Mount the Main Panel to the bumper by securing both Mounting Bracket HI-1 with M6 40mm Bolt, Finishing Washer, Washer, and Nut

NOTE: Reach behind the bumper to secure the Washer and Nut to Mounting Bracket HI-1

Finish mounting the Main Panel by securing Mounting Bracket HI-2 with M6 40mm Bolt, Finishing Washer, Washer and Nut



IMPORTANT: DO NOT over tighten or use power tools to mount the Mounting Brackets

STEP: 4 Mount the Rear Diffuser

Attach the Side Panel to the Main Panel with Small Bolt and Small Nut

NOTE: Do Not tighten bolts on the Side Panel to the Main Panel
(you will need to remove the Side Panel to pre-drill)

Place Mounting Bracket HI-3 and HI-4 to the correct spot on the Side Panel

NOTE: Insert the bolts into the Mounting Bracket then adjust accordingly to the bumper

Mark where the mounting hole is to the bumper

NOTE: Use the hole on top of HI-3 and HI-4 to mark the drill location

Pre-drill into the bumper

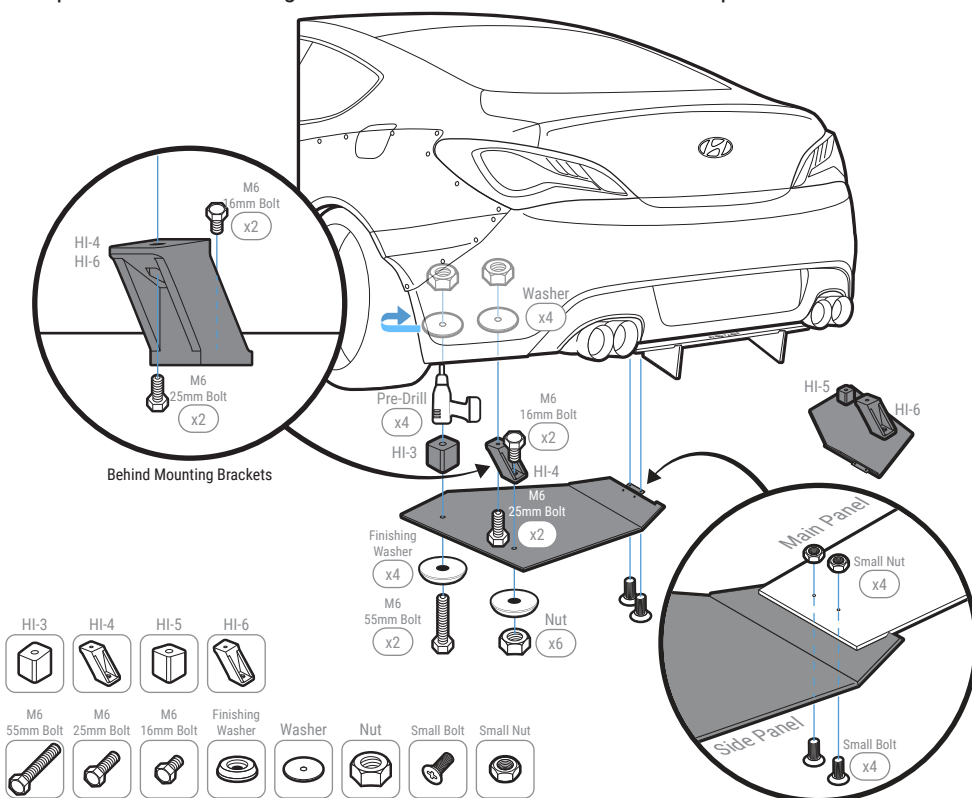
IMPORTANT!: Side Panel must be removed before pre-drilling

Install the Side Panel to the Main Panel and bumper by securing Mounting Bracket HI-3 with provided M6 55mm Bolt, Finishing Washer, Washer, and Nut

Use M6 16mm Bolt, Finishing Washer, and Nut to secure Mounting Bracket HI-4 to the Side Panel and M6 25mm Bolt, Washer, and Nut to mount HI-4 to the bumper

NOTE: Use the sides near the wheels to secure the Washer and Nut inside the bumper

Repeat to install Passenger Side Panel to the Main Panel and bumper



INSTALLATION GUIDE
2009-2016 Hyundai Genesis Coupe
ACM Rear Diffuser

