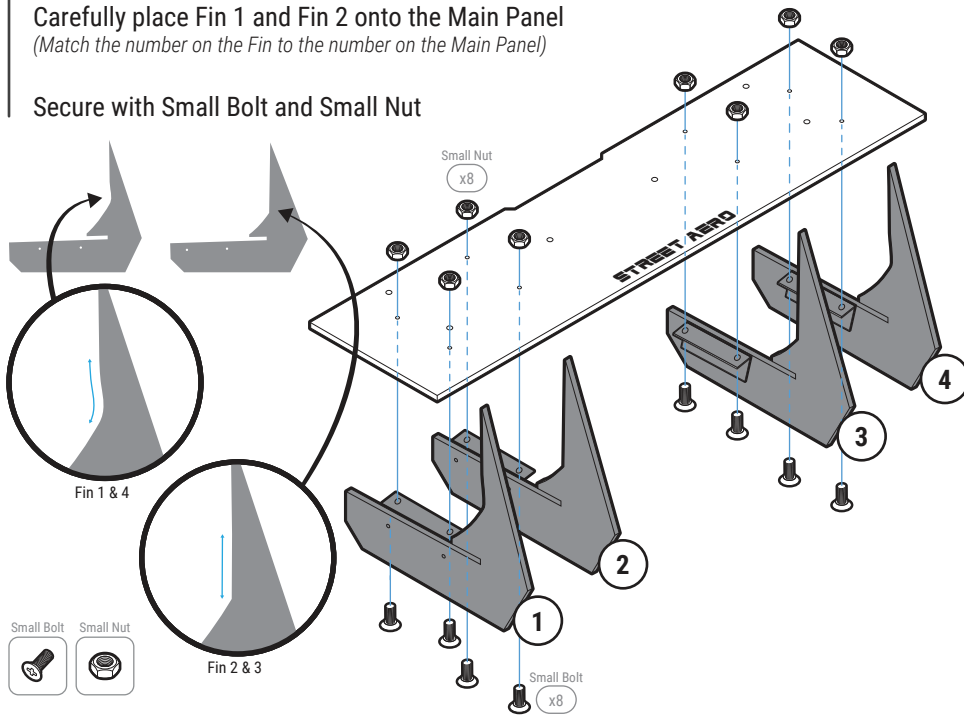


STEP: 1 Assemble Main Panel

Carefully place Fin 1 and Fin 2 onto the Main Panel
(Match the number on the Fin to the number on the Main Panel)

Secure with Small Bolt and Small Nut

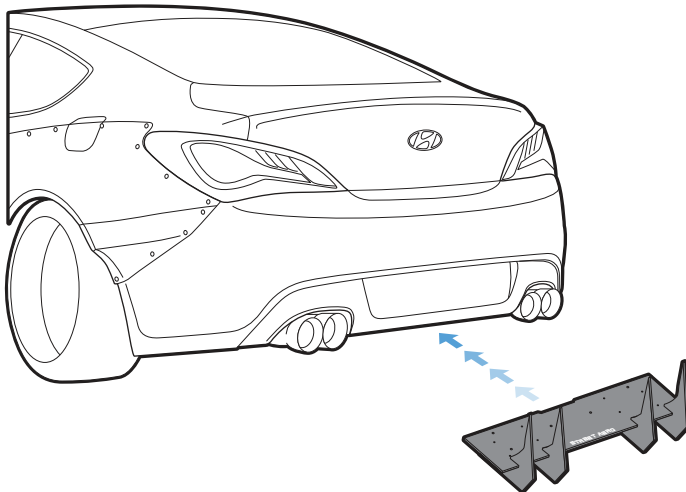


STEP: 2 Align Main Panel

Align the assembled Main Panel to the bumper as centered as possible

Mark the bumper where the 6 mounting spots are located

NOTE: Use the mounting hole on the Main Panel to get the mounting locations



STEP: 3 Install Main Panel

Pre-drill into the bumper where you have marked (in STEP: 2)

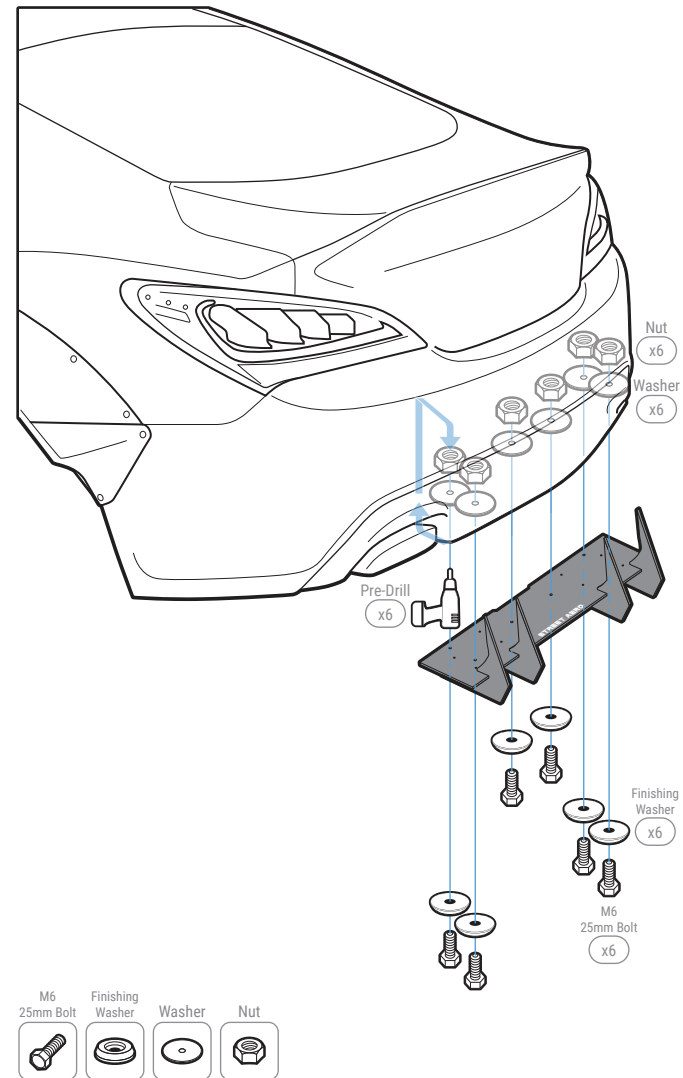
Align the Main Panel under the bumper to its mounting location

NOTE: Align the Main Panel as straight and centered as you can

Secure the Main Panel to the bumper with provided M6 25mm Bolt, Finishing Washer, Washer, and Nut

NOTE: Reach under or to the side to place Washer and Nut inside the bumper

NOTE: If you can not reach inside the bumper to place the Washer and Nut try removing your undershroud



STEP: 4 *Mount the Rear Diffuser*

Align the Side Panel to the bumper

Mark where the Side Panel has the most contact surface to the bumper

Pre-drill 2 mounting holes through the Side Panel and into the bumper

NOTE: We recommend drilling at locations where you can reach to place the Washer and Nut inside the bumper

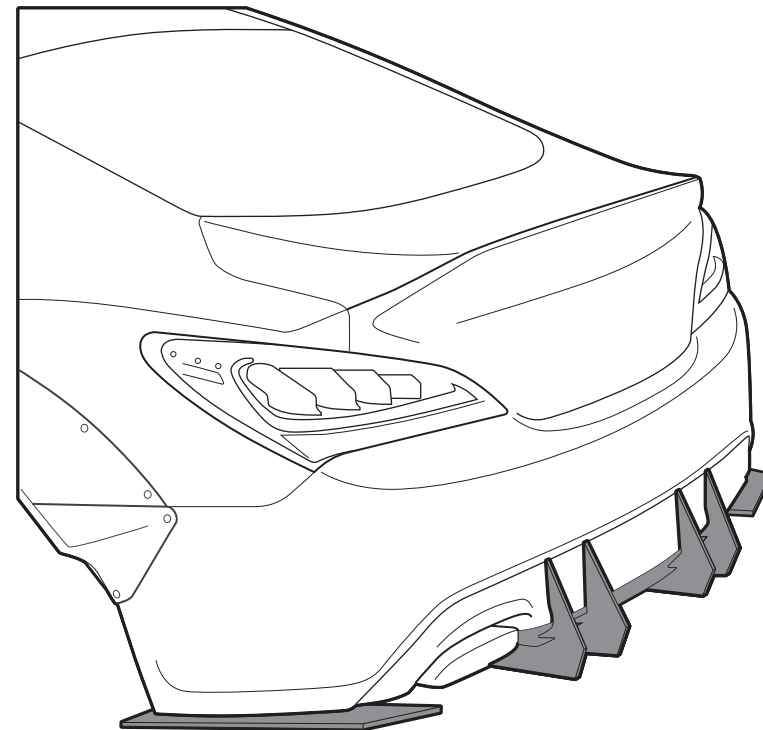
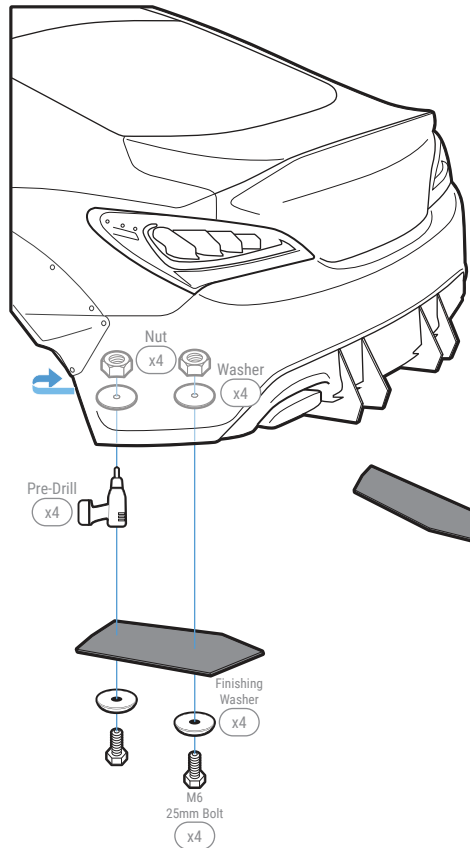
Align the Side Panel and secure it with M6 25mm Bolt, Finishing Washer, Washer, and Nut

NOTE: Reach under or to the side to place Washer and Nut inside the bumper

Repeat to mount the passenger side



INSTALLATION GUIDE
Hyundai Genesis Coupe
Classic Edition
ACM Rear Diffuser



s-rda-hyn-03

www.streetaero.com

info@streetaero.com