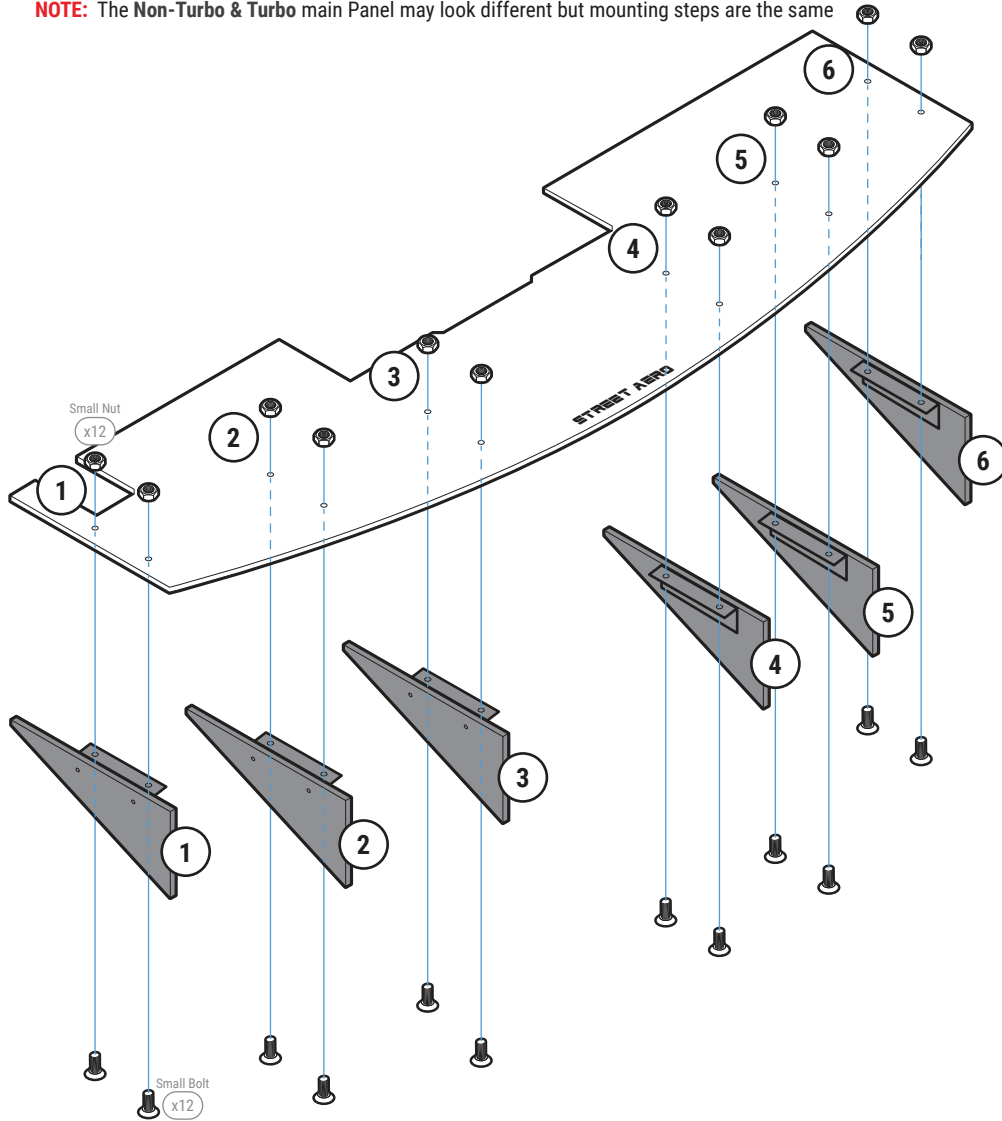


STEP: 1 Assemble Rear Diffuser

Carefully place Fin 1, 2, 3, 4, 5, and 6 onto the Main Panel
(Match the number on the Fin to the number on the Main Panel)

Secure with Small Bolt and Small Nuts

NOTE: The Non-Turbo & Turbo main Panel may look different but mounting steps are the same

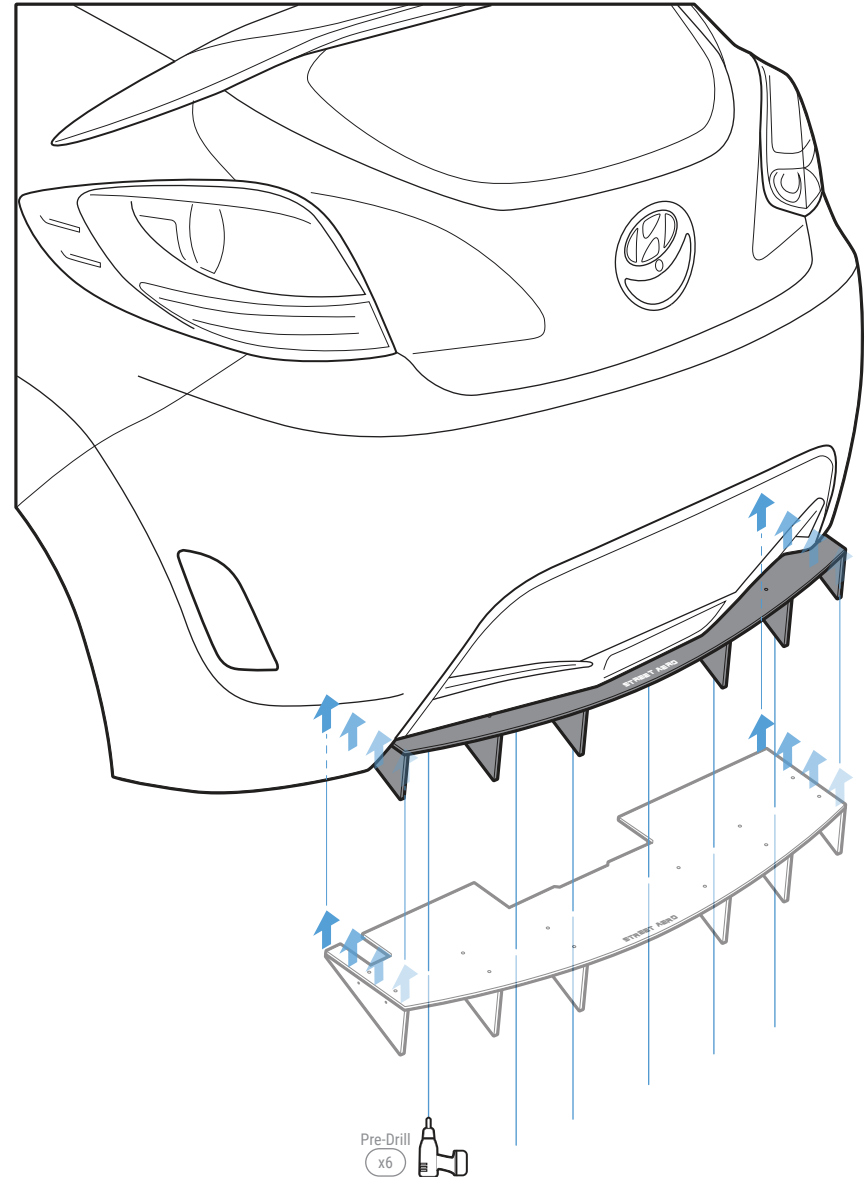


STEP: 2 Pre-drill

Align the assembled Rear Diffuser to the bumper
NOTE: Keep the Rear Diffuser as straight as possible

Find and mark where Rear Diffuser has the most contact surface to the bumper
NOTE: Check to see if you will be able to reach behind the bumper to secure the Rear Diffuser

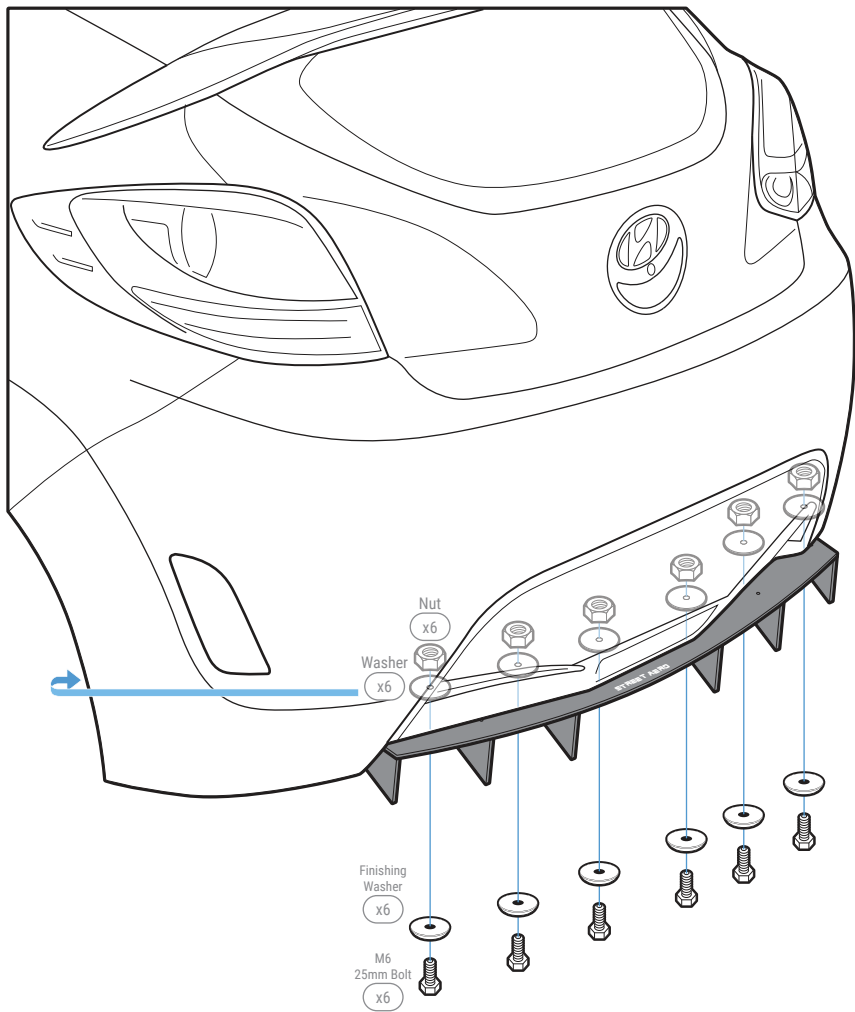
Pre-drill through the Rear Diffuser and into the bumper



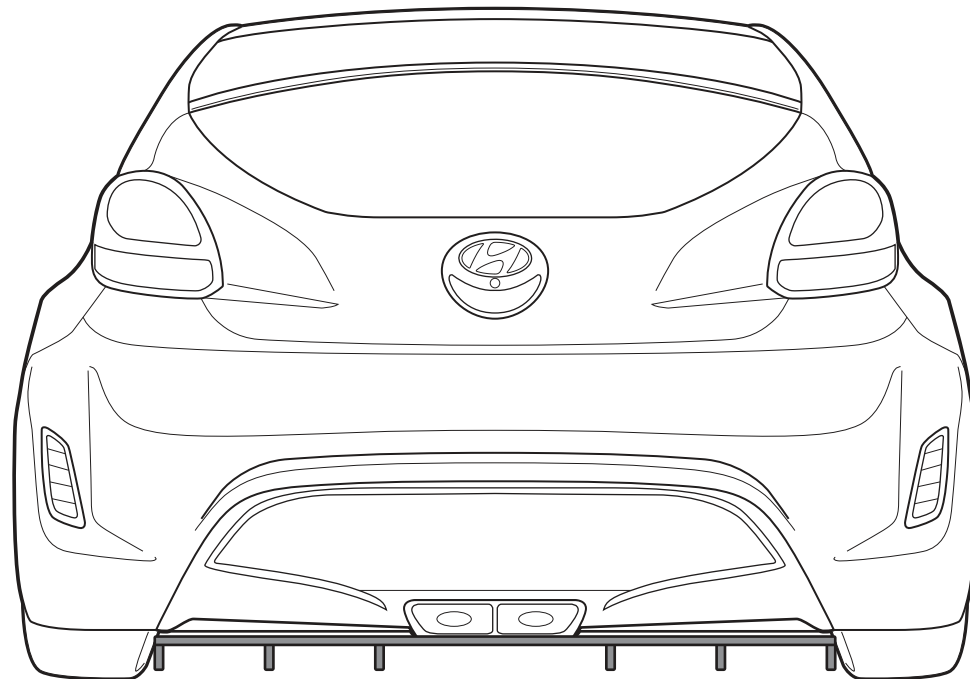
STEP: 3 *Mount the Rear Diffuser*

Secure the Rear Diffuser to the bumper with M6 25mm Bolt, Finishing Washer, Washer, and Nut

NOTE: Reach under or to the side of the bumper to place the Washer and Nut inside the bumper



INSTALLATION GUIDE
2012-2017 Hyundai Veloster
(Non-Turbo & Turbo) Classic Edition
ACM Rear Diffuser



s-rda-hyn-01

s-rda-hyn-02

www.streetaero.com

info@streetaero.com