

# HOW TO

## Measure Side Skirt

### ACM Custom Side Splitter Set

#### STEP: 1 *Measure Side Skirt*

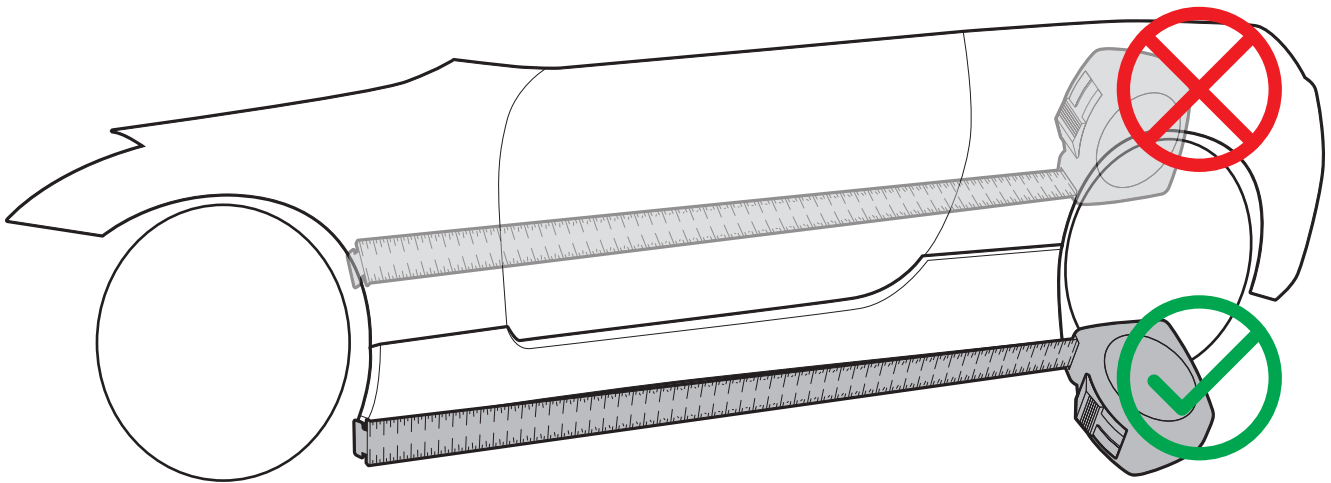
Use a tape measure to measure your side skirt

Position the tape measure from the front to the back end

**NOTE:** We recommend removing the splash guard if possible

Keep the tape measure as straight as possible

**NOTE:** Measure from the very bottom of the side skirt



#### STEP: 2 *Select Side Splitter Length*

Now that you have your side skirt measurements you can place an order for any Street Aero Side Splitters at [www.streetaero.com](http://www.streetaero.com)

Select the Custom Side Splitter style you like

Select the Length in inches

Select your desired add-on options

Place your order and we'll get that order shipped asap!

