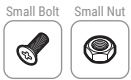
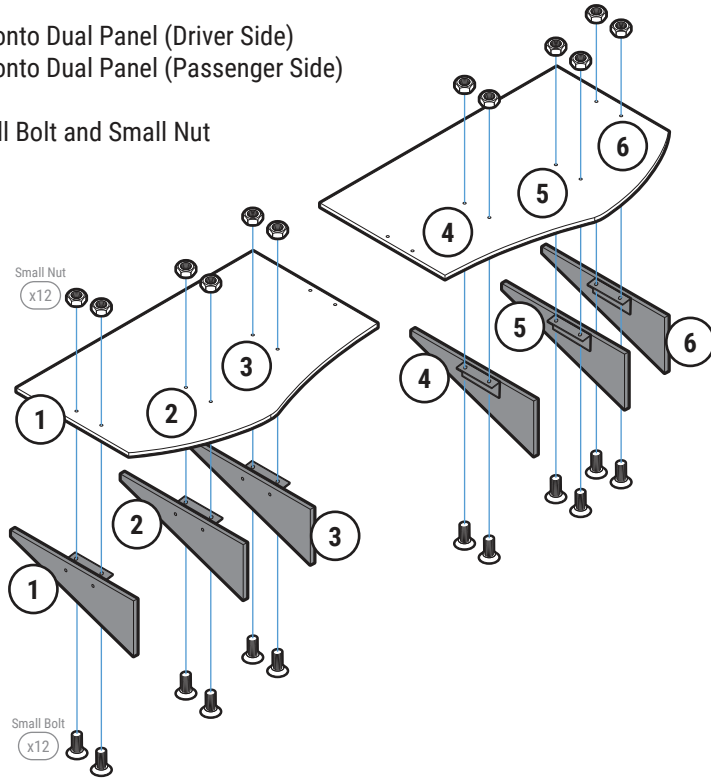


STEP: 1 *Attach Main Fin*

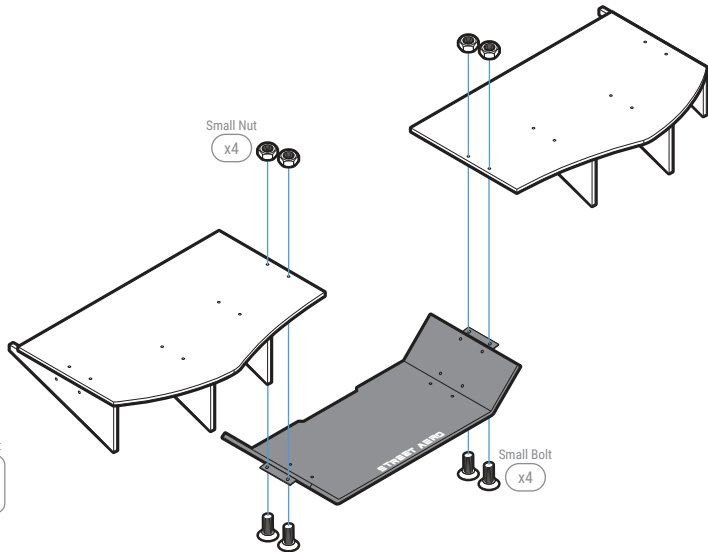
Place Fin 1, 2, 3 onto Dual Panel (Driver Side)
Place Fin 4, 5, 6 onto Dual Panel (Passenger Side)

Secure with Small Bolt and Small Nut



STEP: 2 *Exhaust Panel to Dual Panel*

Attach and secure the Exhaust Panel to the Dual Panel with Small Bolt and Small Nut



STEP: 3 *Install Main Panel*

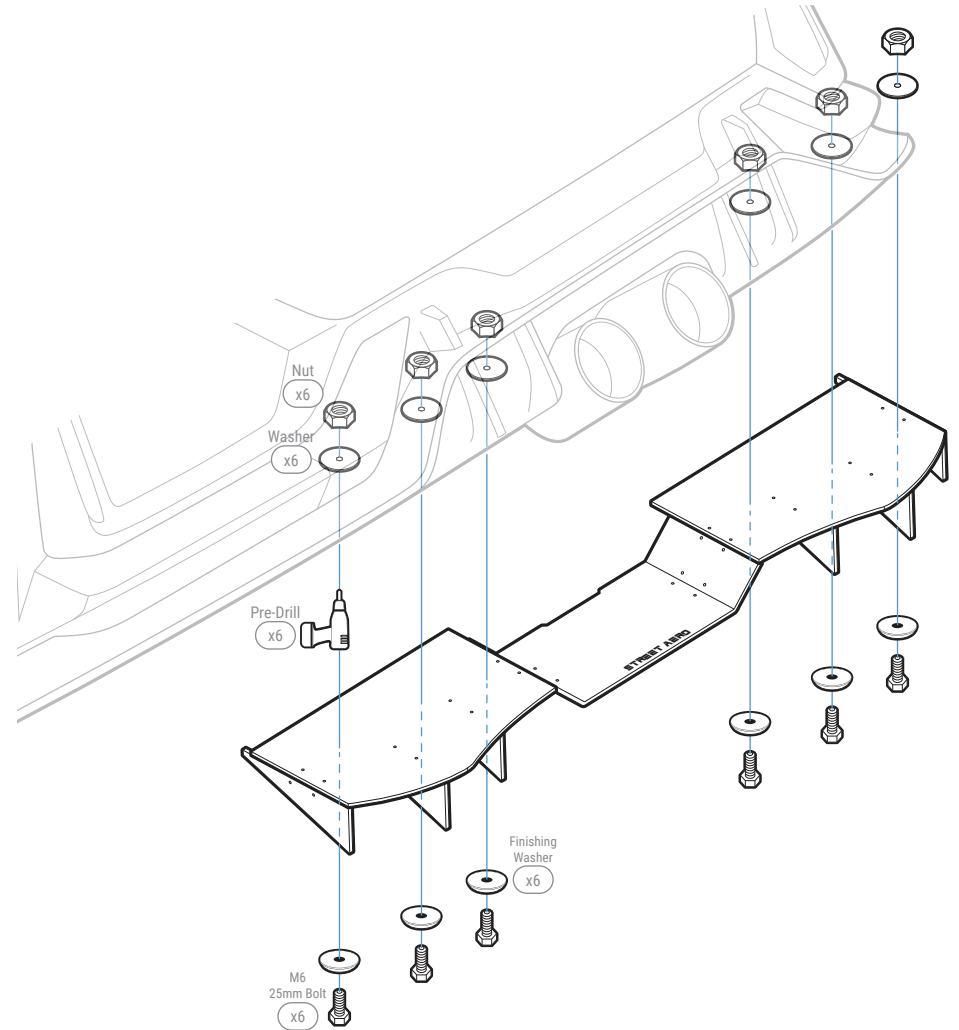
Align the assembled Rear Diffuser to the bumper

Mark where the Rear Diffuser has the most contact to the bumper

Pre-drill through the Rear Diffuser and into the bumper at marked locations

Secure the Rear Diffuser to the bumper with provided M6 25mm Bolt, Finishing Washer, Washer, and Nut

NOTE: Reach under to place Washer and Nut inside the bumper



STEP: 4 *Mount the Rear Diffuser*

Align the Side Fin to the bumper

NOTE: We recommend removing any Splash Guard before installing

Mark where the Side Fin has the most contact to the bumper

Pre-drill through the Side Fin and into the bumper at marked locations

Secure the Side Fin to the bumper with provided M6 25mm Bolt, Finishing Washer, Washer, and Nut

NOTE: Reach under to place Washer and Nut inside the bumper

Repeat to install the Passenger Side Fin

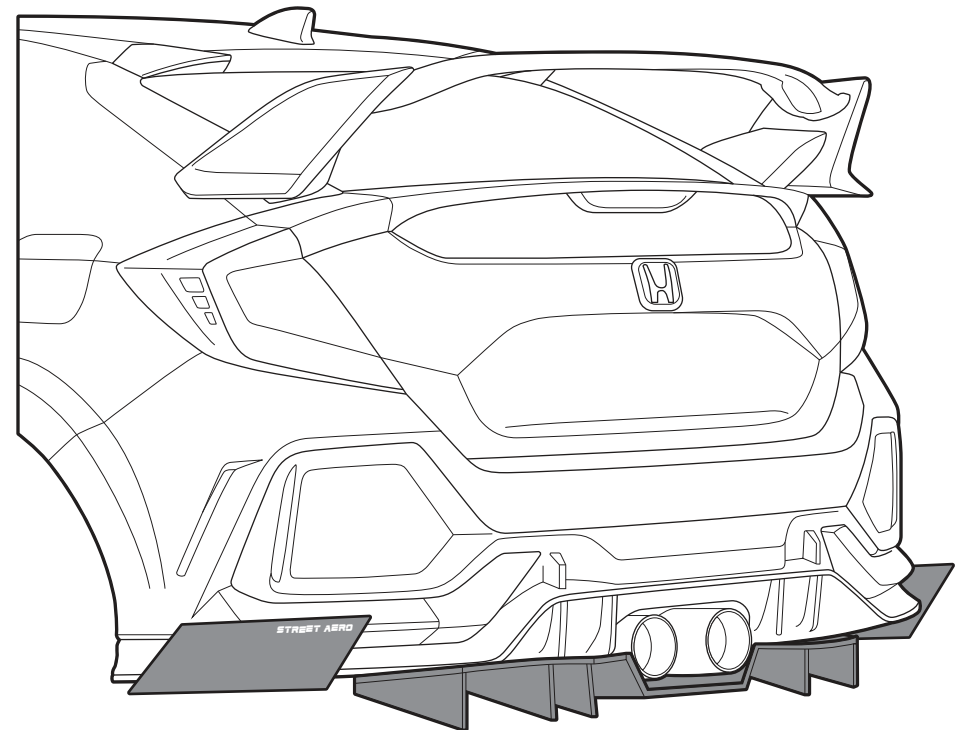
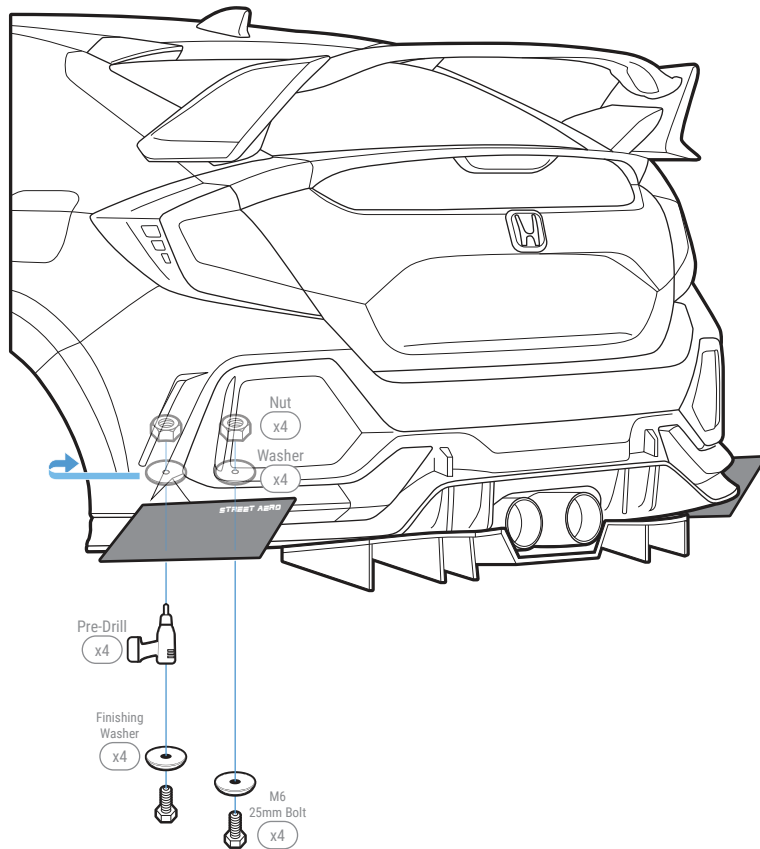


INSTALLATION GUIDE

2017-2018 Honda Civic Hatchback

OG Edition

ACM Rear Diffuser



s-rda-hon-02

www.streetaero.com

info@streetaero.com