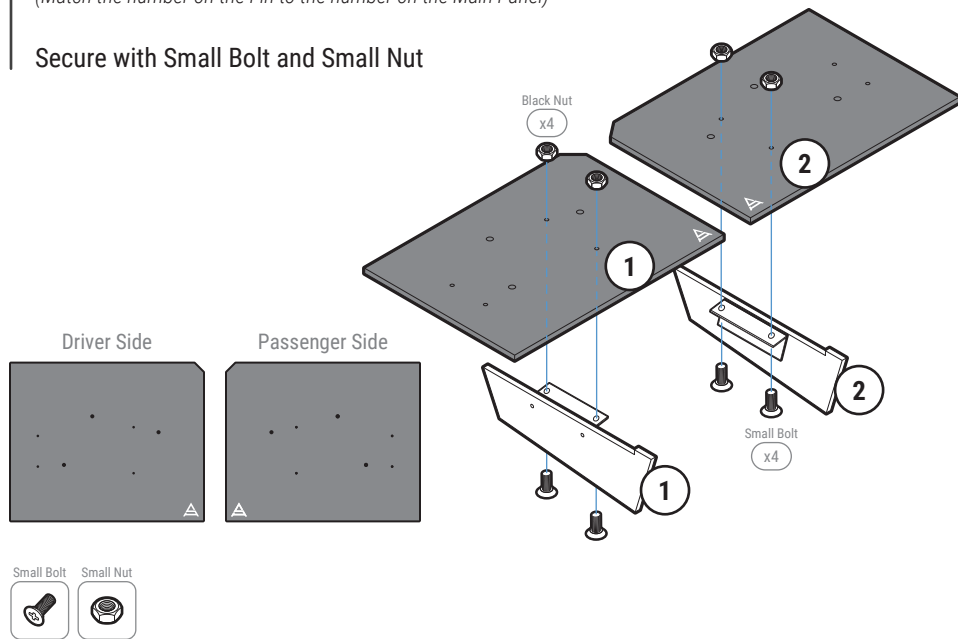


### STEP: 1 Assemble Rear Diffuser

Carefully place Fin 1 onto the Driver Side Main Panel and Fin 2 onto the Passenger Side Main Panel

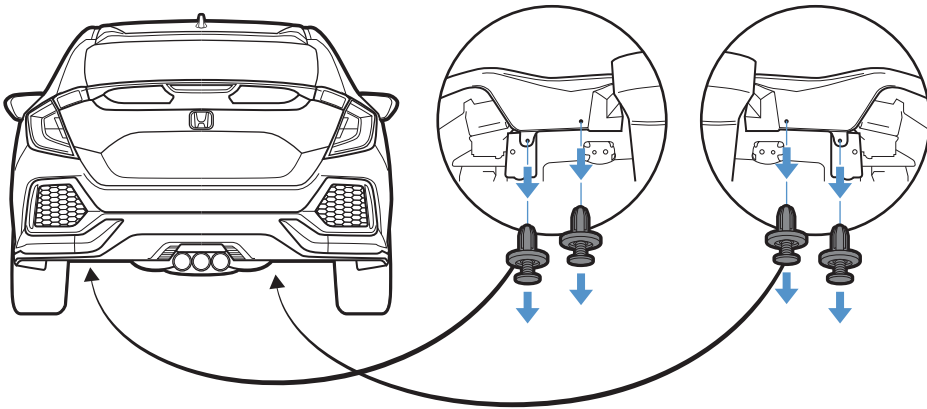
(Match the number on the Fin to the number on the Main Panel)

Secure with Small Bolt and Small Nut



### STEP: 2 Remove OEM Push Pins

Remove the 4 Push Pins under the bumper located on the left and right side of the exhaust



### STEP: 3 Install Mounting Bracket

Use the OEM mounting holes from "STEP: 2" to align and mount the assembled Main Panels to the bumper by securing Mounting Brackets HA-9 with M6 40mm Bolt, Finishing Washer, Washer and Nut

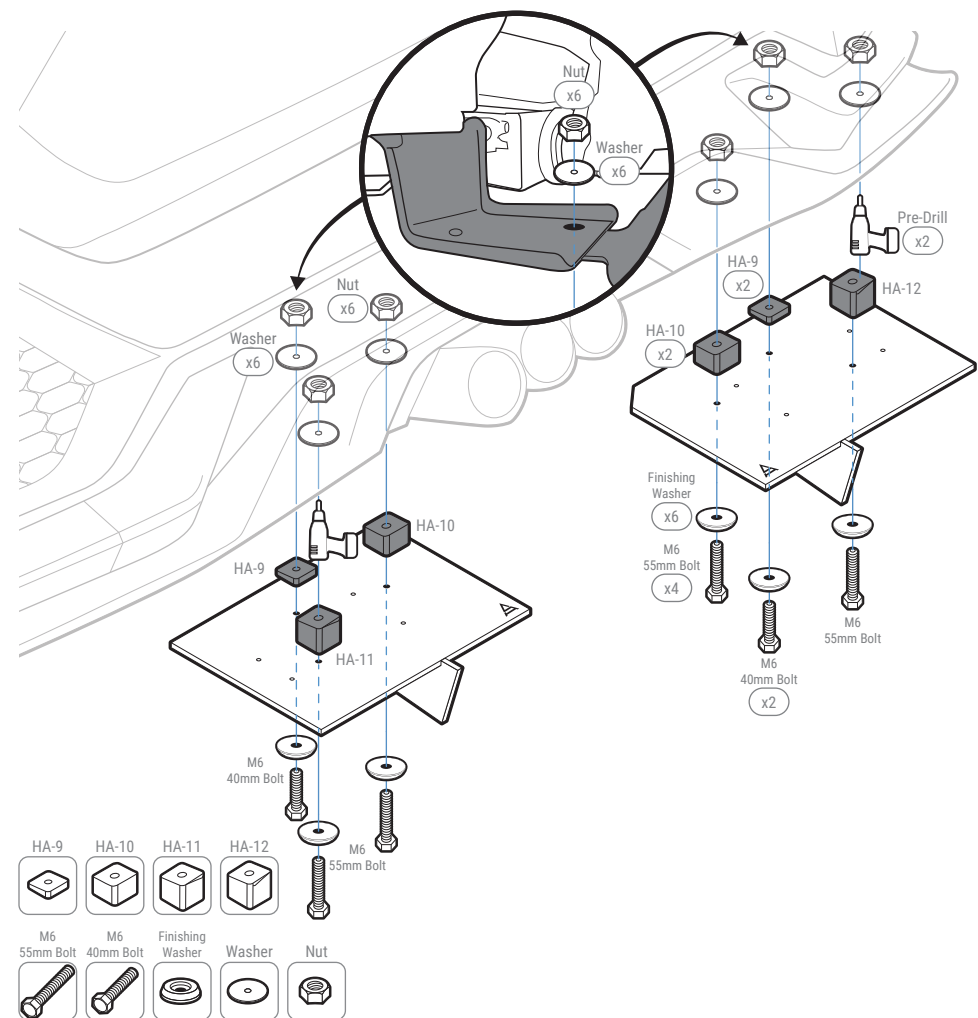
**NOTE:** Reach under or to the side of the bumper to place the Washer and Nut inside the bumper

Continue with OEM mounting by securing Mounting Brackets HA-10 with M6 55mm Bolt, Finishing Washer, Washer and Nut

**NOTE:** Reach under or to the side of the bumper to place the Washer and Nut inside the bumper

Align Mounting Brackets HA-11 and HA-12 to its correct mounting location on the Main Panel then mark and pre-drill through the bumper and securing with M6 55mm Bolt, Finishing Washer, Washer and Nut

**NOTE:** Reach under or to the side of the bumper to place the Washer and Nut inside the bumper



**IMPORTANT: DO NOT** over tighten or use power tools to mount the Mounting Brackets

## STEP: 4 *Mount the Rear Diffuser*

Remove the Push Pins located on the left and right side of the bumper shown below

Attach Mounting Bracket HA-13 and HA-14 to the Side Panel and secure with M6 16mm Bolt, Finishing Washer, and Nut

**NOTE:** Use the sides near the wheels to secure the Washer and Nut inside the bumper

Attach the Side Panel to the Main Panel with Small Bolt and Small Nut

**NOTE:** Do Not tighten Small Bolt on the Side Panel to the Main Panel  
(you may need to remove the Side Panel to pre-drill)

Align the Side Panel to the bumper

**NOTE:** Use the OEM Mounting Hole as a guide to position Mounting Bracket HA-13 and HA-14 to the bumper

Mark and pre-drill into the bumper where Mounting Bracket HA-14 will be installed

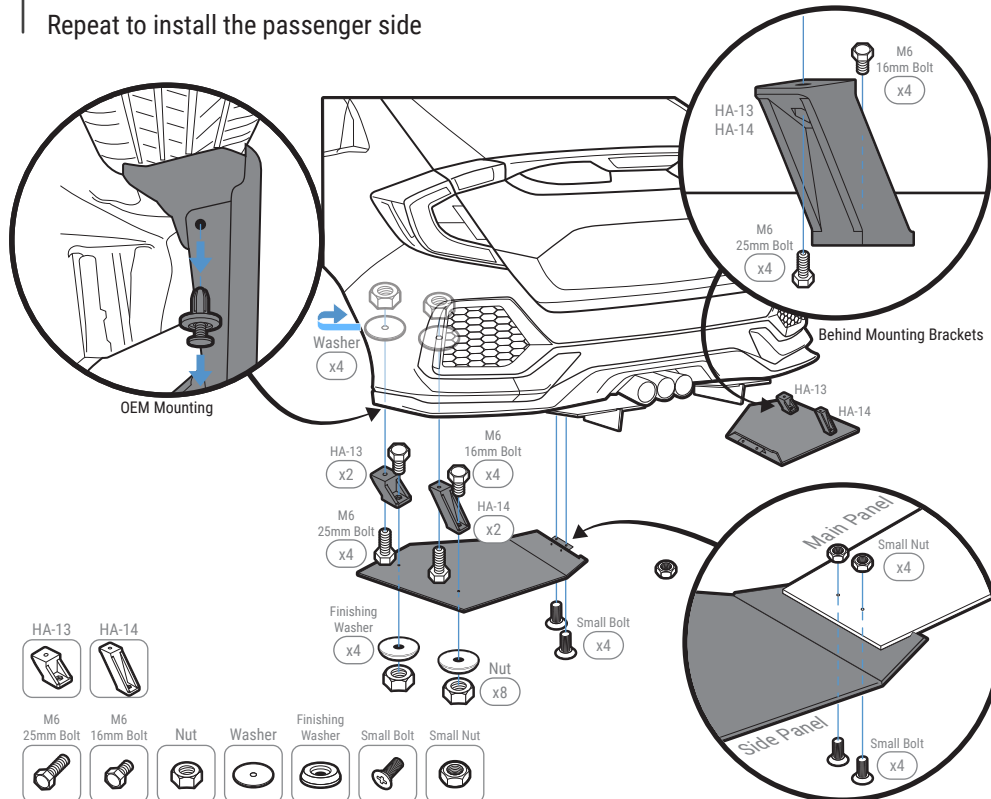
**NOTE:** Place Mounting Bracket HA-14 its correct spot then use the hole on top to mark the drill location

Mount the Side Panel to the bumper by securing Mounting Bracket HA-13 and HA-14 with M6 25mm Bolt, Washer, and Nut

**NOTE:** Install Mounting Bracket HA-13 to the OEM Mounting Hole

**NOTE:** Use the sides near the wheels to secure the Washer and Nut inside the bumper

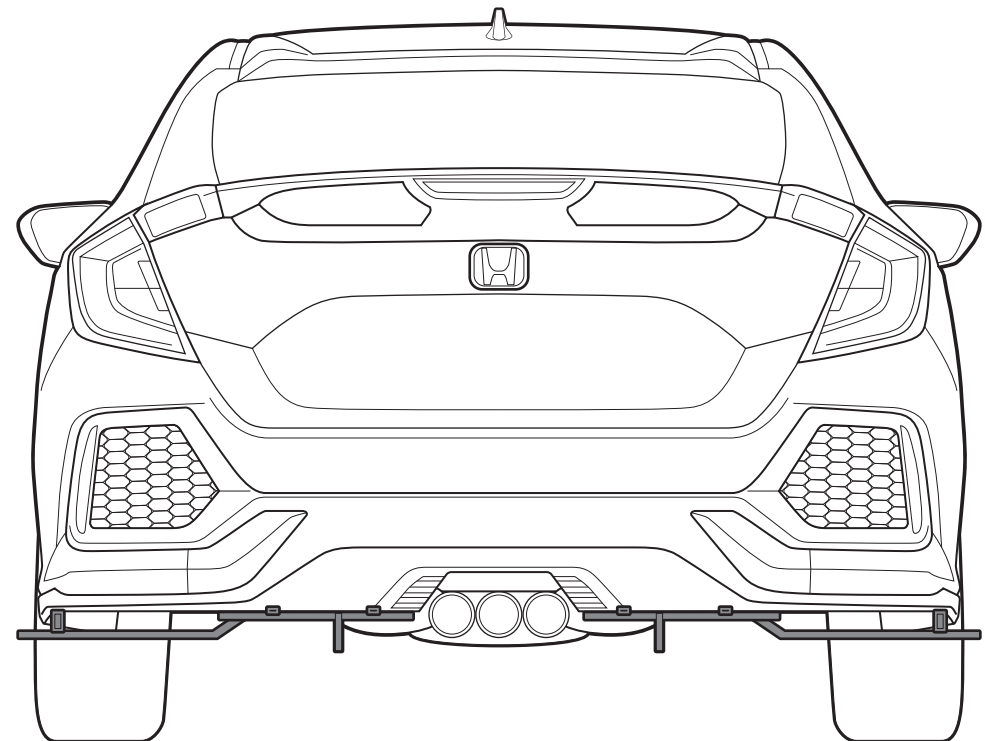
Repeat to install the passenger side



# INSTALLATION GUIDE

## 2017-2021 Honda Civic Hatchback Sport

### ACM Rear Diffuser



s-rda-hon-02-e1

www.streetaero.com

