



## INSTRUCTIONS

### Rear Diffuser

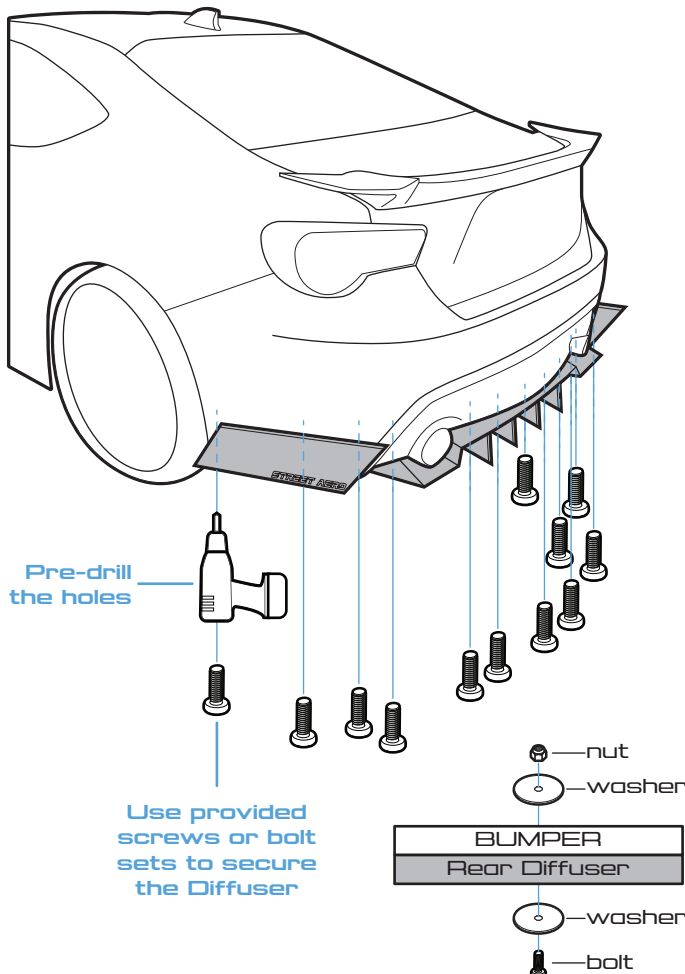
#### General Instruction

Every Rear Diffuser is slightly different, these are **general instructions** use as a reference on how to mount and install your Rear Diffuser

#### STEP: 2

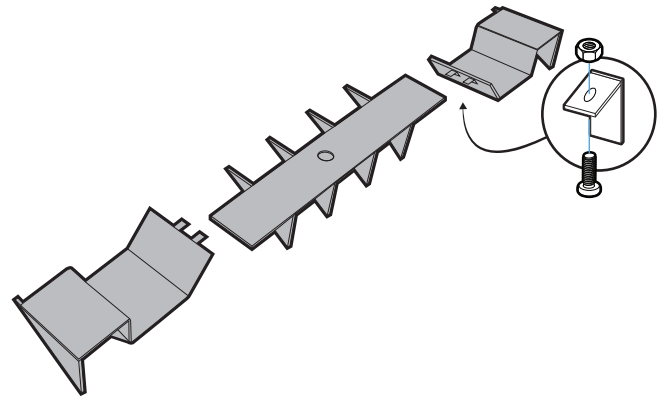
Position the Rear Diffuser to the bumper or lower valence

Check our website ([www.streetaero.com](http://www.streetaero.com)) for references, positioning, and placement of the Rear Diffuser



#### STEP: 1

Some Rear Diffuser would need to be assembled before being mounted (if the parts are numbered assemble the parts to its corresponding number)



#### STEP: 3

Find the best contact points between the Rear Diffuser and the bumper

Pre-drill the holes through the Rear Diffuser into the bumper

Use provided hardware to secure the Rear Diffuser to the bumper

#### Rear Side Fins

if your Rear Diffuser comes with Side Fins repeat **STEPS 2 & 3** for installation

- If your Rear Diffuser comes with **screws** use the screws to mount the Rear Diffuser directly to the bumper

- If your Rear Diffuser comes with **bolts** mount the Rear Diffuser with the bolts as shown in the diagram